

Customer Information Sheet

DRAWING No.: R40-300XX02

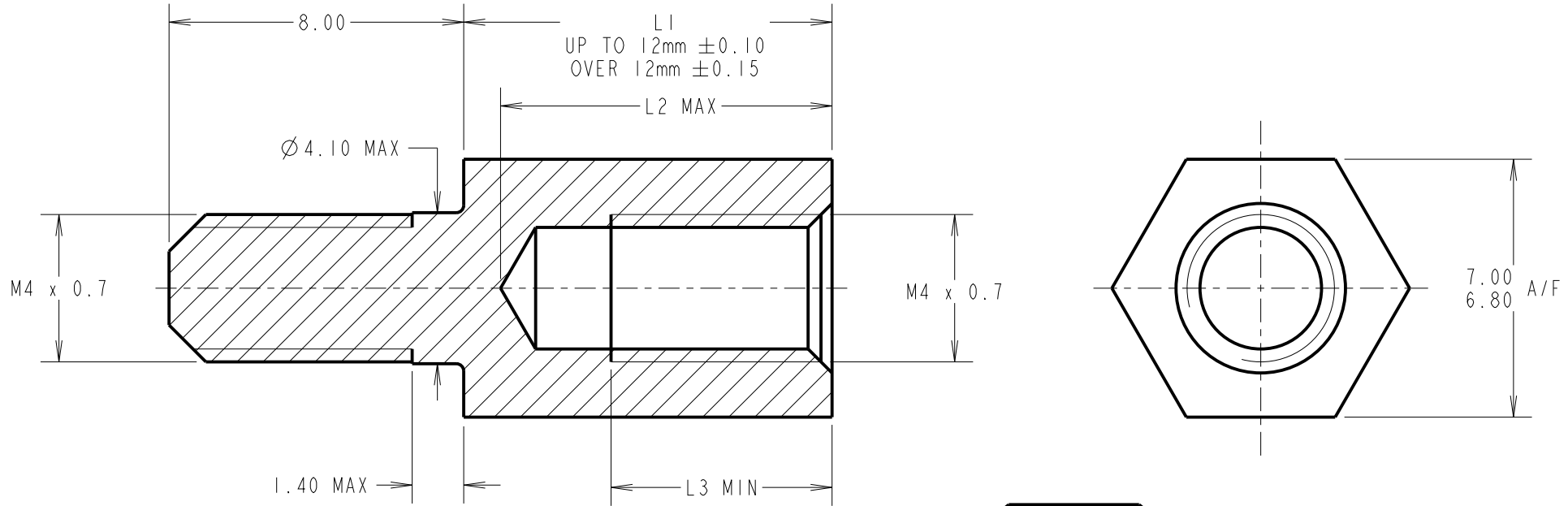
IF IN DOUBT - ASK

©

NOT TO SCALE

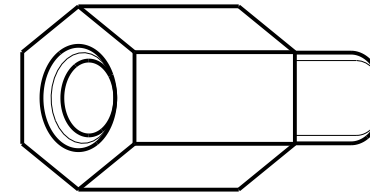
THIRD ANGLE PROJECTION

ALL DIMENSIONS IN mm



PART No.	L1	L2	L3
R40-3000602	6.00	5.3	2.50
R40-3000702	7.00	6.3	3.50
R40-3000802	8.00	7.3	4.50
R40-3000902	9.00	8.3	5.50
R40-3001002	10.00	9.3	6.50
R40-3001102	11.00	10.3	8.00
R40-3001202	12.00	10.8	8.00
R40-3001302	13.00	12.0	8.00
R40-3001402	14.00	12.0	8.00
R40-3001502	15.00	12.0	8.00

PART No.	L1	L2	L3
R40-3001602	16.00	12.0	8.00
R40-3001802	18.00	12.0	8.00
R40-3002002	20.00	12.0	8.00
R40-3002502	25.00	12.0	8.00
R40-3003002	30.00	12.0	8.00
R40-3003502	35.00	12.0	8.00
R40-3004002	40.00	12.0	8.00
R40-3004602	46.00	12.0	8.00
R40-3006302	63.00	12.0	8.00



ORDER CODE:
R40-300XX02
LENGTH L1 IN mm _____

MGP	6	03.11.22	32023
NAME	ISS.	DATE	CN/CO
APPROVED: MGP			
CHECKED: MR			
DRAWN: P. COLLINS			
CUSTOMER REF.:			
ASSEMBLY DRG:			

HARWIN

www.harwin.com
technical@harwin.com

THIS DRAWING AND ANY INFORMATION OR DESCRIPTIVE MATTER SET OUT HEREON ARE CONFIDENTIAL AND COPYRIGHT PROPERTY OF THE HARWIN GROUP AND MUST NOT BE DISCLOSED, LOANED, COPIED OR USED FOR MANUFACTURING, TENDERING OR FOR ANY OTHER PURPOSE WITHOUT THEIR WRITTEN PERMISSION.

TOLERANCES

X. = ±1mm
X.X = ±0.50mm
X.XX = ±0.20mm
X.XXX = ±0.01mm
ANGLES = ±5°
UNLESS STATED

MATERIAL:

BRASS CW614N M TO BS EN 12164
(CuZn39Pb3)

FINISH: NICKEL

S/AREA: mm²

TITLE:

M4 HEXAGONAL
MALE/FEMALE SPACER

DRAWING NUMBER:

R40-300XX02

SHT
2 OF 2