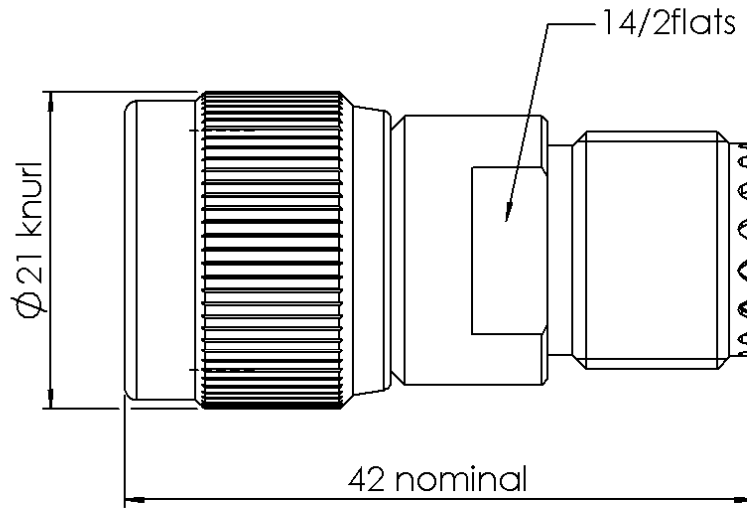


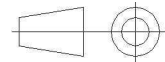
**N MALE - UHF FEMALE STRAIGHT ADAPTER**

**R191.731.000**

Série : ADAPT



All dimensions are in mm.



| COMPONENTS            | MATERIALS              | PLATING (µm)    |
|-----------------------|------------------------|-----------------|
| <b>BODY</b>           | <b>BRASS</b>           | <b>NICKEL 2</b> |
| <b>CENTER CONTACT</b> | <b>BRASS</b>           | <b>SILVER 5</b> |
| <b>OUTER CONTACT</b>  | -                      | -               |
| <b>INSULATOR</b>      | <b>PTFE</b>            |                 |
| <b>GASKET</b>         | <b>SILICONE RUBBER</b> |                 |
| <b>OTHERS PARTS</b>   | <b>BRASS</b>           | <b>NICKEL 2</b> |
| -                     | -                      | -               |
| -                     | -                      | -               |

**Issue : 1013 L**

In the effort to improve our products, we reserve the rights to make changes judged to be necessary.



**N MALE - UHF FEMALE STRAIGHT ADAPTER**

**R191.731.000**

Série : ADAPT

**PACKAGING**

**SPECIFICATION**

| Standard | Unit              | Other             |
|----------|-------------------|-------------------|
|          | <b>'W' option</b> | <b>Contact us</b> |

**ELECTRICAL CHARACTERISTICS**

**ENVIRONMENTAL**

|                                 |                   |                            |
|---------------------------------|-------------------|----------------------------|
| Impedance                       | <b>50</b>         | $\Omega$                   |
| Frequency                       | <b>0-0.5</b>      | GHz                        |
| VSWR                            | - + <b>0,0000</b> | x F(GHz) Maxi              |
| Insertion loss                  |                   | - $\sqrt{F}$ (GHz) dB Maxi |
| RF leakage                      | - (               | - F(GHz)) dB Maxi          |
| Voltage rating                  |                   | - Veff Maxi                |
| Dielectric withstanding voltage | <b>2000</b>       | Veff mini                  |
| Insulation resistance           | <b>5000</b>       | M $\Omega$ mini            |

|               |                 |              |
|---------------|-----------------|--------------|
| Operating     | <b>-55/+155</b> | $^{\circ}$ C |
| Hermetic seal | <b>NA</b>       | Atm.cm3/s    |
| Panel leakage | <b>NA</b>       |              |

**MECHANICAL CHARACTERISTICS**

**OTHER CHARACTERISTICS**

|                            |                |               |
|----------------------------|----------------|---------------|
| Center contact retention   |                |               |
| Axial force – Mating end   | <b>27</b>      | N mini        |
| Axial force – Opposite end | <b>27</b>      | N mini        |
| Torque                     | <b>NA</b>      | N.cm mini     |
| Recommended torque         |                |               |
| Mating                     | <b>N</b>       | <b>0</b> N.cm |
|                            | <b>UHF</b>     | <b>0</b> N.cm |
|                            | <b>-</b>       | <b>0</b> N.cm |
| Panel nut                  | <b>NA</b>      | N.cm          |
| Mating life                | <b>500</b>     | Cycles mini   |
| Weight                     | <b>41,0000</b> | g             |

Issue : 1013 L

In the effort to improve our products, we reserve the rights to make changes judged to be necessary.

