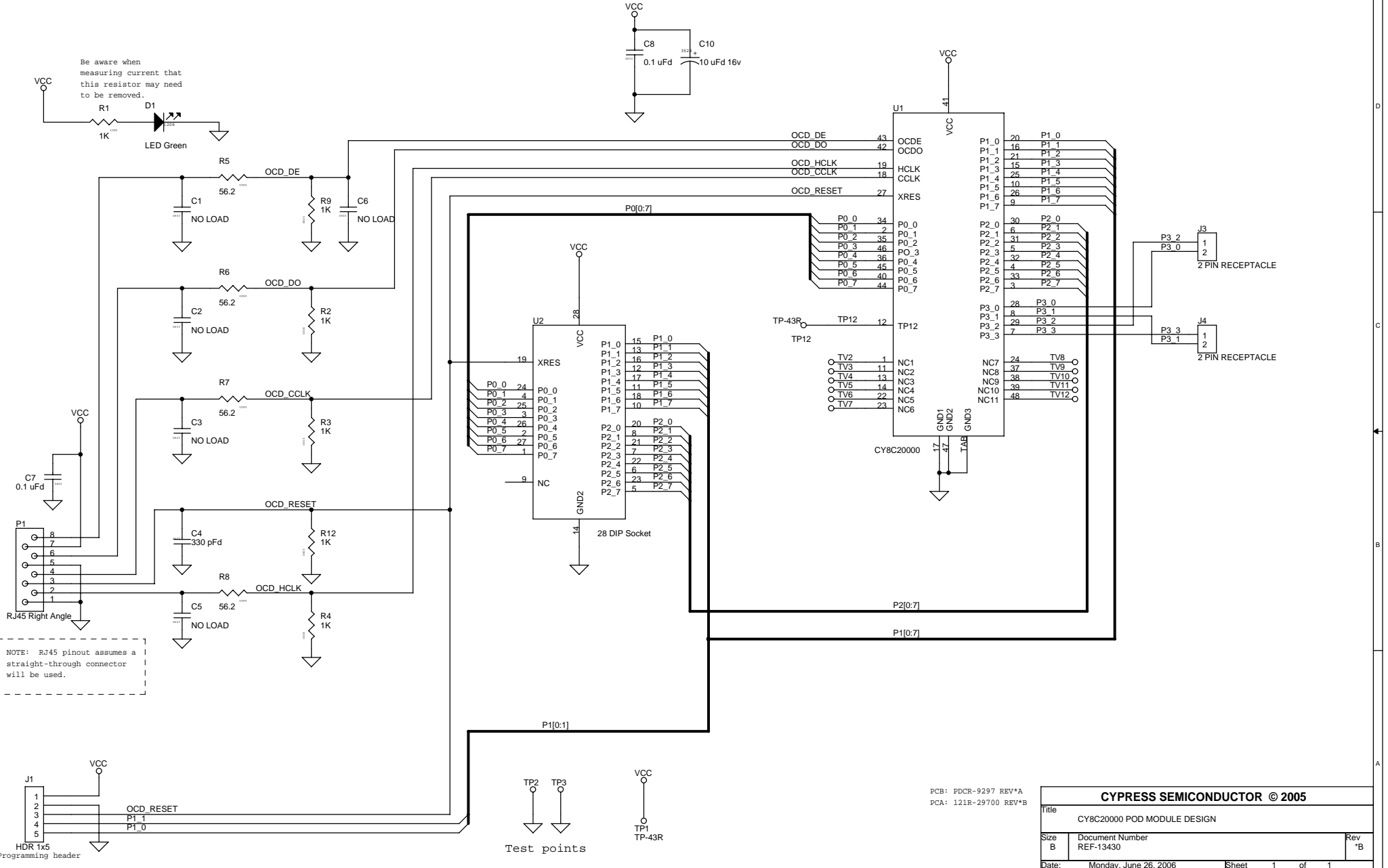
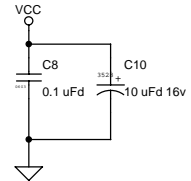


Be aware when measuring current that this resistor may need to be removed.



PCB: PDCR-9297 REV*A
PCA: 121R-29700 REV*B

| | | |
|--------------------------------------|------------------------------|-----------|
| CYPRESS SEMICONDUCTOR © 2005 | | |
| Title CY8C20000 POD MODULE DESIGN | | |
| Size B | Document Number REF-13430 | Rev *B |
| Date: Monday, June 26, 2006 | Sheet 1 | of 1 |