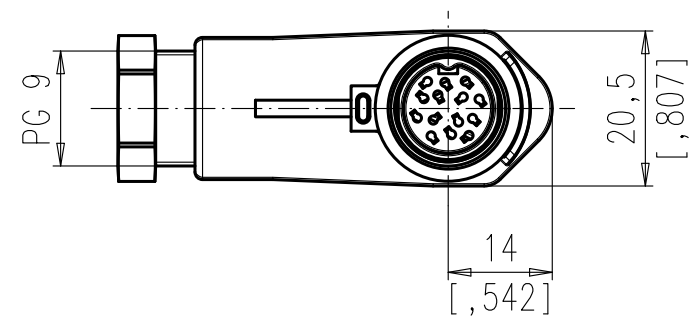
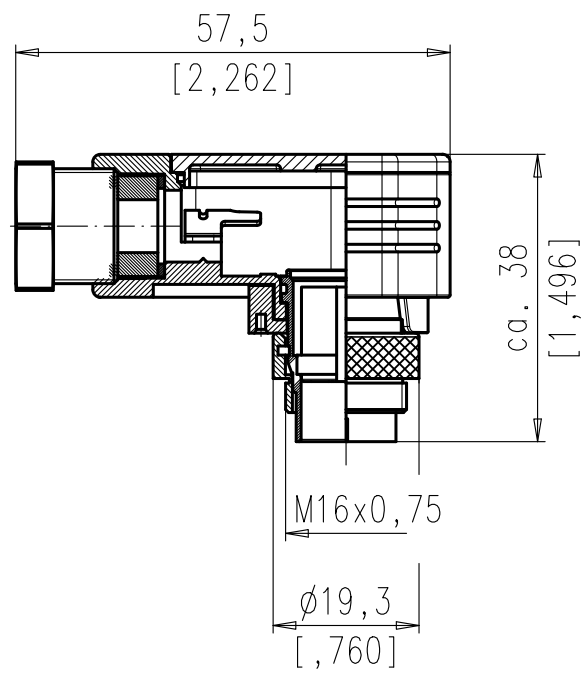


Copying of this document and giving it to others and the use or communication of the contents thereof, are forbidden without express authority. Offenders are liable to the payment of damages. All rights are reserved in the event of the grant of a patent or the registration of the utility model or design.



D	Polzahl number of contacts	Norm standard	14
	Kontaktanordnung nach DIN contact arrangement acc. to DIN		/
	Kontaktanordnung nach IEC contact arrangement acc. to IEC		/
	Bemessungsspannung rated voltage	IEC 60664-1	150V =
	Bemessungsspannung rated voltage	UL 1977	60V
	Bemessungs-Stoßspannung rated impulse withstand voltage	IEC 60664-1	1200V
	Verschmutzungsgrad pollution degree	IEC 60664-1	1
	Überspannungskategorie installation category	IEC 60664-1	I
C	Isolierstoffgruppe insulation group	IEC 60664-1	II, 400 ≤ CTI < 600
	Strombelastbarkeit current rating	IEC 60512-5-2 Test 5b UL 1977	3A / +40°C / +104°F
	Isolationswiderstand insulation resistance	IEC 60512-3-1 Test 3a	>10 <sup>10</sup> Ω
	Durchgangswiderstand contact resistance	IEC 60512-2-1 Test 2a	< 5m Ω
	Prüfklasse climatic category	IEC 60668-1	40/100/56
	Temperaturbereich temperatur range		- 40°C ... +100°C - 40°F ... +212°F
B	IP-Schutzart IP-degree	IEC 60529	IP 67
	Steck- und Ziehkraft insertion and withdrawal forces	IEC 60512-13-2 Test 13b	50 N
	Mechanische Lebensdauer mechanical operation	IEC 60512-9-1 Test 9a	silber/silver ≥ 500 Steckzyklen/mating cycles gold/gold ≥ 1000 Steckzyklen/mating cycles
	Werkstoff Gehäuse housing material		Zink-Druckguß Oberfläche vernickelt die cast, nickel plated
	Werkstoff Kontaktträger dielectric material		Thermoplast thermoplastic
	Werkstoff Dichtung sealing material		Neoprene neoprene
	Kontaktoberfläche contact plating		versilbert/vergoldet * silver plated/gold/plated
	Anschlusstechnik termination technique		crimp
A	Anschlussquerschnitt wire gauge		Crimp: 0,09 - 0,25 mm <sup>2</sup>
	Brennbarkeit flamability		UL 94 V0
	Verriegelung locking system	IEC 60130-9	Schrauben; Anzugsmoment 0,5 - 0,7Nm metal screw coupling; tightening torque 0,5 - 0,7Nm

Do not connect or disconnect under load. Metal housing parts shall be securely incorporated to protected ground.

please order contact separately acc. to M-N 01 010 0158 XXX U parts according to directive 2002/95/EG (RoHS)

All technical data have been measured in a laboratory environment and can be different during practical usage of the product. Any product information is for descriptive usage only and not legally binding; particularly the information does not constitute or provide any legal guaranties ("Beschaffenheitsgarantie" or "Haltbarkeitsgarantie").

Gewicht (errechnet)/ Calc WT: 9		Zul. Abw./Tolerances:		Maßstab/Scale 1:1		A3			
Prüfmaß/Testdimension				CUSTOMER DRAWING					
Teileindex Partindexnumber		15		Datum/Date		Name		Kabelstecker PG9	
		Gez.		01.06.		Rock.Lin		male cable connector	
		Gepr.							
		Checked							
01		201500409		01.06.15		RL		<b>Amphenol-Tuchel Electronics GmbH</b>	
Index		Änderung/Description		Datum/Date		Name		M C091 11K014 001 2 U	
								Blatt/Sheet 1 1 Bl.	
								Ers. f./Similar to:	