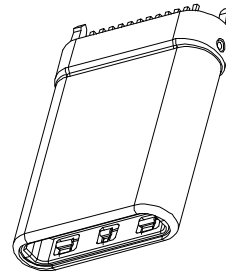
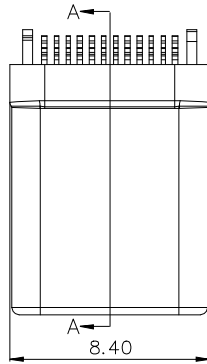
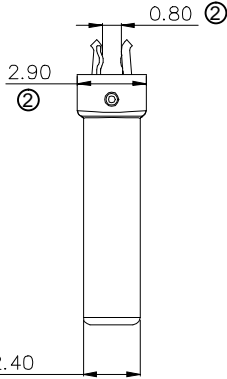
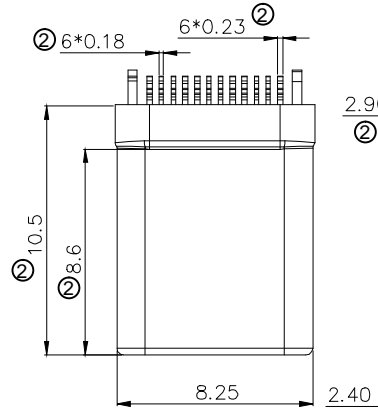
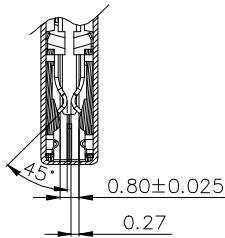
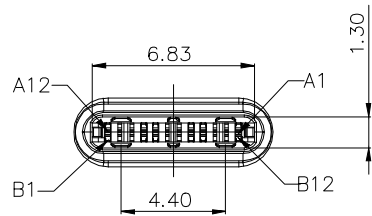


PCB LAYOUT

- ② NOTES:
1. MATERIAL  
See drawing BOM
  2. MECHANICAL  
INSERTION FORCE: 5-20N  
EXTRACTION FORCE: 8-20N(INITIAL); 6-20N(AFTER 10000cycles)  
DURABILITY: 10000 CYCLES MIN
  3. ELECTRICAL  
CURRENT RATING: 5A  
CONTACT RESISTANCE: 40mΩ MAX  
INSULATION RESISTANCE: 100MΩ MIN 100V DC  
WITHSTANDING VOLTAGE: 100V AC Minute.
  4. WETTING PROPERTY: TEMPERATURE 250±5 °C, TIME OF 5±0.5s
  5. Packing:Tube



WSW P/N	Contact plating
AUSB1-DMN-GSP1	Gold Flash
AUSB1-DMN-HSP3	30u" Au



② DETAIL A-A

NO.	DESCRIPTION	QTY.	MATERIAL	TREATMENT
⑤	EMI SPRING	1	STAINLESS STEEL	CLEAN.
④	GND LATCH	1	STAINLESS STEEL	NICKEL PLATED OVERALL,TAB WITH LEAD FREE TIN ALLOY
③	CONTACT	24	COPPER ALLOY	NICKEL UNDERPLATING OVER ALL, GOLD PLATING CONTACT AREA.LEAD FREE TIN ALLOY AT TERMINATION.
②	SHELL	1	STAINLESS STEEL	NICKEL PLATED
①	HOUSING	2	THERMOPLASTIC UL 94V-0	LCP Black

**RoHS compliant**  
Unit: mm

Scale	Free				Date	Name	Customer-No.
① TOLERANCE					Drawn	30.06.2016	Winnie
X.	±0.38				Approved	25.10.2021	Luca
X.X	±0.30						
X.XX	±0.25	② Update dimensions & notes	25.10.2021	Luca			
DIM	TOL	① Change of production plant	04.01.2019	Xavier			
X.°	±3°	① Drawn	30.06.2017	Winnie			
.X°	±1°						
① Angle	TOL	Id.	Modification	Date	Name		



ASSMANN WSW-No. <b>AUSB1-DMN-xSPx</b>	
Drawing-No. <b>ASS 7660 CO</b>	rev02
Replace	Sheet 1/1

1

2

3

4

5

6

7