

6

5

4

3

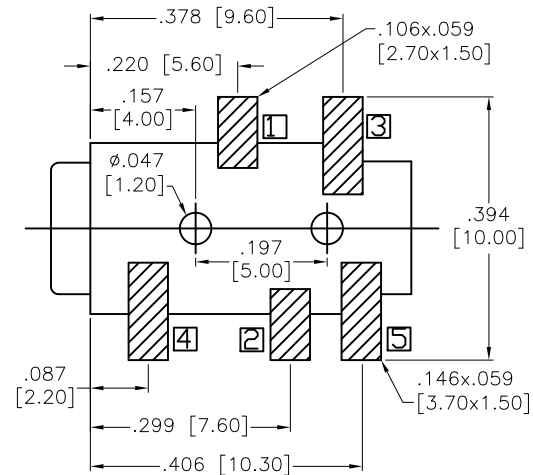
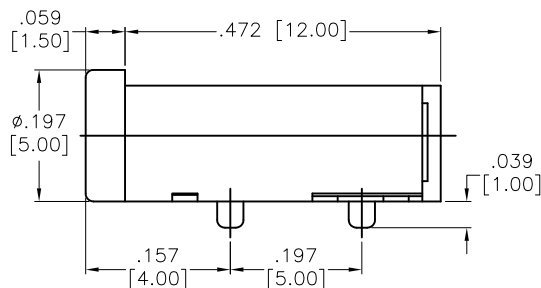
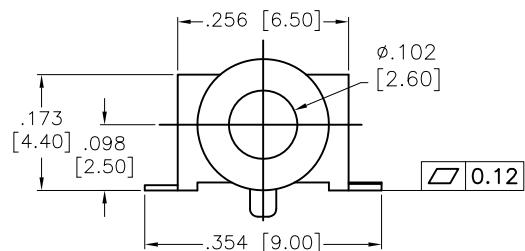
2

1

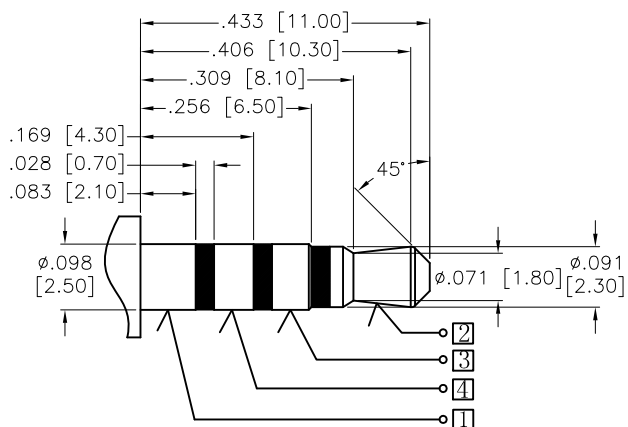
APPROVED: _____

DATE: _____ TITLE: _____

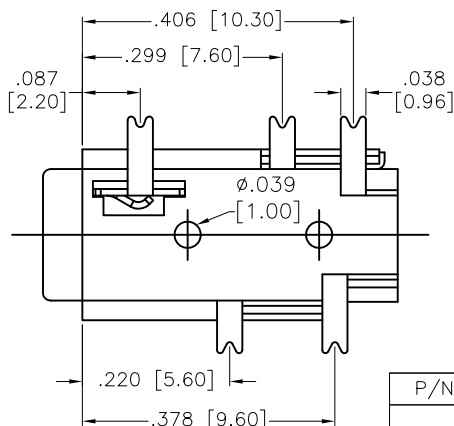
Rev	AWO #	Description	Date	Appr
-		RELEASED	11/16/18	



RECOMMENDED PCB LAYOUT



Matching Plug



P/N	ASJ-103-J-T/R	ASJ-103-M-T/R	ASJ-103-D-T/R
Schematic code			

SPECIFICATIONS:

Material:

Insulator: Hi-temp thermoplastic, rated UL 94V-0

Insulator color: Black

Spring: Copper Alloy

Contacts: Brass

Plating:

Gold flash over Copper underplate

Electrical:

Rating: 30VDC, 0.5A

Contact resistance: 50 mohms max.

Insulation resistance: 100 Mohms min. @ 500 VDC

Dielectric withstanding voltage: 500 VAC

Temperature Rating:

Operating temperature: -20°C to +70°C

Environmental:

Lead free, RoHS compliant.



PACKAGED ON TAPE & REEL

UNLESS OTHERWISE SPECIFIED ALL DIMENSIONS ARE INCHES [MM] TOLERANCES: EXCEPT AS NOTED INCHES HOLES .X ± .10 ØX ± .10 .XX ± .020 ØXX ± .015 .XXX ± .015 ØXXX ± .010		ADAM TECH INTERCONNECTS 909 Rahway Avenue, Union, NJ 07083 Phone: 908-687-5000 Fax: 908-687-5710	
APPROVALS DRAWN: _____ HR: _____ DATE: 11/16/18 CHECKED: AC1 DATE: 11/16/18 APPROVED: _____		TITLE: STEREO PHONE JACK, 2.5mm SIZE: X PART NO.: ASJ-103-X-T/R REV.: - REF: S00002C SCALE: NTS SHEET 1 OF 1	

6

5

4

3

2

1