



Electrical Specifications

Band 1: 815 MHz
Band 2: 860 MHz
Bandwidth: Fo ± 9 MHz
Insertion Loss: 2.0 dB Max
VSWR in BW: 1.40:1 Max
Ripple in BW: 1.0 dB Max
Band 1 Attenuation: >55 dBc @ 550 MHz
 >15 dBc @ 770 MHz
 >20 dBc @ 837 MHz
Band 2 Attenuation: >18 dBc @ 837 MHz
 >32 dBc @ 925-1000 MHz
 >50 dBc @ 1700 MHz
Isolation: >60 dB @ 870-880 MHz
 >60 dB @ 825-835 MHz
In/Out Impedance: 50 Ω
Power Handling: 5 W

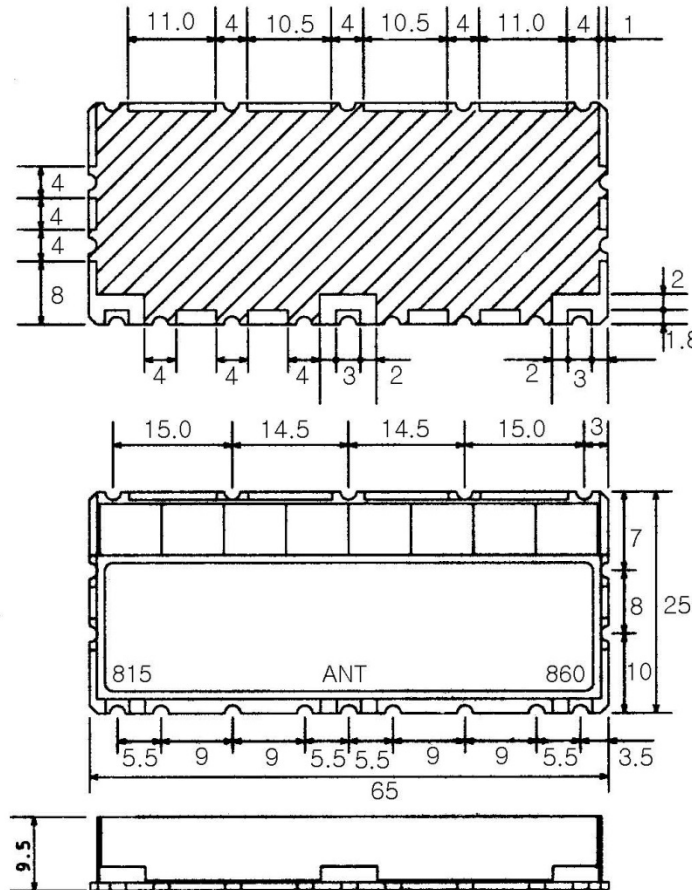
Mechanical

Mounting Method: SMT
Dimensions: 65 x 25 x 9.5 mm

Environmental

Operating Temperature: -40 to +85° C
Storage Temperature: -50 to +95° C
Shock: 20 G. 11 ms
Vibration: 20 G. 5 to 200 MHz

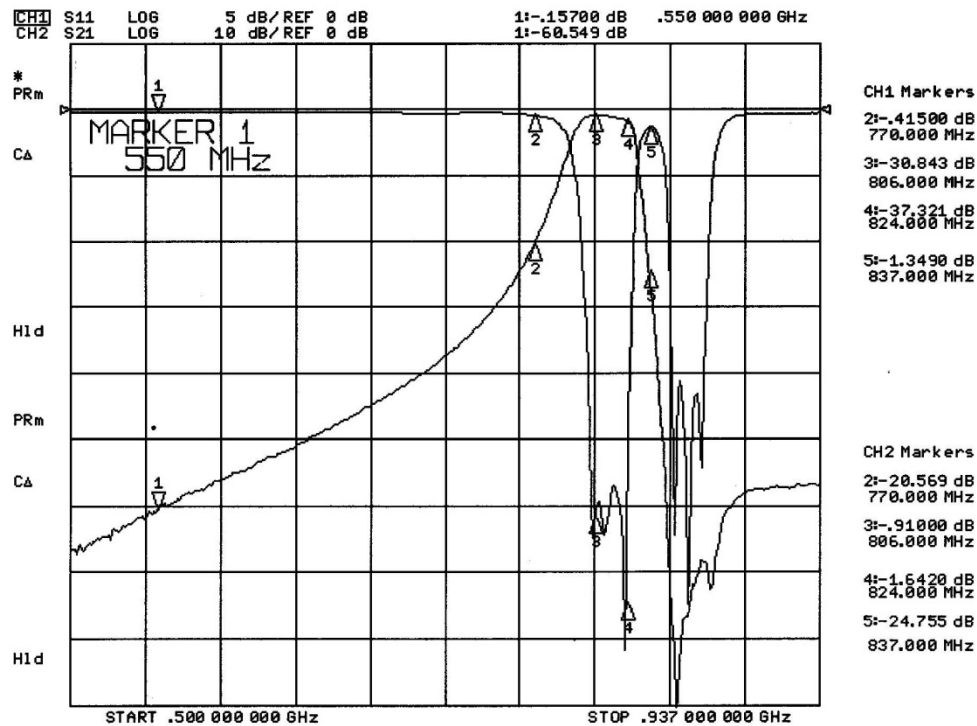
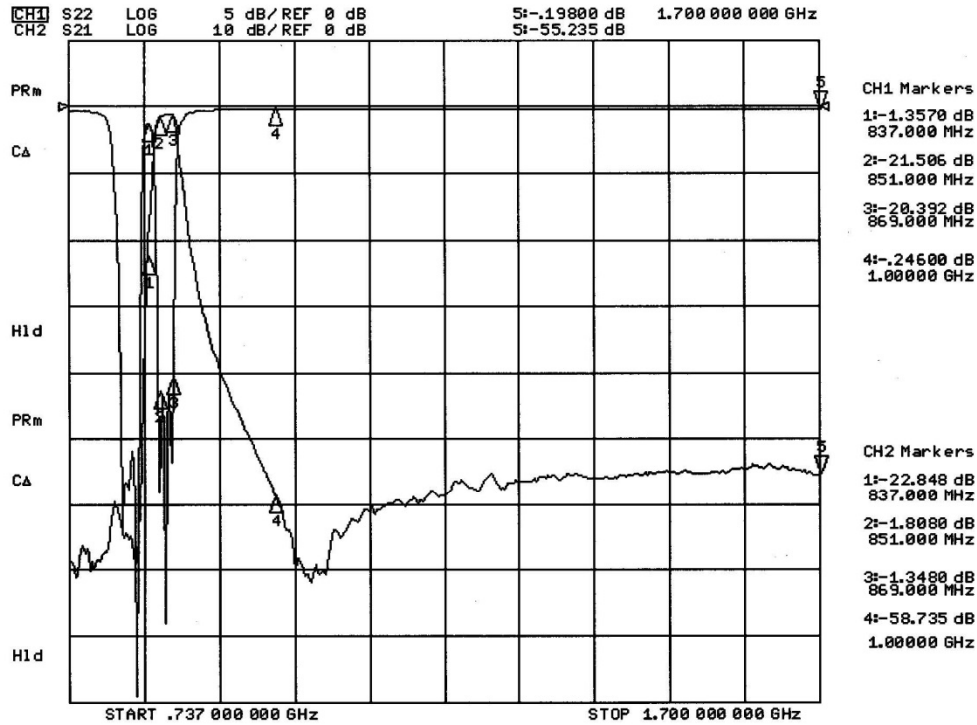
Outline Drawing:



Unit : mm



Response Plot:





Response Plot:

