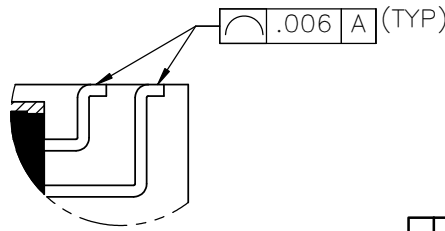
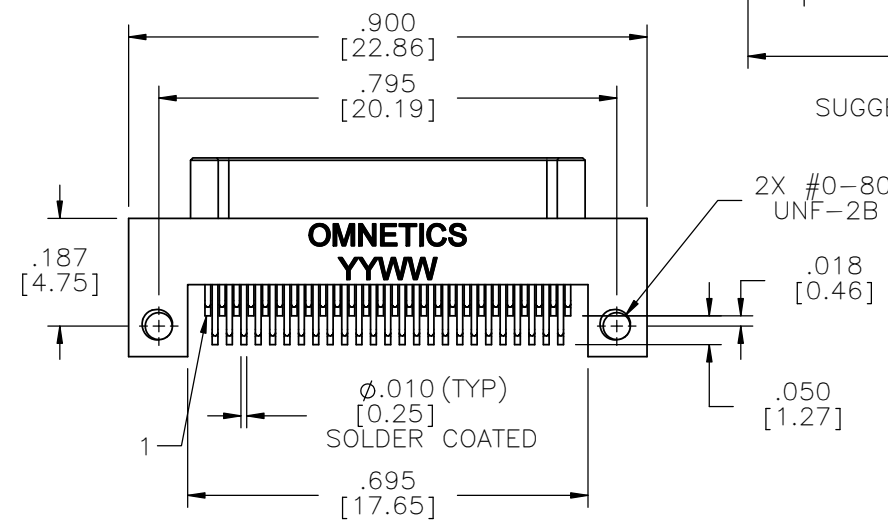
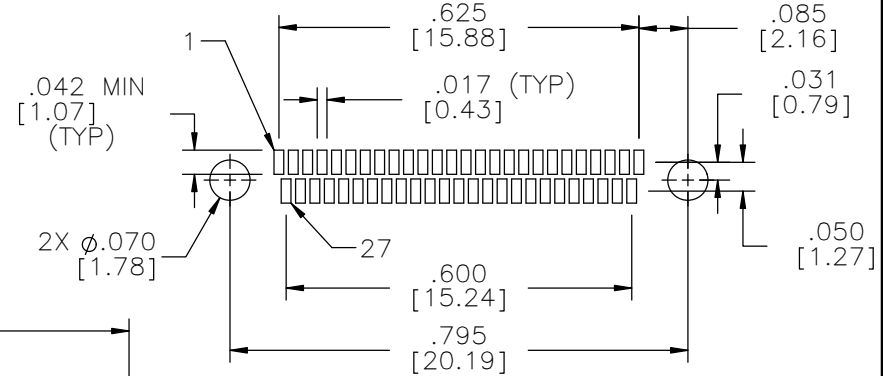
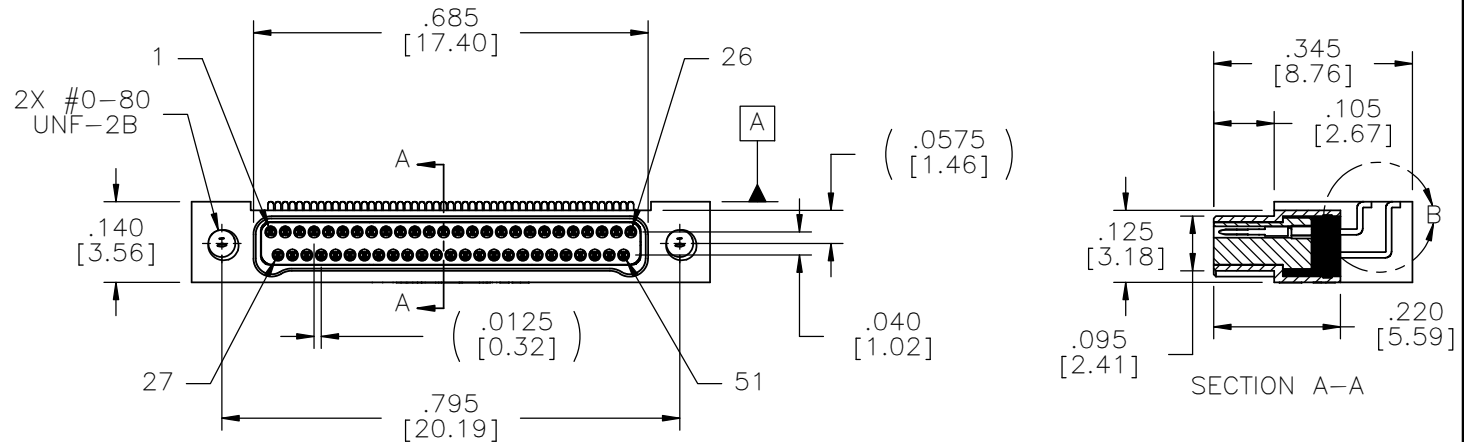


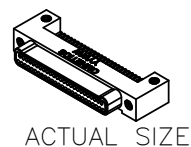
# MATERIALS & SPECIFICATIONS

- HOUSING:**  
ALUMINUM 6061-T6, NICKEL PLATE PER AMS-C-26074
- INSULATOR:**  
LIQUID CRYSTAL POLYMER (LCP) PER ASTM D5138
- CONTACT:**  
BERYLLIUM COPPER PER ASTM B194, C17200, GOLD PLATED PER ASTM B488, (HARD GOLD) TYPE II CODE C, CLASS 1.27
- TERMINATION:**  
SOLDER COATED WITH SN63A PER J-STD-006 OR AMS-P-81728
- CURRENT RATING:**  
1 AMP MAX PER MIL-DTL-32139
- CONTACT RESISTANCE:**  
71 MILLIOHM MAX (71mV DROP MAX) @ 1.0 AMPS PER MIL-DTL-32139
- PERFORMANCE:**  
PRODUCT FAMILY TESTED TO AND PASSED THE PERFORMANCE SPECIFICATIONS OF TABLE VIII OF MIL-DTL-32139

PART NO.	A28100-051	REV	ECO	DATE	APP
		G	96463	01-30-10	TLM



DETAIL B  
SCALE 6 : 1



ACTUAL SIZE

MNP/SLDW	THIRD ANGLE $\phi$ $\equiv$	THIS DRAWING CONTAINS CONFIDENTIAL AND PROPRIETARY INFORMATION WHICH IS THE PROPERTY OF OMNETICS CONNECTOR CORP. THIS DOCUMENT MAY NOT, IN WHOLE OR IN PART, BE DUPLICATED, OR DISCLOSED FOR ANY PURPOSE, WITHOUT WRITTEN PERMISSION FROM OMNETICS CONNECTOR CORP.		<h2>OMNETICS</h2> <p>CONNECTOR CORPORATION</p> <p>7260 COMMERCE CIRCLE EAST MINNEAPOLIS, MN 55432 WWW.OMNETICS.COM</p>	CAGE CODE <b>61873</b>	
	-TOLERANCES-	DFTM. AAS	DATE 05-05-04		TITLE: (51) PIN MALE Bi-Lobe® CONNECTOR	DWG NO. <b>A28100-051</b>
	UNLESS OTHERWISE NOTED	CHK'D.	DATE			SHEET 1 OF 1
	DIMENSIONS IN INCHES	APP'D.	DATE			REV G
	2 PL DEC ± .01				SCALE: 3:1	
	3 PL DEC ± .005					
	4 PL DEC ± .0005					
	ANGLES ± 1°					