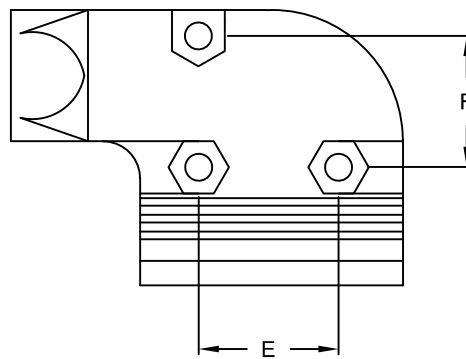
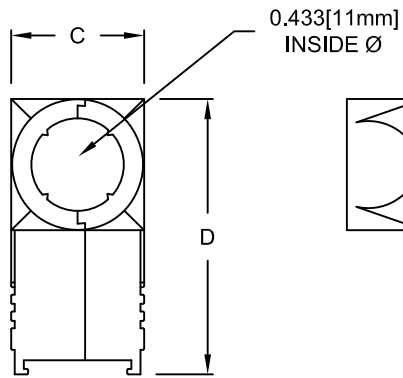
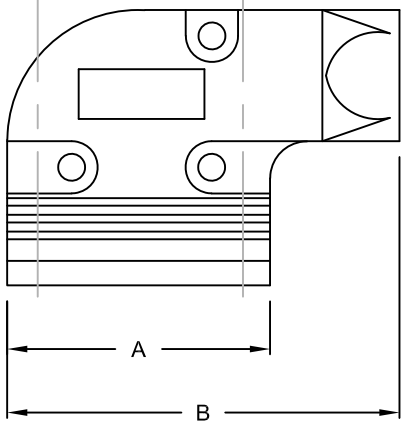
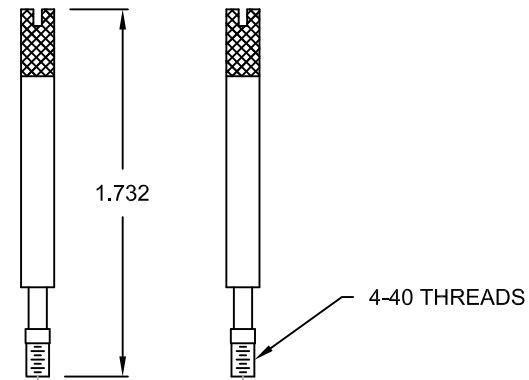


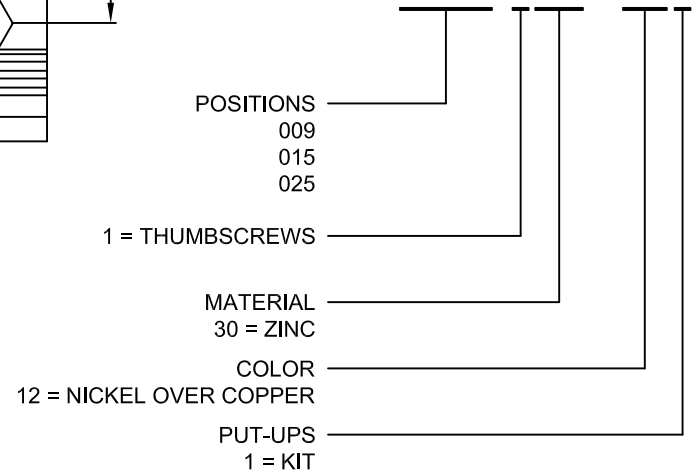
DIMENSIONS (IN.)						
No. OF PINS	A	B	C	D	E	F
9	1.265	1.850	0.628	1.300	0.610	0.625
15	1.580	2.314	0.639	1.300	0.995	0.620
25	2.143	2.870	0.633	1.300	1.528	0.606



**BACKSHELL KIT INCLUDES:**

- (2) BACKSHELL HALVES
- (3) HOUSING SCREWS & NUTS
- (2) THUMBSCREWS
- (1) GROMMET TREE (NON-CONDUCTIVE)

**981-YYY-130R121**



**RoHS COMPLIANT**

UNITS = INCHES [MM] **DO NOT SCALE FROM DRAWING**



THESE DRAWINGS AND SPECIFICATIONS ARE THE PROPERTY OF NorComp AND SHALL NOT BE REPRODUCED, COPIED OR USED AS THE BASIS FOR THE MANUFACTURE OR SALE OF APPARATUS WITHOUT WRITTEN PERMISSION.

DRAWN:  
**C. SMITH**  
DATE:  
**02/16/2007**

**NorComp**

SCALE: NTS	SHEET 1	OF 1	REV 2
DWG NO.		<b>981-YYY-130R121</b>	