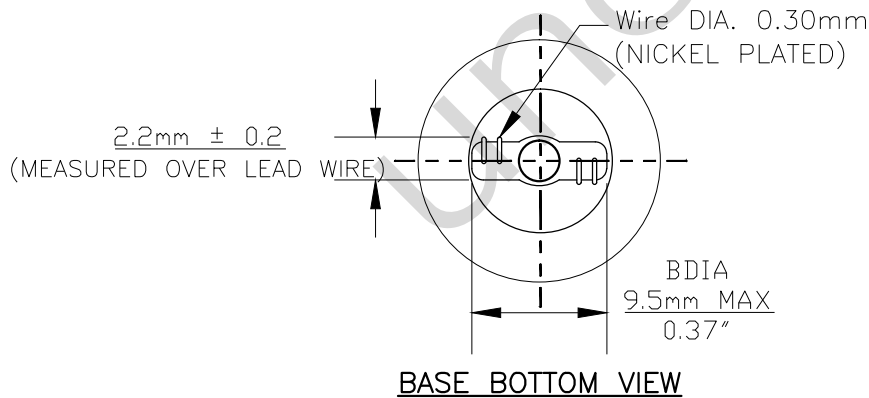
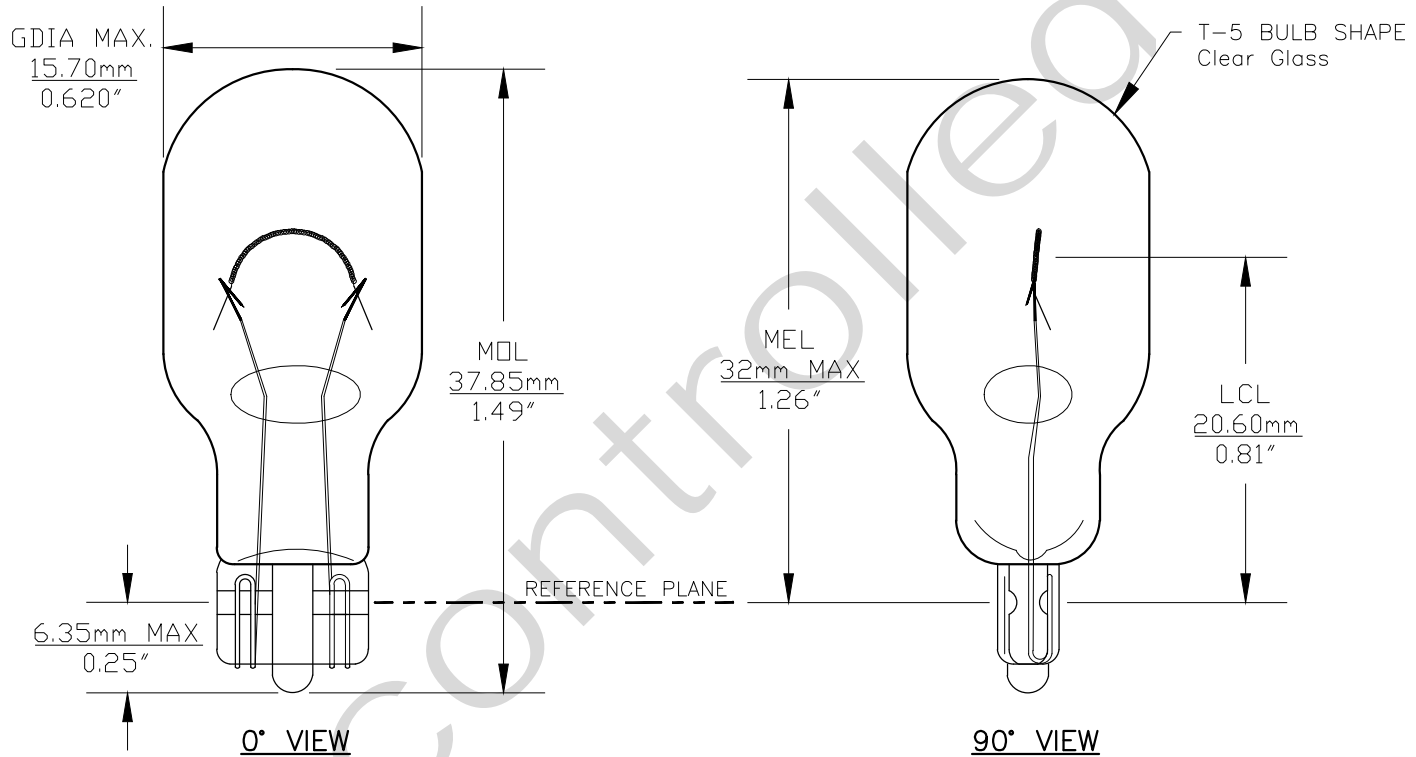




PART NO.	BASE TYPE	DESIGN VOLTS	DESIGN AMPS	MSCD	FILAMENT TYPE	AVERAGE LIFE HOURS	REVISIONS			
							REV #	DESCRIPTION	DATE	APPROVED
922	Glass Wedge W2.1X9.5d (T-5)	12.8V	0.98±10%	15.0±20%	C-2R	200	1	REDRAWN, ADDRESS CHANGE	06/09/2005	D.C.
							2	REDRAWN, RoHS SPECIFICATION ADDED	06/26/2014	R.M.



Note: Made according to SAE specifications



UNLESS OTHERWISE SPECIFIED: DIMENSIONS ARE IN INCHES TOLERANCES		CEC INDUSTRIES LTD	
DECIMALS	ANGULAR	599 BOND STREET LINCOLNSHIRE, IL 60069	
.XX ± .05	± 0.5°	TITLE LIGHT BULB NO. 922	
.XXX ± .010		DATE 03/19/2001	REV 2
FRACTIONAL	± 1/64	CHECKED	SIZE A
DRAWN ELIZABETH SONANES		FSCM NO.	DWG NO. 922
DESIGN		SCALE	PLOT SCALE
MATERIAL		FILE 922.pdf	SHEET 1 OF 1
		DRAWING NOT TO SCALE	