

Product Change Notification

PCN-ICC-1761-2018

Business Unit	Product Line Code	Type of Change	Action	Date of Issue
ICC - Industrial Cabinet	BE1	Product Change Notification	Notify Distributors and Field	6/21/2018

The following Phoenix Contact products have been modified. Existing specifications will be met or exceeded. Please review and acknowledge this document and inform your personnel as needed.

Description for Product Change Notification

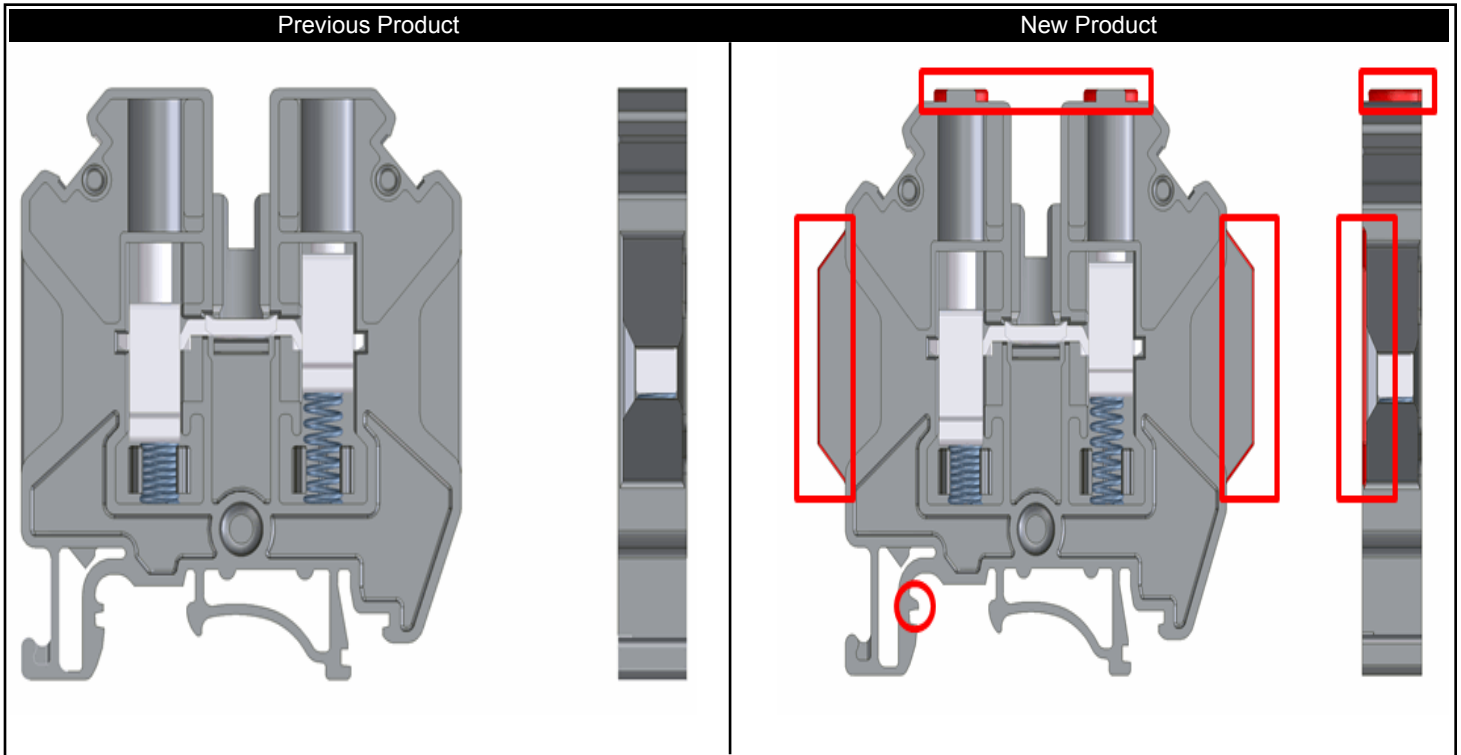
The USST feed through terminal block will be improved by new insulating housings with extended air and creepage distances, additional housing walls and higher turn screw shafts.

Stock Status

Can existing stock still be used?	Yes
Is mixture of stock acceptable?	Yes

Transaction Dates

Date modification goes into effect from Germany:	6/14/2018
Expected first shipment (from Phoenix Contact) of the modified products(s):	1/1/2019





Product Change Notification

Should you have any issues with the timeline or content of this product change, please contact Phoenix Contact using the information below. Customers should acknowledge receipt of the PCN within 30 days of delivery of the PCN; provided, however, that the failure to acknowledge receipt does not affect the product change or the effective date thereof.

Contact Info:

Cory Myer
cmyer@phoenixcon.com

Thank you,

Alan P. Sappe'

Alan Sappe

Product Marketing Manager - Industrial Cabinet Conn.



Phoenix Contact Inc.
P.O. BOX 4100
Harrisburg, PA 17111-0100
Phone: 717-944-1300
Fax: 717-944-1625

Product Change Notification

Part #	Type Description
3070338	USST 4
3070341	USST 6
3070354	USST 10
3070370	D-USST 4/10