

Printed-circuit board connector - PCC 4/ 2-ST-7,62 - 1840191

Please be informed that the data shown in this PDF Document is generated from our Online Catalog. Please find the complete data in the user's documentation. Our General Terms of Use for Downloads are valid (<http://phoenixcontact.com/download>)

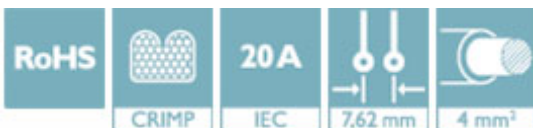


The figure shows an 10-position version

PCB connector, nominal current: 20 A, number of positions: 2, pitch: 7.62 mm, connection method: Crimp connection, color: green, Corresponding female crimp contacts with current [A] and conductor cross section range [mm²] data: 13,5A/STG-MTN 0,5-1,0 (3190438); 13,5A/STG-MTN 0,5-1,0 BA (3190629); 20A/STG-MTN 1,5-2,5 (3190506); 20A/STG-MTN 1,5-2,5 BA (3190632). BA = Taped contacts

Your advantages

- Inexpensive connection of large quantities of pre-assembled conductors
- Small component size for applications where space is at a premium



Key Commercial Data

Packing unit	50 pc
GTIN	
GTIN	4017918102272

Technical data

Dimensions

Length [l]	28.7 mm
Width [w]	15.24 mm
Height [h]	17.2 mm
Pitch	7.62 mm
Dimension a	7.62 mm

General

Range of articles	PCC 4/..-ST
Number of positions	2
Connection method	Crimp connection
Insulating material group	I
Rated surge voltage (III/3)	8 kV
Rated surge voltage (III/2)	8 kV

Printed-circuit board connector - PCC 4/ 2-ST-7,62 - 1840191

Technical data

General

Rated surge voltage (II/2)	8 kV
Rated voltage (III/3)	400 V
Rated voltage (III/2)	1000 V
Rated voltage (II/2)	1000 V
Connection in acc. with standard	EN-VDE
Nominal current I_N	20 A
Nominal cross section	4 mm ²
Maximum load current	20 A
Insulating material	PA
Flammability rating according to UL 94	V0

Connection data

Conductor cross section flexible min.	0.5 mm ²
Conductor cross section flexible max.	2.5 mm ²
Conductor cross section AWG min.	20
Conductor cross section AWG max.	14
Minimum AWG according to UL/CUL	20
Maximum AWG according to UL/CUL	14

Standards and Regulations

Connection in acc. with standard	EN-VDE
	CSA
Flammability rating according to UL 94	V0

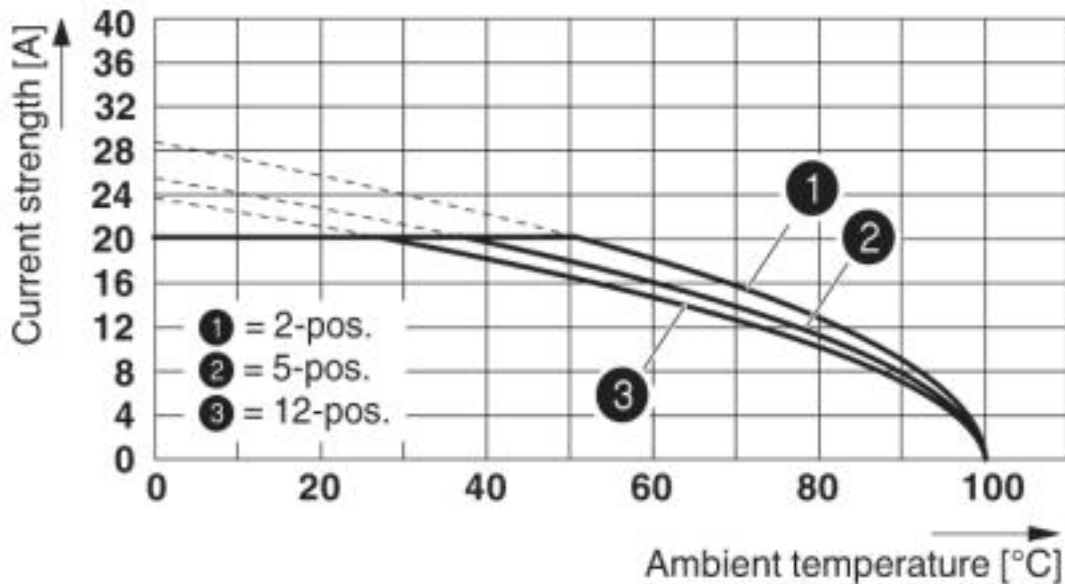
Environmental Product Compliance

China RoHS	Environmentally friendly use period: unlimited = EFUP-e
	No hazardous substances above threshold values

Drawings

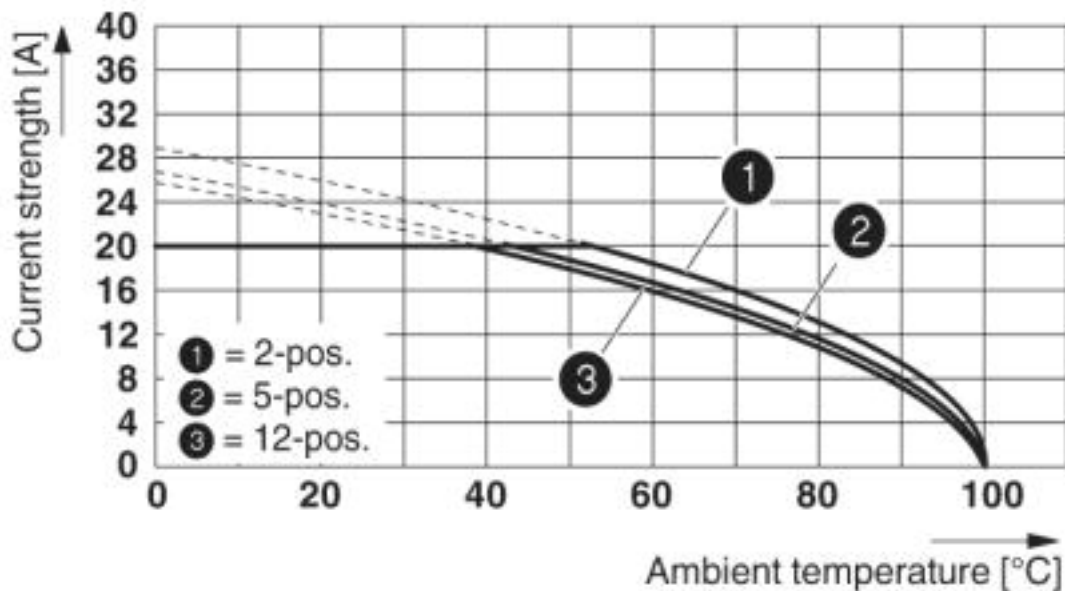
Printed-circuit board connector - PCC 4/ 2-ST-7,62 - 1840191

Diagram



Derating curve for: PCC 4/...-ST-7,62 with PC 4/...-G-7,62

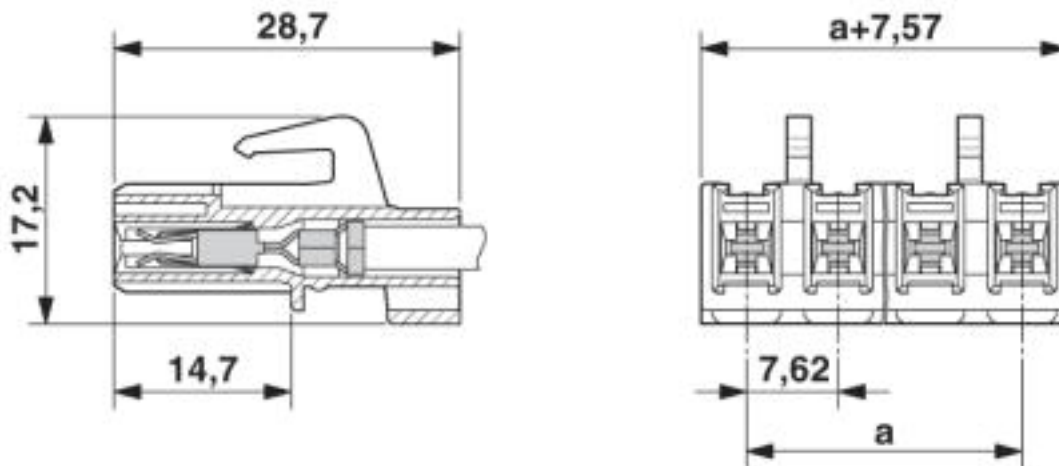
Diagram



Derating curve for: PCC 4/...-ST-7,62 with PCVK 4-7,62

Printed-circuit board connector - PCC 4/ 2-ST-7,62 - 1840191

Dimensional drawing



Approvals

Approvals

Approvals

CSA / EAC / cULus Recognized

Ex Approvals


Approval details

CSA		http://www.csagroup.org/services-industries/product-listing/	13631
		B	C
Nominal voltage UN		300 V	300 V
Nominal current IN		10 A	10 A
mm ² /AWG/kcmil		20-14	20-14

EAC		B.01742
-----	--	---------

Printed-circuit board connector - PCC 4/ 2-ST-7,62 - 1840191

Approvals

cULus Recognized		http://database.ul.com/cgi-bin/XYV/template/LISEXT/1FRAME/index.htm E60425-19920722
	B	C
Nominal voltage UN	600 V	600 V
Nominal current IN	10 A	10 A
mm ² /AWG/kcmil	20-14	20-14

Phoenix Contact 2019 © - all rights reserved
<http://www.phoenixcontact.com>

PHOENIX CONTACT GmbH & Co. KG
Flachsmarktstr. 8
32825 Blomberg
Germany
Tel. +49 5235 300
Fax +49 5235 3 41200
<http://www.phoenixcontact.com>