

| MATERIAL NO. | ENGINEERING NO. | FINISHED LENGTH |
|--------------|-----------------|---------------------|
| 1300640304 | CC4030A70M040 | 4M (13 FT 1.48 IN) |
| 1300640432 | CC4030A70M200G | 20M (65 FT 7.4 IN) |
| 1300640433 | CC4030A70M400G | 40M (131 FT 2.8 IN) |

CABLE LENGTH TOLERANCES

<.3M [1FT]: +19mm-0 [+.75in-0]

.3 - .9M [1 - 3FT]: +44.5mm-0 [+1.75in-0]

.9 - 1.8M [3 - 6FT]: +55.6mm-0 [+2.19in-0]

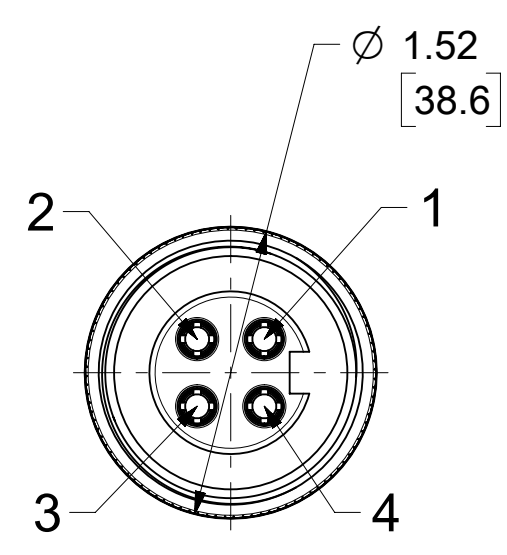
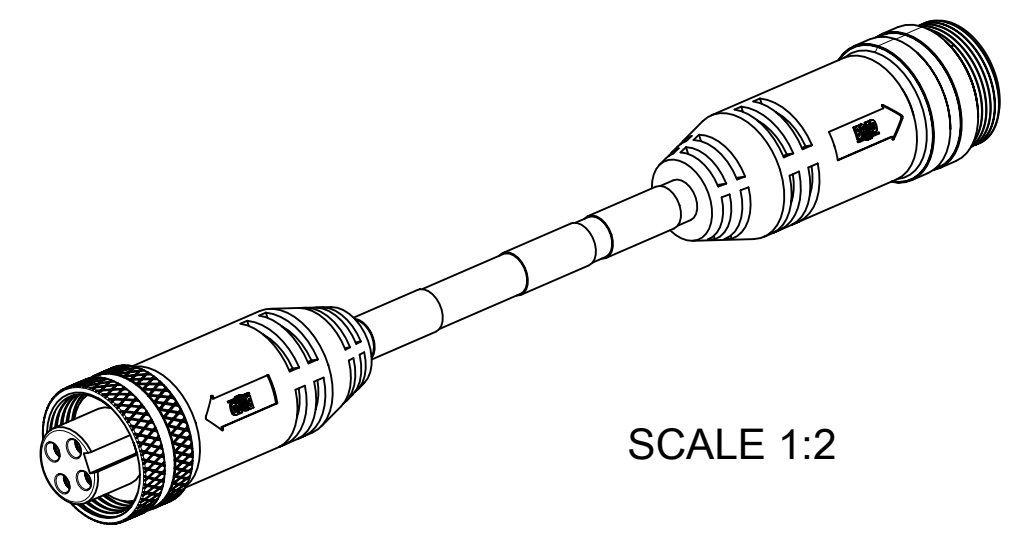
1.8 - 3.7M [6 - 12FT]: +88.9mm-0 [+3.50in-0]

3.7 - 7.3M [12 - 24FT]: +165.1mm-0 [+6.50in-0]

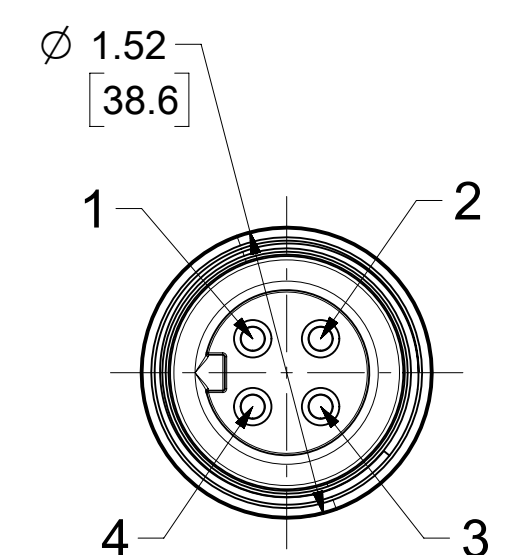
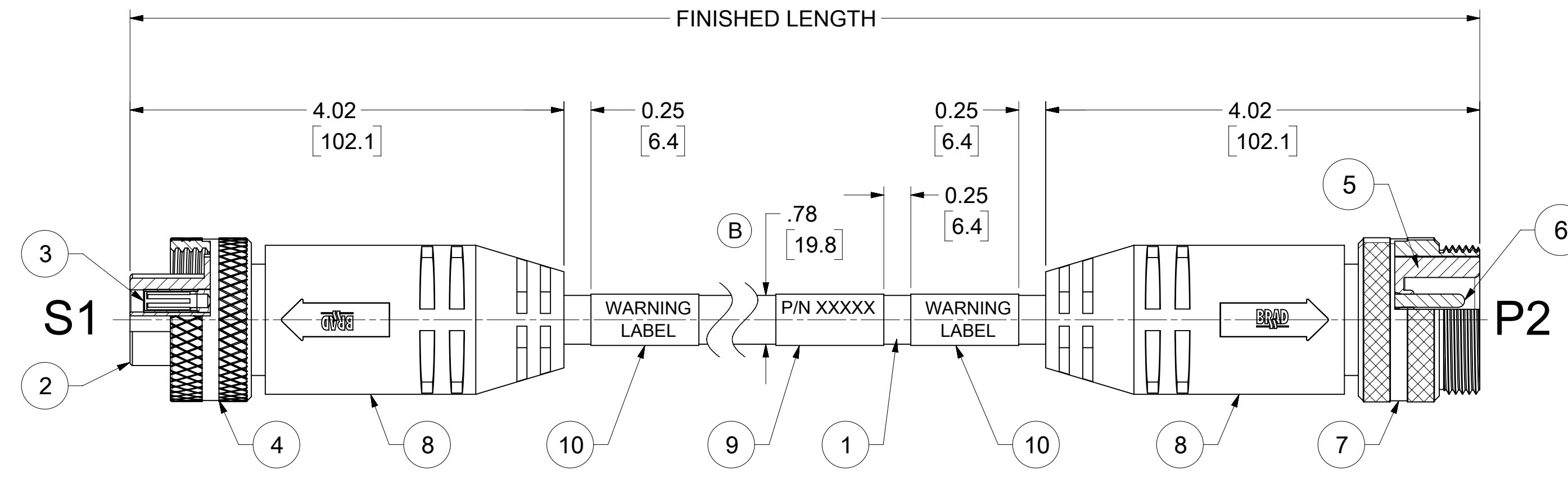
7.3-14.6M [24 - 48FT]: +317.5mm-0 [+12.50in-0]

14.6 - 30.5M [48-100FT]: +622.3mm-0 [+24.50in-0]

OVER 30M [100FT] +2% OF FINISHED LENGTH



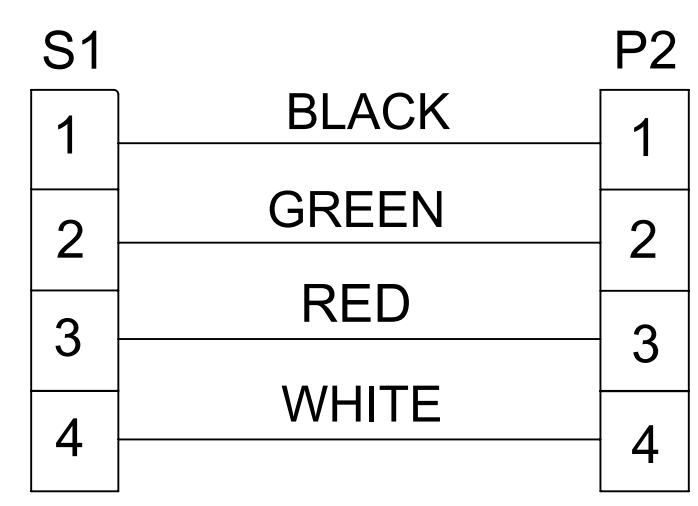
FEMALE FACE VIEW



MALE FACE VIEW

- NOTES:**
1. MATERIAL: AS NOTED
 2. FINISH: AS NOTED
 3. ELECTRICAL:
VOLTAGE: 500V PER IEC60664
600V PER UL2237
 4. TEMP RATING: -20°C TO +105°C
 5. PROTECTION: IP67 (WHEN MATED)
 6. UL LISTED FILE: 258922
 7. COUPLING THREAD : 1 3/8"-16 UN
 8. ALL DIMS ARE FOR REFERENCE UNLESS TOLERANCED OR NOTED OTHERWISE

WIRING DIAGRAM



PART NUMBER LEGEND

CC4030A70M010G

FINISHED LENGTH
M005 = 0.5 METER
M010 = 1.0 METER
M100 = 10 METERS

OVERMOLD COLOR:
BLANK = GRAY
G = BLACK

| ITEM | DESCRIPTION | MATERIAL | FINISH |
|------|-------------------------|------------|-------------------|
| 10 | WARNING LABEL | VINYL | ORANGE/BLACK |
| 9 | WRAP LABEL | VINYL | BLACK/YELLOW |
| 8 | OVERMOLDS | TPE | GRAY |
| 7 | MALE COUPLING NUT | ALUMINIUM | CLEAR ANODIZE |
| 6 | PIN CONTACT | Cu ALLOY | GOLD OVER NICKEL |
| 5 | MALE INSERT | TPE | BLACK |
| 4 | FEMALE COUPLING NUT | ALUMINIUM | CLEAR ANODIZE |
| 3 | SOCKET CONTACT | Cu ALLOY | GOLD OVER NICKEL |
| 2 | FEMALE INSERT | TPE | BLACK |
| 1 | CABLE, #10-4 AWG, STOOV | PVC JACKET | GRAY/BLACK STRIPE |

| | | | | |
|--|---|-----------------|--|--------------------------------|
| FUNCTIONAL SYMBOLS | THIS DRAWING CONTAINS INFORMATION THAT IS PROPRIETARY TO MOLEX ELECTRONIC TECHNOLOGIES, LLC AND SHOULD NOT BE USED WITHOUT WRITTEN PERMISSION | | CURRENT REV DESC: UPDATED ITEM #2,5,8 WERE PVC & MATERIAL P/N TABLE. ADDED UL, IEC VOLT, TEMP RATING, IP RATING, TOL. CHART AND CABLE DIA. | |
| | DIMENSION UNITS | SCALE | EC NO: 701162 | |
| $\frac{F}{A} = 0$ | INCH | 1:1 | DRWN: AKABADI | 2021/06/30 |
| $\frac{F}{C} = 0$ | GENERAL TOLERANCES (UNLESS SPECIFIED) | | CHK'D: RSTONE | 2022/03/30 |
| $\frac{F}{P} = 0$ | | | APPR: BWOODMAN | 2022/04/08 |
| DIVISIONAL SYMBOLS | 4 PLACES | ± | INITIAL REVISION: | |
| | 3 PLACES | ± | DRWN: RSTONE | 2017/01/04 |
| | 2 PLACES | ± | APPR: BWOODMAN | 2017/01/18 |
| | 1 PLACE | ± | THIRD ANGLE PROJECTION | |
| | 0 PLACES | ± | DRAWING | SERIES |
| | ANGULAR TOL | ± ° | C-SIZE | 130064 |
| DRAFT WHERE APPLICABLE MUST REMAIN WITHIN DIMENSIONS | | MATERIAL NUMBER | | CUSTOMER |
| | | SEE TABLE | | GENERAL MARKET |
| | | DOCUMENT NUMBER | | DOC TYPE DOC PART REVISION |
| | | SD-130064-021 | | PSD 001 B |
| | | SHEET NUMBER | | 1 OF 1 |