

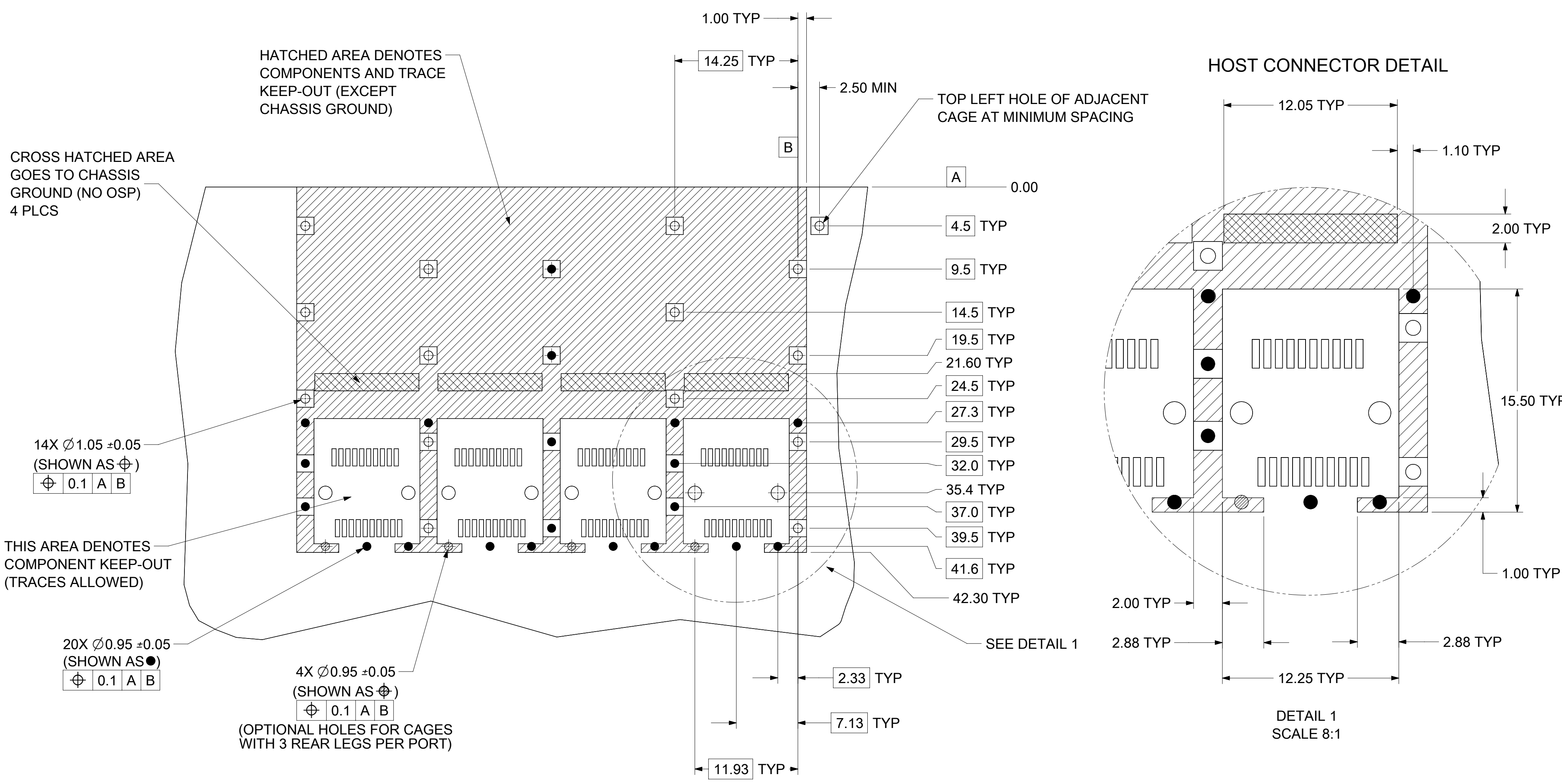
PART NO. AND WEEK/YEAR DATE CODE TO BE PRINTED ON THE BACK OF COMPLETED CAGE ASSEMBLY APPROXIMATELY AS SHOWN ON 100114 SERIES CAGE ASSEMBLIES

WEEK/YEAR DATE CODE TABLE	
WW	01 THRU 52 OR 53 EXAMPLE: 01 = FIRST WEEK OF YEAR 52 = LAST WEEK OF YEAR
YY	16, 17, 18 ETC. EXAMPLE: YEAR 2016 = 16

- NOTES:
- MATERIAL:
CAGE: 0.25mm THICK COPPER ALLOY, NICKEL PLATED.
SPRING FINGERS: 0.10mm THICK COPPER ALLOY, NICKEL PLATED.
 - PRESS FIT LEGS 3.05mm LONG:
 - PORTS ARE DESIGNED FOR SFP+ TRANSCEIVERS AND ARE COMPATIBLE WITH SFP TRANSCEIVERS. THE TOP SURFACE OF THE MODULE MUST BE FLAT (NO PRODUCT LABEL RECESS) AND THERMALLY CONDUCTIVE TO FUNCTION OPTIMALLY.
 - WELD SPOT MAY SHOW SLIGHT MATERIAL DISCOLORATION.
 - NO RoHS EXEMPTIONS.

QUALITY SYMBOLS		THIS DRAWING CONTAINS INFORMATION THAT IS PROPRIETARY TO MOLEX ELECTRONIC TECHNOLOGIES, LLC AND SHOULD NOT BE USED WITHOUT WRITTEN PERMISSION		DIMENSION UNITS		SCALE		molex	
▽ = 0	▽ = 0	mm	2:1	DRWN BY		DATE			
▽ = 0	▽ = 0	GENERAL TOLERANCES (UNLESS SPECIFIED)		PGSHETTY		2016/06/29		ZSFP+ 1X4 SF CAGE ASSY'S UNDER BELLY GASKET.	
▽ = 0	▽ = 0	ANGULAR TOL ± 1.0 °		CHKD BY		DATE			
▽ = 0	▽ = 0	4 PLACES ±		DSUN15		2016/07/31		PRODUCT CUSTOMER DRAWING	
▽ = 0	▽ = 0	3 PLACES ±		APPR BY		DATE			
▽ = 0	▽ = 0	2 PLACES ± 0.15		RCHEN08		2016/08/04		SERIES	
▽ = 0	▽ = 0	1 PLACE ± 0.25		DRAWING SIZE		THIRD ANGLE PROJECTION		MATERIAL NUMBER	
▽ = 0	▽ = 0	0 PLACES ±		C		100114		1001140420	
⊠ = 0	■ = 0	DRAFT WHERE APPLICABLE MUST REMAIN WITHIN DIMENSIONS		DOCUMENT NUMBER		1001140420		DOC TYPE	
▽ = 0	▽ = 0			PSD		DOC PART		ASY	
SEE REVISION TABLE		EC NO: 603484		DRWN: TKUMARKC		CHKD: MKMEPEGOWDA		CUSTOMER	
		2018/08/27		2018/08/27		2018/08/28		GENERAL MARKET	
B1		REV		APPR: RCHEN08				SHEET NUMBER	
								1 OF 5	

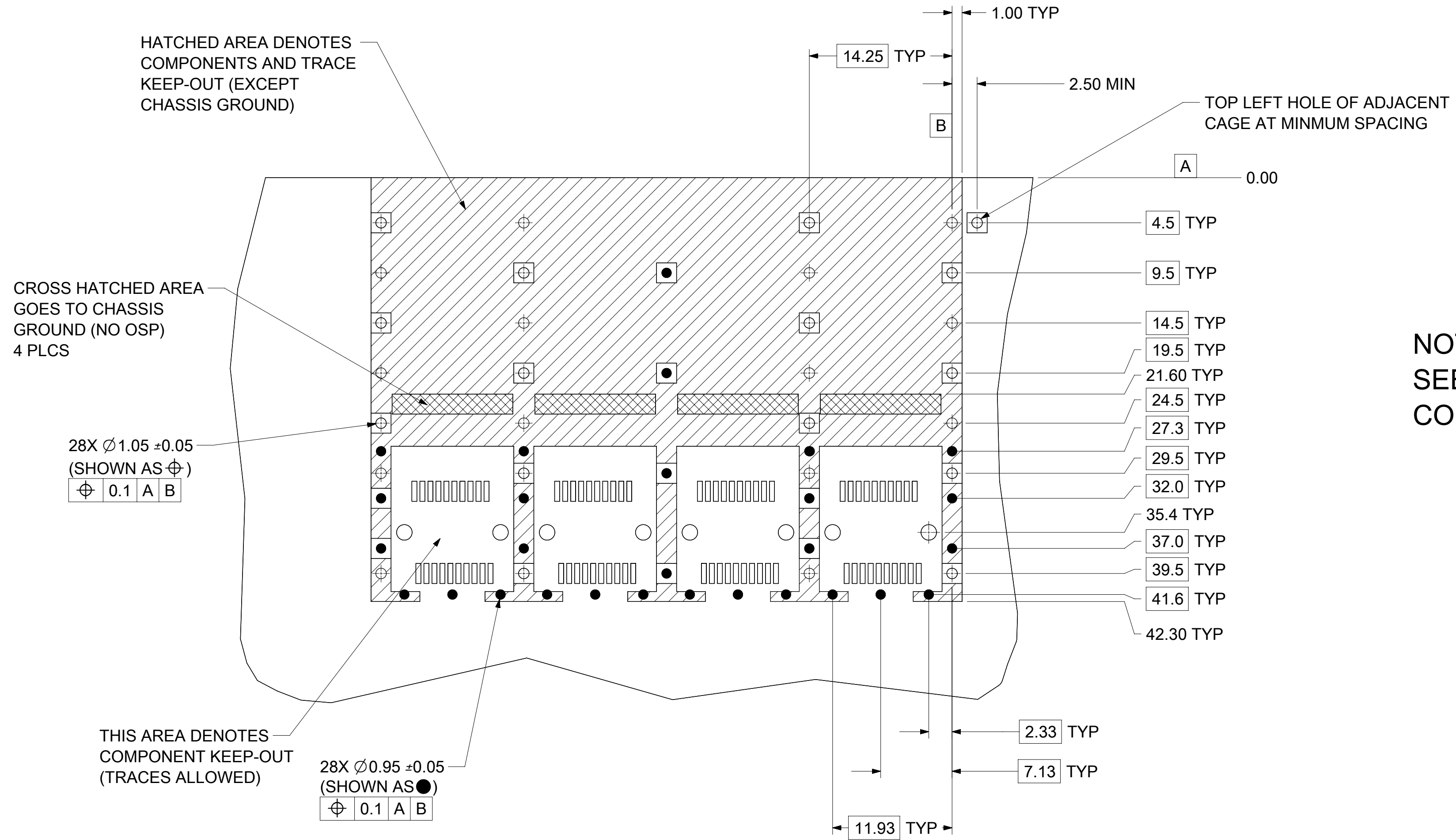
PCB LAYOUT FOR SINGLE SIDE MOUNT



- NOTES:
1. PADS AND VIAS CONNECT TO CHASSIS GROUND (RECOMMENDED PADS TO BE 2.00mm SQUARE)
 2. RECOMMENDED THRU HOLE PLATING INCLUDES HASL, OSP, OR IMMERSION (GOLD, SILVER, OR TIN)
 3. CONNECTOR PAD LAYOUT PER SFP+ MSA WILL ACCOMMODATE MOLEX CONNECTOR SERIES 170382 OR EQUIVALENT
 4. HOLE PATTERN REPEATS FOR EACH PORT, SPACING BETWEEN PORTS IS 14.25mm
 5. MINIMUM PCB THICKNESS FOR SINGLE SIDED USE 1.57mm.

QUALITY SYMBOLS	THIS DRAWING CONTAINS INFORMATION THAT IS PROPRIETARY TO MOLEX ELECTRONIC TECHNOLOGIES, LLC AND SHOULD NOT BE USED WITHOUT WRITTEN PERMISSION									
∇ = 0	SEE REVISION TABLE EC NO: 603484 DRWN: TKUMARKC CHKD: MKEMPEGOWDA REV / APPR: RCHEN08 2018/08/27 2018/08/27 2018/08/28	GENERAL TOLERANCES (UNLESS SPECIFIED)			DIMENSION UNITS	SCALE				
∇ = 0		ANGULAR TOL $\pm 1.0^\circ$			mm	3:1				
∇ = 0		4 PLACES \pm	PGSHETTY		DATE	ZSFSP+ 1X4 SF CAGE ASSY'S UNDER BELLY GASKET.				
∇ = 0		3 PLACES \pm	CHKD BY		DATE	PRODUCT CUSTOMER DRAWING				
∇ = 0		2 PLACES ± 0.15	DSUN15		2016/07/31	SERIES MATERIAL NUMBER CUSTOMER				
∇ = 0		1 PLACE ± 0.25	APPR BY		DATE	100114 1001140420 GENERAL MARKET				
∇ = 0		0 PLACES \pm	RCHEN08		2016/08/04	DOCUMENT NUMBER DOC TYPE DOC PART SHEET NUMBER				
∇ = 0		DRAFT WHERE APPLICABLE MUST REMAIN WITHIN DIMENSIONS			DRAWING SIZE	THIRD ANGLE PROJECTION	1001140420 PSD ASY 2 OF 5			
∇ = 0		B1	C							

PCB LAYOUT FOR BELLY TO BELLY MOUNTING

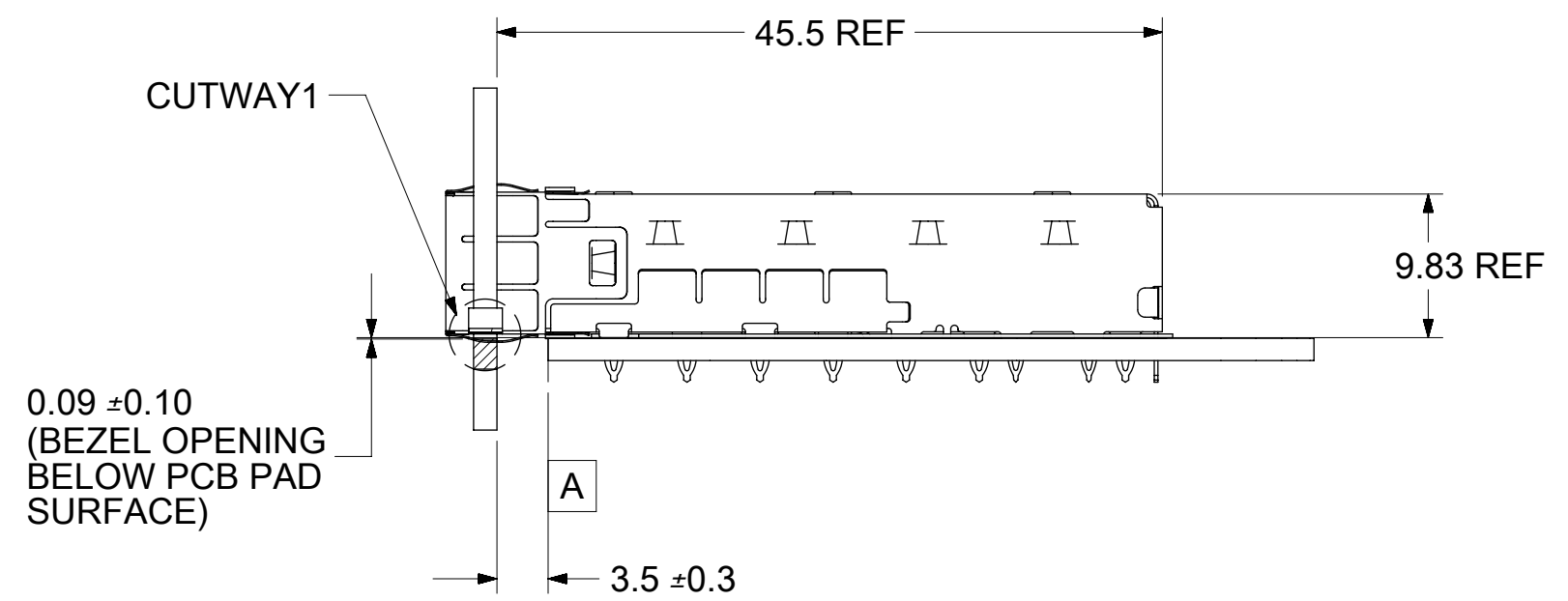
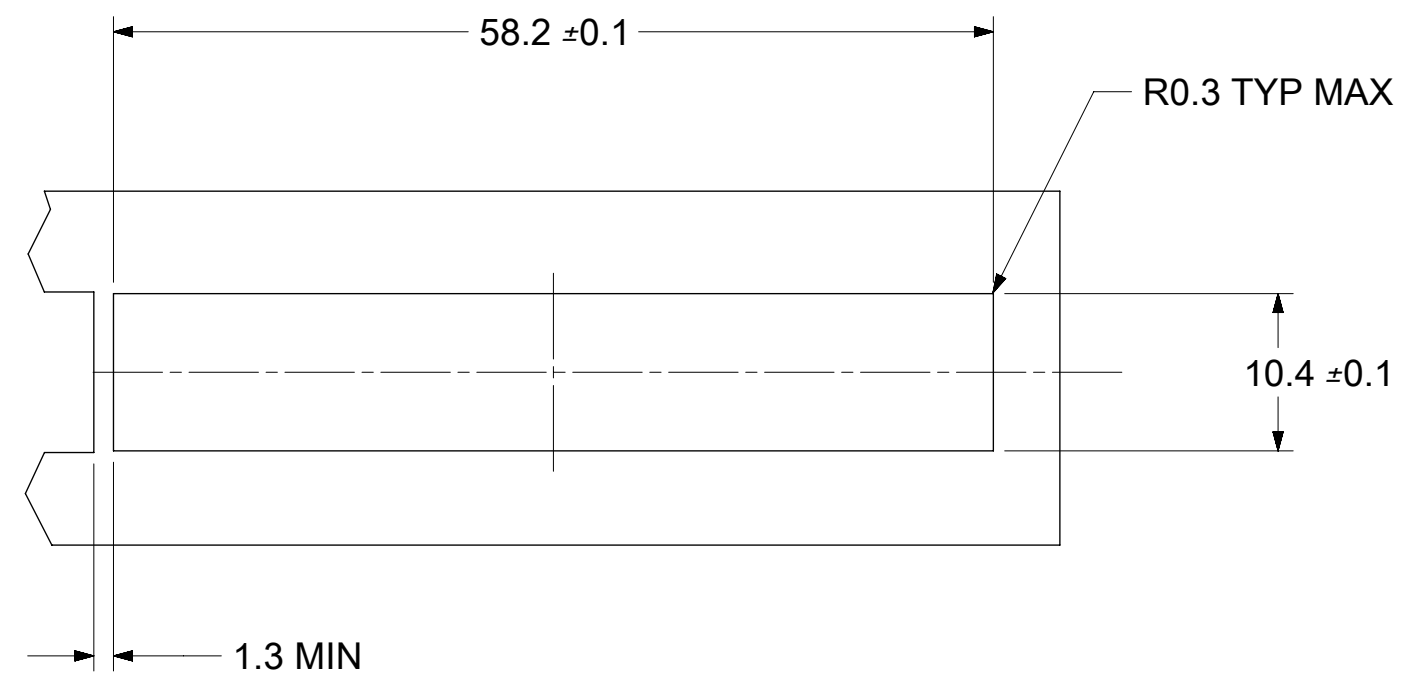


NOTE:
SEE SHEET 2 FOR HOST
CONNECTOR DETAIL

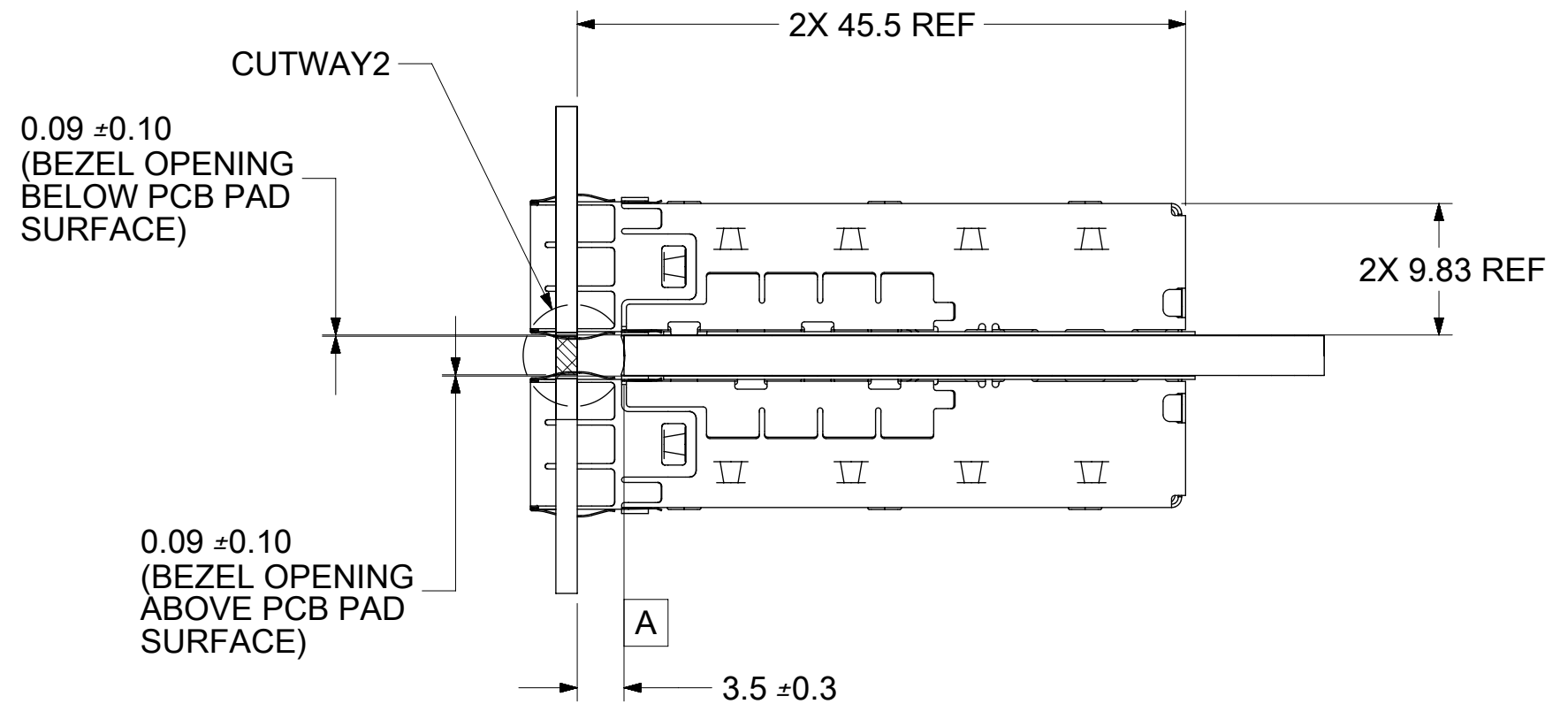
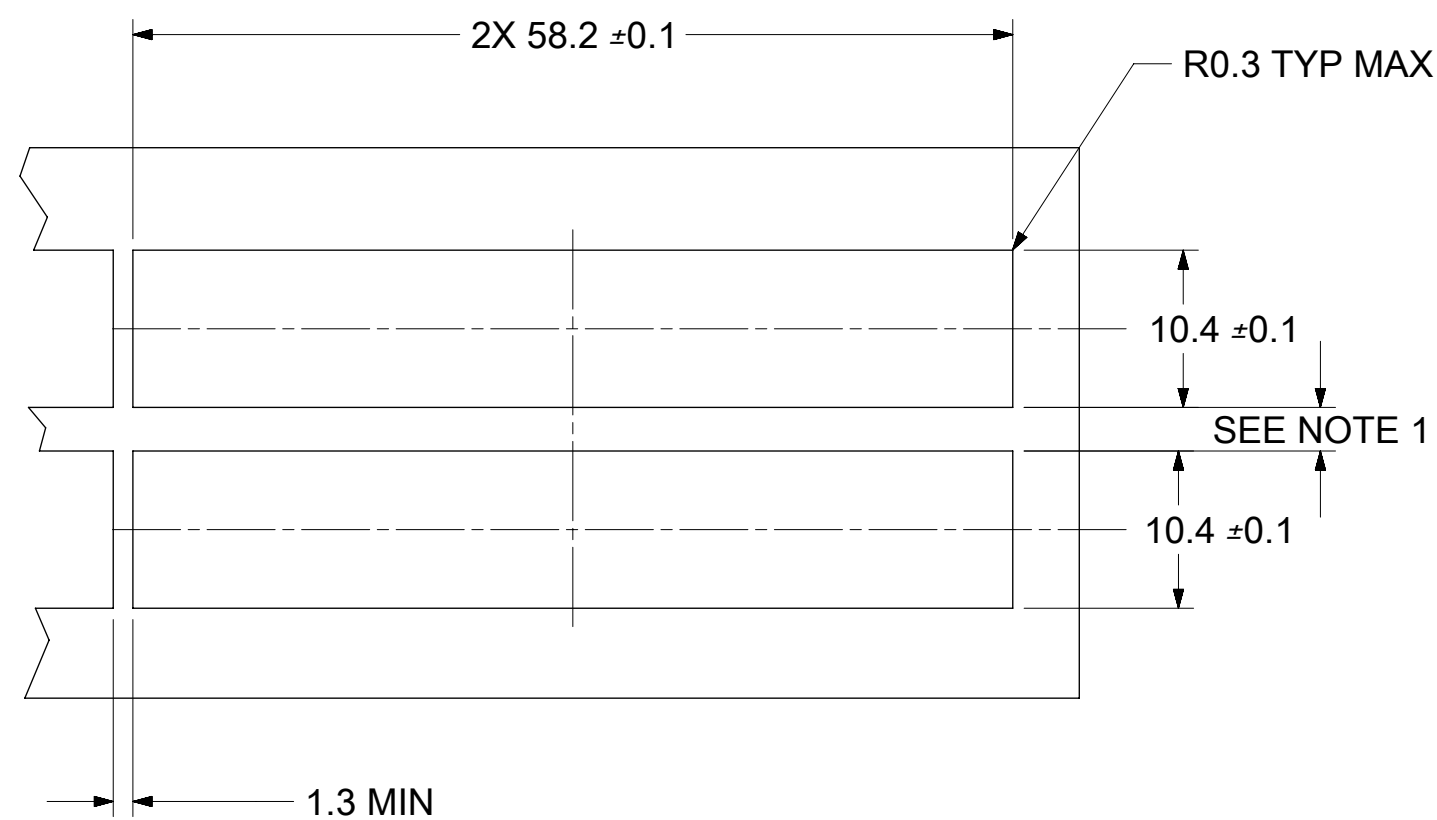
- NOTES:**
1. PADS AND VIAS CONNECT TO CHASSIS GROUND (RECOMMENDED PADS TO BE 2.00mm SQUARE)
 2. RECOMMENDED THRU HOLE PLATING INCLUDES HASL, OSP, OR IMMERSION (GOLD, SILVER, OR TIN)
 3. CONNECTOR PAD LAYOUT PER SFP+ MSA WILL ACCOMMODATE MOLEX CONNECTOR SERIES 170382 OR EQUIVALENT
 4. HOLE PATTERN REPEATS FOR EACH PORT, SPACING BETWEEN PORTS IS 14.25mm
 5. MINIMUM PCB THICKNESS FOR BELLY TO BELLY USE 3.00mm.

QUALITY SYMBOLS		THIS DRAWING CONTAINS INFORMATION THAT IS PROPRIETARY TO MOLEX ELECTRONIC TECHNOLOGIES, LLC AND SHOULD NOT BE USED WITHOUT WRITTEN PERMISSION										
▽ = 0	▽ = 0	SEE REVISION TABLE EC NO: 603484 DRWN: TKUMARKC CHKD: MKEMPEGOWDA REV / APPR: RCHEN08 2018/08/27 2018/08/27 2018/08/28	GENERAL TOLERANCES (UNLESS SPECIFIED)			DIMENSION UNITS	SCALE					
▽ = 0	▽ = 0		ANGULAR TOL ± 1.0 °			mm	3:1					
▽ = 0	▽ = 0		4 PLACES ±	PGSHETTY		DATE		ZSFP+ 1X4 SF CAGE ASSY'S UNDER BELLY GASKET.				
▽ = 0	▽ = 0		3 PLACES ±	CHKD BY		DATE						
▽ = 0	▽ = 0		2 PLACES ± 0.15	DSUN15		DATE		PRODUCT CUSTOMER DRAWING				
▽ = 0	▽ = 0		1 PLACE ± 0.25	APPR BY		DATE						
▽ = 0	▽ = 0		0 PLACES ±	RCHEN08		DATE		SERIES	MATERIAL NUMBER	CUSTOMER		
▽ = 0	▽ = 0		DRAFT WHERE APPLICABLE MUST REMAIN WITHIN DIMENSIONS			DRAWING SIZE	THIRD ANGLE PROJECTION	100114	1001140420	GENERAL MARKET		
▽ = 0	▽ = 0					C		DOCUMENT NUMBER	1001140420	DOC TYPE	DOC PART	SHEET NUMBER
			B1			C			PSD	ASY	3 OF 5	

BEZEL AND BOARD POSITION DIMENSIONS FOR SINGLE SIDE MOUNTING (SPRING FINGER)



BEZEL AND BOARD POSITION DIMENSIONS FOR BELLY TO BELLY MOUNTING (SPRING FINGER)



NOTE:
 1. PCB THICKNESS VARIATION MUST BE CONSIDERED WHEN DETERMINING BEZEL OPENING LOCATION.
 2. CAGE LEG STANDOFF WILL PIERCE BELLY GASKET WHEN PROPERLY PRESSED INTO PCB.

QUALITY SYMBOLS		THIS DRAWING CONTAINS INFORMATION THAT IS PROPRIETARY TO MOLEX ELECTRONIC TECHNOLOGIES, LLC AND SHOULD NOT BE USED WITHOUT WRITTEN PERMISSION									
▽ = 0	▽ = 0	SEE REVISION TABLE EC NO: 603484 DRWN: TKUMARKC CHKD: MKEMPEGOWDA REV: APPR: RCHEN08	GENERAL TOLERANCES (UNLESS SPECIFIED)		DIMENSION UNITS	SCALE					
▽ = 0	▽ = 0		ANGULAR TOL ± 1.0 °		mm	2:1					
▽ = 0	▽ = 0		4 PLACES ±	PGSHETTY		DATE	2016/06/29				
▽ = 0	▽ = 0		3 PLACES ±	CHKD BY		DATE	DSUN15 2016/07/31				
▽ = 0	▽ = 0		2 PLACES ± 0.15	APPR BY		DATE	RCHEN08 2016/08/04				
▽ = 0	▽ = 0		1 PLACE ± 0.25	DRAWING SIZE		THIRD ANGLE PROJECTION	C				
▽ = 0	▽ = 0	0 PLACES ±	DRAFT WHERE APPLICABLE MUST REMAIN WITHIN DIMENSIONS				PRODUCT CUSTOMER DRAWING SERIES: 100114 MATERIAL NUMBER: 1001140420 CUSTOMER: GENERAL MARKET DOCUMENT NUMBER: 1001140420 DOC TYPE: PSD DOC PART: ASY SHEET NUMBER: 4 OF 5				

REV	DATE	DESCRIPTION
A	2016/06/30	SEPERATED FROM "1111122220 REV_L"
A1	2016/09/02	SHEET 2: A12 : ADDED NOTE 3 "FOR SFP+ CAGE, AND 170382 OR EQUIVALENT FOR ZSFP+ CAGE." SHEET 3: A12 : ADDED NOTE 3 "FOR SFP+ CAGE, AND 170382 OR EQUIVALENT FOR ZSFP+ CAGE."
B	2016/09/07	SHEET 2: A12 : CORRECTED TYPO FROM 74441 TO 170382. SHEET 3: A12 : CORRECTED TYPO FROM 74441 TO 170382. DELETE SHEET FOR POLYIMIDE INSULATOR COVERAGE AREA FOR PCB LAYOUT
B1	2018/08/27	SHEET 3: D9: ADDED HATCH TO THE HOLE AND CORRECTED THE COUNT OF HATCHED HOLE.

QUALITY SYMBOLS		THIS DRAWING CONTAINS INFORMATION THAT IS PROPRIETARY TO MOLEX ELECTRONIC TECHNOLOGIES, LLC AND SHOULD NOT BE USED WITHOUT WRITTEN PERMISSION									
▽ = 0	SEE REVISION TABLE EC NO: 603484 DRWN: TKUMARKC CHKD: MKEMPEGOWDA REV / APPR: RCHEN08	GENERAL TOLERANCES (UNLESS SPECIFIED)		DIMENSION UNITS	SCALE	molex ZSFP+ 1X4 SF CAGE ASSY'S UNDER BELLY GASKET.					
▽ = 0		ANGULAR TOL ± 1.0 °		mm	1:1						
▽ = 0		4 PLACES ±	DRWN BY	DATE	PRODUCT CUSTOMER DRAWING						
▽ = 0		3 PLACES ±	PGSHETTY	2016/06/29							
▽ = 0		2 PLACES ± 0.15	CHKD BY	DATE	SERIES MATERIAL NUMBER CUSTOMER 100114 1001140420 GENERAL MARKET						
▽ = 0		1 PLACE ± 0.25	DSUN15	2016/07/31							
▽ = 0		0 PLACES ±	APPR BY	DATE	DOCUMENT NUMBER DOC TYPE DOC PART SHEET NUMBER 1001140420 PSD ASY 5 OF 5						
▽ = 0		DRAFT WHERE APPLICABLE MUST REMAIN WITHIN DIMENSIONS	RCHEN08	2016/08/04							
▽ = 0			DRAWING SIZE	THIRD ANGLE PROJECTION							
▽ = 0			C								