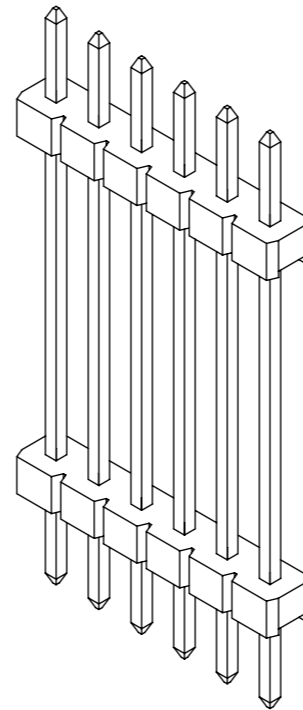
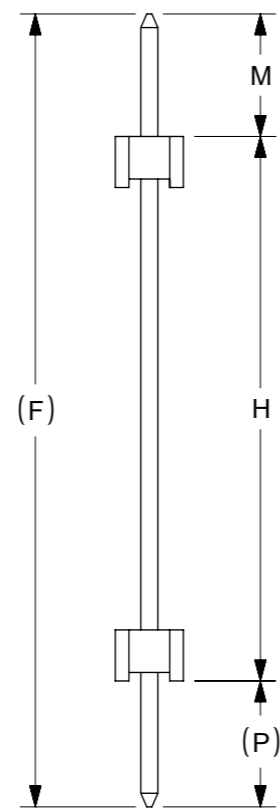
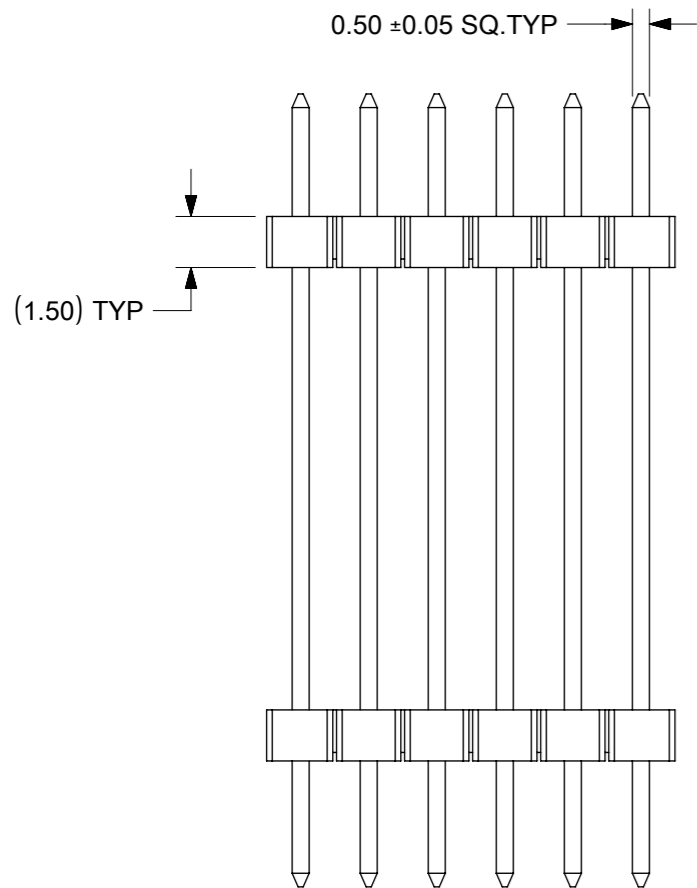
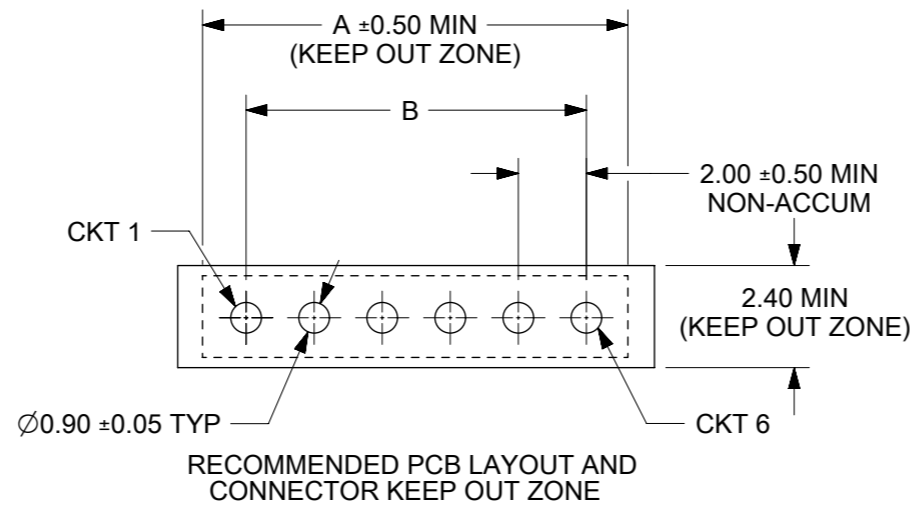
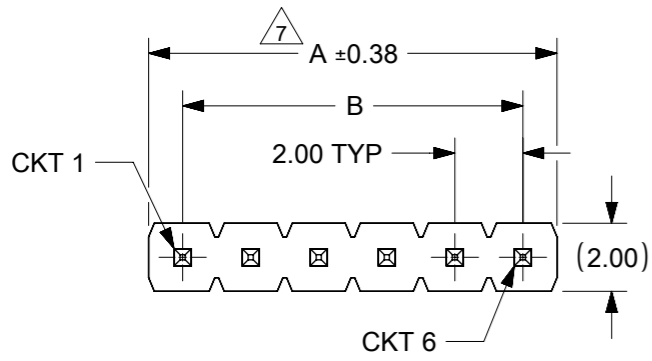


CKT SIZE	DIMENSION		PART NO. FOR TRAY PACKAGING	PART NO. FOR BULK PACKAGING	PART NO. FOR T&R PACKAGING	CKT SIZE	PLATE OPT.	KINK POSITION	VOID POSITION	DIMENSIONS			
	A	B								(F)	M	H	P
02	4.00	2.00	151148-0200	-	-	02	1	-	-	10.00	3.00	4.00	3.00
03	6.00	4.00	151148-0300	-	-	03	5	-	-	7.40	1.80	3.00	2.60
04	8.00	6.00	151148-0400	-	-	04	5	-	-	8.50	2.75	3.00	2.75
05	10.00	8.00	151148-0700	-	-	07	1	-	-	31.80	6.00	22.80	3.00
06	12.00	10.00	151148-0701	-	-	07	3	-	-	32.25	4.20	25.00	3.05
07	14.00	12.00	151148-1000	-	-	10	5	-	-	10.00	3.00	4.00	3.00
08	16.00	14.00	151148-1001	-	-	10	3	-	-	9.50	3.00	4.50	2.00
09	18.00	16.00	151148-1002	-	-	10	5	-	-	12.94	7.36	3.04	2.54
10	20.00	18.00	151148-1100	-	-	11	1	-	-	19.00	3.00	14.50	1.50
11	22.00	20.00											
12	24.00	22.00											
13	26.00	24.00											
14	28.00	26.00											
15	30.00	28.00											
16	32.00	30.00											
17	34.00	32.00											
18	36.00	34.00											
19	38.00	36.00											
20	40.00	38.00											
21	42.00	40.00											
22	44.00	42.00											
23	46.00	44.00											
24	48.00	46.00											
25	50.00	48.00											
26	52.00	50.00											
27	54.00	52.00											
28	56.00	54.00											
29	58.00	56.00											
30	60.00	58.00											
31	62.00	60.00											
32	64.00	62.00											
33	66.00	64.00											
34	68.00	66.00											
35	70.00	68.00											
36	72.00	70.00											
37	74.00	72.00											
38	76.00	74.00											
39	78.00	76.00											
40	80.00	78.00											

E		D		C		B		A	
---	--	---	--	---	--	---	--	---	--

DOCUMENT STATUS	P1	RELEASE DATE	2019/05/09	07:56:40
-----------------	----	--------------	------------	----------

SYMBOLS ▽ = 0 ▽ = 0 ▽ = 0 ▽ = 0 ▽ = 0 ▽ = 0 ▽ = 0 ▽ = 0 ▽ = 0 ▽ = 0	THIS DRAWING CONTAINS INFORMATION THAT IS PROPRIETARY TO MOLEX ELECTRONIC TECHNOLOGIES, LLC AND SHOULD NOT BE USED WITHOUT WRITTEN PERMISSION DIMENSION UNITS: mm SCALE: NTS GENERAL TOLERANCES (UNLESS SPECIFIED) ANGULAR TOL ± 3.0° 4 PLACES ± 3 PLACES ± 2 PLACES ± 0.2 1 PLACE ± 0 PLACES ± DRAFT WHERE APPLICABLE MUST REMAIN WITHIN DIMENSIONS	CURRENT REV DESC: SD CONSOLIDATION EC NO: 616102 DRWN: GJEEVANSURES 2019/04/10 CHK'D: GJEEVANSURES 2019/05/08 APPR: ISHWARG 2019/05/09 INITIAL REVISION: DRWN: MRAMAKRISHNA 2015/07/08 APPR: MRAMAKRISHNA 2015/07/29	molex CUSTOM HEADER 2MM PITCH SINGLE ROW HDR DUAL WAFER, VERTICAL T/H PRODUCT CUSTOMER DRAWING	DOCUMENT NUMBER: SD-151148-0003 DOC TYPE: PSD DOC PART: 000 REVISION: A	THIRD ANGLE PROJECTION DRAWING: A3-SIZE SERIES: 151148 MATERIAL NUMBER: SEE TABLE CUSTOMER: GENERAL MARKET SHEET NUMBER: 2 OF 2
--	--	---	--	---	---



NOTES

1. MATERIAL:
HSG: PA6T, GLASS-FILLED, UL94V-0
COLOR: BLACK
PIN: 0.50MM SQ, COPPER ALLOY
2. PLATING TYPE:
 - (1) GOLD FLASH OVER
1.270µm/50µin NICKEL OVERALL
 - (2) 0.025µm MIN. GOLD PLATE ON CONTACT AND
1.905µm MIN. TIN ON SOLDER TAIL OVER
1.270µm MIN. NICKEL OVERALL.
 - (3) 0.254µm MIN. GOLD PLATE ON CONTACT AND
1.905µm MIN. TIN ON SOLDER TAIL OVER
1.270µm MIN. NICKEL OVERALL.
 - (4) 0.381µm MIN. GOLD PLATE ON CONTACT AND
1.905µm MIN. TIN ON SOLDER TAIL OVER
1.270µm MIN. NICKEL OVERALL.
 - (5) 0.762µm MIN. GOLD PLATE ON CONTACT AND
1.905µm MIN. TIN ON SOLDER TAIL OVER
1.270µm MIN. NICKEL OVERALL.
 - (6) 2.540µm/100µin MIN TIN OVERALL
1.270µm/50µ in NICKEL OVERALL
3. PACKAGING TYPE: SEE TABLE
4. PCB THICKNESS 1.6+/-0.10mm
5. PRODUCT SPECIFICATION: PS-87761-100
6. WAFER TO BE FLAT WITHIN 0.003 mm/mm
7. IRREGULAR CIRCUIT CUTOFF WITHIN BREAKAWAY SECTION IS PERMISSIBLE. CUTTING OR CHIPPING OF THE MAIN BODY IS NOT ACCEPTABLE
8. THE ABOVE CKT 06 IS FOR ILLUSTRATION PURPOSE ONLY
9. PACKAGING SPECIFICATION:
TRAY: PK-89990-487
BULK: PK-89990-490

THIS DRAWING CONTAINS INFORMATION THAT IS PROPRIETARY TO MOLEX ELECTRONIC TECHNOLOGIES, LLC AND SHOULD NOT BE USED WITHOUT WRITTEN PERMISSION									
DIMENSION UNITS		SCALE		CURRENT REV DESC: BRIGHT TIN PHASE OUT					
mm		NTS							
GENERAL TOLERANCES (UNLESS SPECIFIED)				EC NO: 679909		CUSTOMER		CUSTOMER	
				DRWN: AKUMAR19		2021/06/15		CUSTOMER	
				CHK'D: MRAMAKRISHNA		2021/10/11		CUSTOMER	
				APPR: MRAMAKRISHNA		2021/10/11		CUSTOMER	
				INITIAL REVISION:				CUSTOMER	
				DRWN: SKLIM01		2006/07/14		CUSTOMER	
				APPR: PATEL		2006/07/26		CUSTOMER	
ANGULAR TOL ± 3.0°				DOCUMENT NUMBER		DOC TYPE		DOC PART	
				SD-87755-042		PSD		001	
				REVISION		B1			
DRAFT WHERE APPLICABLE MUST REMAIN WITHIN DIMENSIONS		THIRD ANGLE PROJECTION		DRAWING		SERIES		MATERIAL NUMBER	
				A3-SIZE		87755		SEE TABLE	
				GENERAL MARKET		1 OF 2			

DOCUMENT STATUS	P1	RELEASE DATE	2021/10/11	11:53:15
-----------------	----	--------------	------------	----------

