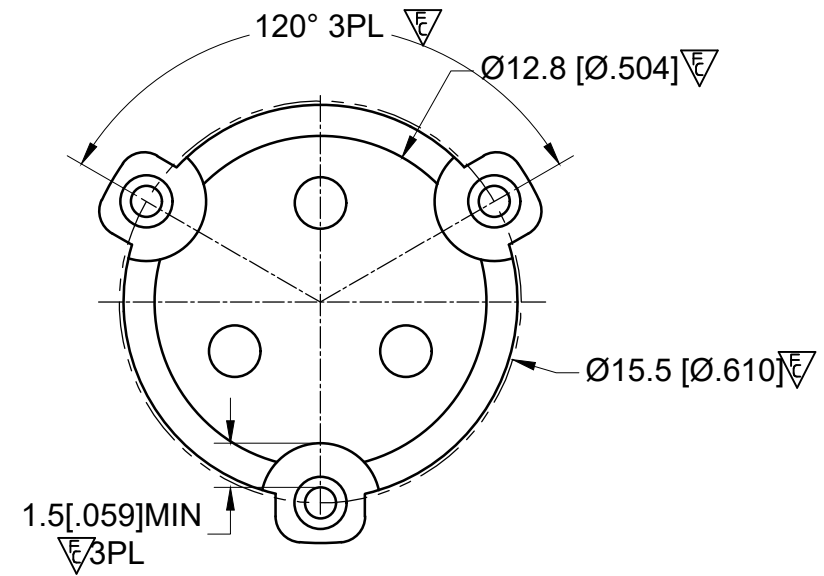
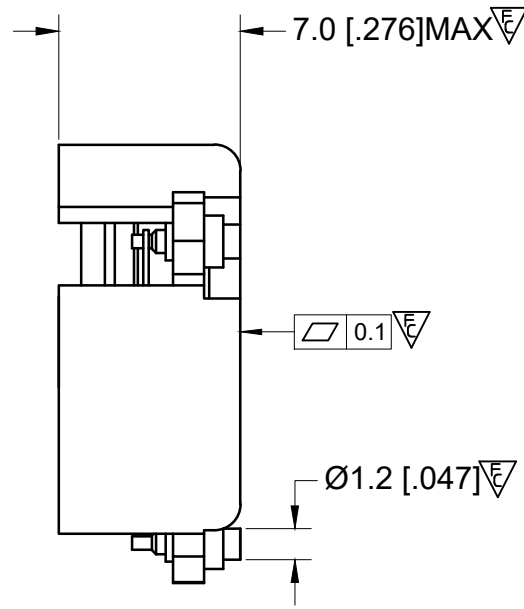
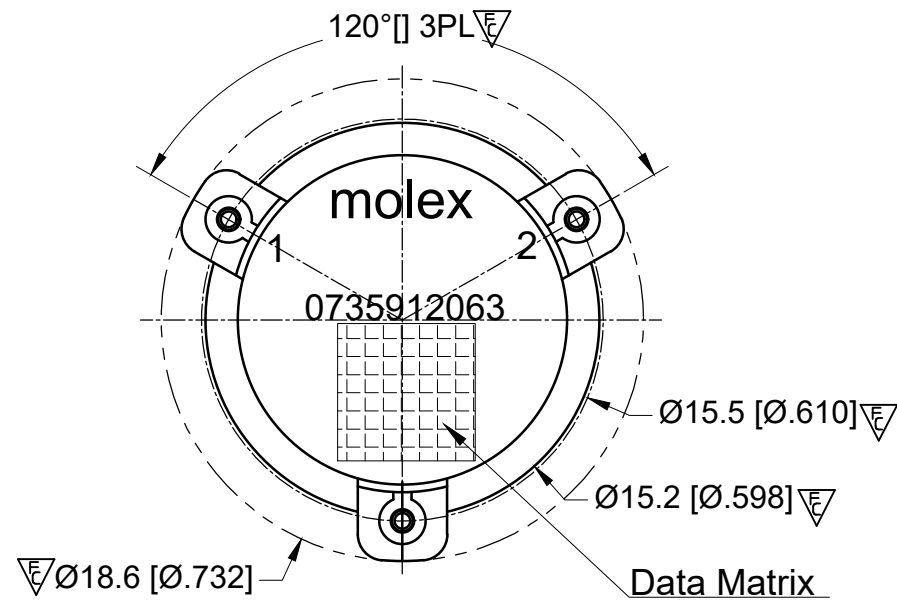
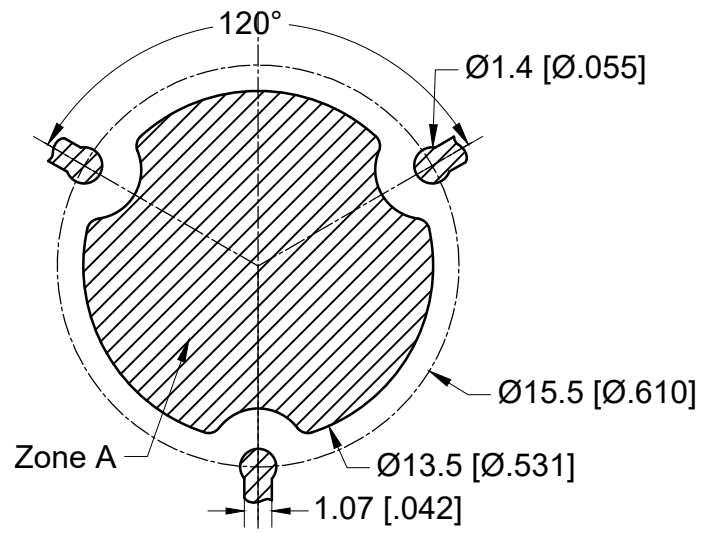
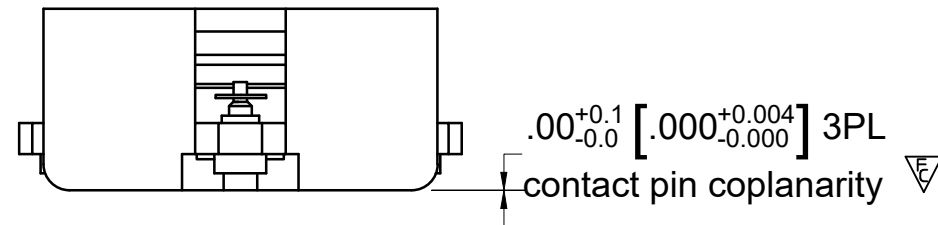


RECOMMENDED LAND PATTERN :

Zone A must be attached to heat sink. Thermal conductivity of intermediate layers between Zone A and heat sink must be better than 0.1 W / [°C x mm].



PCB Material :Rogers RO4350B,0.508mm thickness
trace width 1.07mm wide.



ELECTRICAL SPECIFICATIONS :

- Frequency range : 3400~3800MHz
- Isolation : 20 dB min.
- Return loss : 23 dB min.
- Insertion loss : 0.25dB max.
- Attenuation (2 x TX) : 10 dB min
- (3 x TX) : 7 dB min
- (N x TX) : 5 dB min
- Input power(within freq.range) : 80 W max
- Input power peak(within freq.range) : 800 W max
- Reflected power : 80W max
- IM3(50W x 2 tones 5M) : -65 dBc max
- Harmonics (2 x TX @ 100W CW) : 60 dBc min
- (3 x TX @ 100W CW) : 60 dBc min
- Operating temperature range : -40 to +115°C
- Storage temperature range : -40 to +125°C
- Direction : CW

MATERIAL :

BODY : STEEL, SILVER PLATED
PIN : COPPER , SILVER PLATED

NOTES :

- 1.STANDARD INPUT/OUTPUT IMPEDANCE 50 Ohm
- 2.LEAD FREE, NO Nd MATERIAL, BeO FREE
- 3.THE DIMENSION OF DATA MATRIX IS 5.3X5.3MM INFORMATION INCLUDING WORK ORDER NUMBER-SERIAL NUMBER-MATERIAL NUMBER
- 4.THIS PART COMPLIES WITH ALL RoHS REQUIREMENTS

ENG PART#: 802-340-380-WP040

FUNCTIONAL SYMBOLS	THIS DRAWING CONTAINS INFORMATION THAT IS PROPRIETARY TO MOLEX ELECTRONIC TECHNOLOGIES, LLC AND SHOULD NOT BE USED WITHOUT WRITTEN PERMISSION										
	DIMENSION UNITS		SCALE		CURRENT REV DESC:						
$\nabla_A=0$ $\nabla_E=0$ $\nabla_P=0$	MM		1:1		RELEASE TO PROD						
	GENERAL TOLERANCES (UNLESS SPECIFIED)										
DIVISIONAL SYMBOLS	mm		INCH		EC NO: 696580					DOCUMENT NUMBER 735912063	DOC TYPE DOC PART REVISION PSD 000 A
	4 PLACES	±0.025	±----		DRWN: SREN05	2022/02/21					
	3 PLACES	±0.05	±----		CHK'D: JLI252	2022/02/23					
	2 PLACES	±0.13	±----		APPR: HWANG186	2022/03/01					
	1 PLACE	±0.25	±----		INITIAL REVISION:						
0 PLACES	±0.4	±----		DRWN: SREN05	2021/11/12						
ANGULAR TOL ± 1.5 °		APPR: HWANG186		2022/03/01							
DRAFT WHERE APPLICABLE MUST REMAIN WITHIN DIMENSIONS				THIRD ANGLE PROJECTION		DRAWING		SERIES		SHEET NUMBER	
						A3-SIZE		73591		1 OF 1	