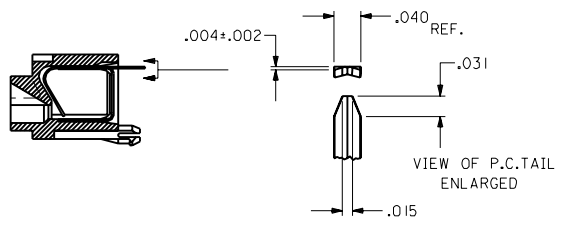
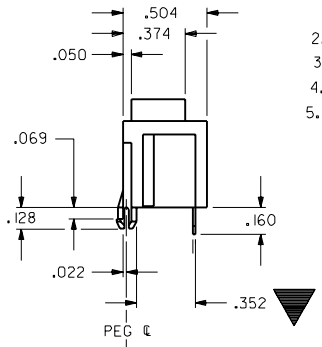
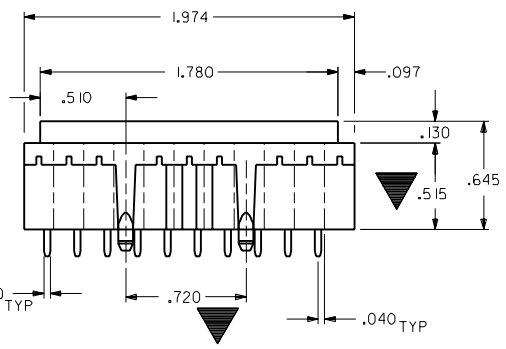
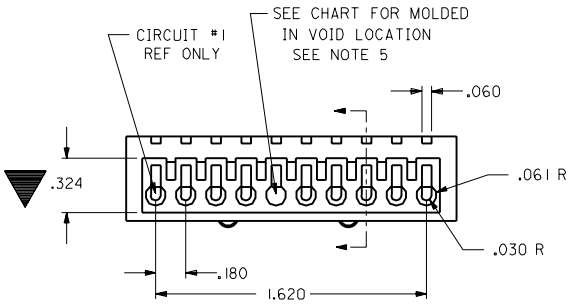
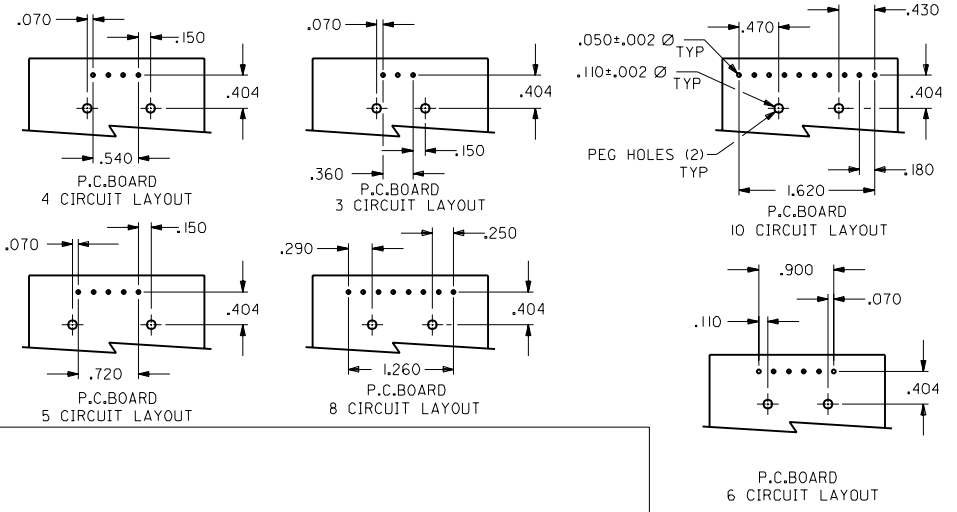


HOUSING TO BE MOLDED IN 3,4,5,6,8&10 CIRCUITS AS SHOWN  
NOTE P.C.BOARD LOCKING PEG LOCATIONS



- NOTES:
- FOR USE WITH 16AWG SOLID & 18AWG SOLID OR STRANDED WIRE WITH TIN TOP COAT OR 20AWG STRANDED WIRE WITH TIN TOP COAT. INSULATION O.D..079/.118.
  - SUGGESTED STRIP LENGTH OF MATED WIRE TO BE WITHIN .320-.380 LONG.
  - MONITORED OR CHARTED DIMENSIONS.
  - FOR PRODUCT SPECIFICATIONS SEE PS-42732.
  - TUBE PACK PER: PK-44743-003

MATERIAL:  
HOUSING- POLYESTER (7½% GLASS FILLED); COLOR- WHITE  
TERMINAL- .013 THICK PHOS. BRONZE PRE-TIN PLATE

UNLESS OTHERWISE SPECIFIED TOLERANCES: ANGULAR ± 1°		DIMENSIONS SHOWN METRIC (INCH)		▽ = 0 ▼ = 9 REVISE ONLY ON CAD SYSTEM	
INCH		METRIC		TITLE	
3 PLACE ± .006	---	3 PLACE ± .006	---	WIRE TRAP ASSEMBLY	
2 PLACE ± .001	± .023	2 PLACE ± .001	± .023	PART NO. SEE CHART	
1 PLACE ---	± .085	1 PLACE ---	± .085	MFG. SHL. REV.	
DRAFT WHERE APPLICABLE MUST REMAIN WITHIN DIMENSIONS		DRAWN BY: EDGLEY LENZ		SHEET NO. 2 OF 2 DATE 10/26/90	
APP'D BY: LENZ		SCALE: 2:1		DIV. SDA-42732-0	
LTR. REVISIONS		LTR. REVISIONS		FILE NAME: S42732X1 THIS DRAWING CONTAINS INFORMATION THAT IS PROPRIETARY TO MOLEX INC. AND SHOULD NOT BE USED WITHOUT WRITTEN PERMISSION.	
				SIZE: C	

