

4

3

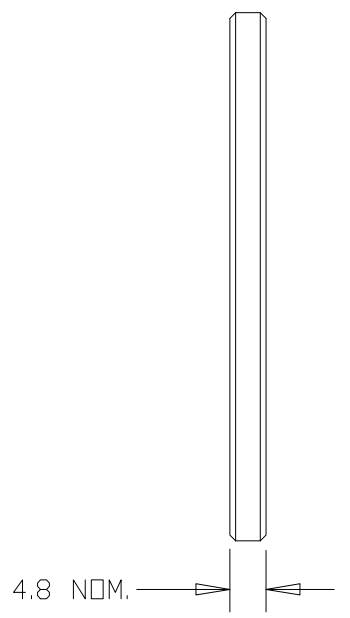
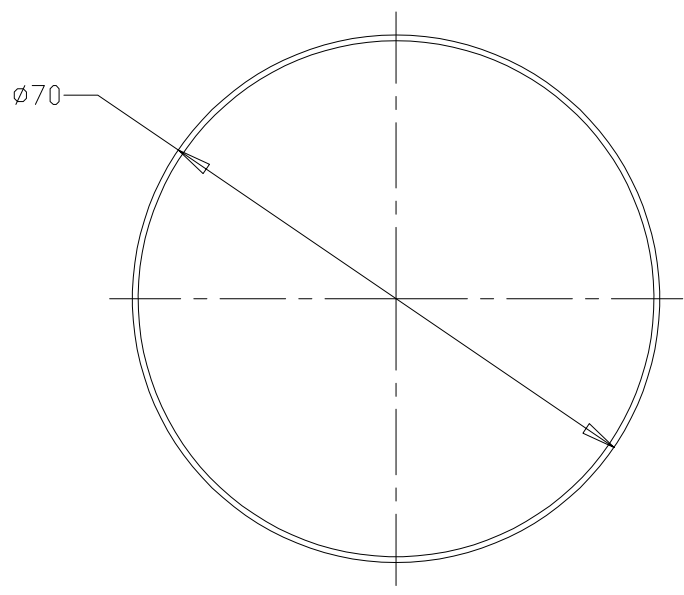
2

1


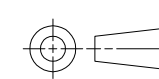
THIS DRAWING IS UNPUBLISHED. RELEASED FOR PUBLICATION 20

© COPYRIGHT 20 BY - ALL RIGHTS RESERVED.

REVISIONS					
P	LTR	DESCRIPTION	DATE	DWN	APVD
	ND	REVISED PER ECD-15-015913	04NOV2015	AG	HS
	NF	REVISED PER ECD-16-012196	11AUG2016	PV	MP



BOM (FOR INTERNAL REF. ONLY)	PART NO.	DESCRIPTION
062996-000	118902-000	IR-550-237-FLTR-DUAL-COAT

THIS DRAWING IS A CONTROLLED DOCUMENT.		DWN P. VU 11AUG2016	 TE Connectivity				
DIMENSIONS: mm		CHK N. PRZYBYLSKA 11AUG2016				NAME IR-550-237	
		APVD M. POPE 11AUG2016				DARK DOUBLE COATED FILTER	
TOLERANCES UNLESS OTHERWISE SPECIFIED:		PRODUCT SPEC -				-	
0 PLC ±- 1 PLC ±- 2 PLC ±- 3 PLC ±- 4 PLC ±- ANGLES ±-		APPLICATION SPEC -	SIZE A3	CAGE CODE -	DRAWING NO ©IR-550-237	RESTRICTED TO -	
MATERIAL -		FINISH -	WEIGHT -	SCALE NTS		SHEET 1 OF 1	REV NF
Customer Drawing							