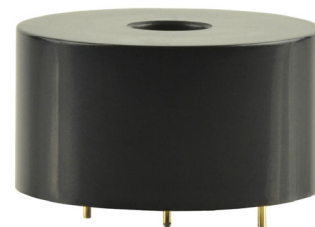


**MODEL:** CPT-3016C-120 | **DESCRIPTION:** PIEZO BUZZER TRANSDUCER**FEATURES**

- externally driven
- wave solderable
- 100 dB SPL

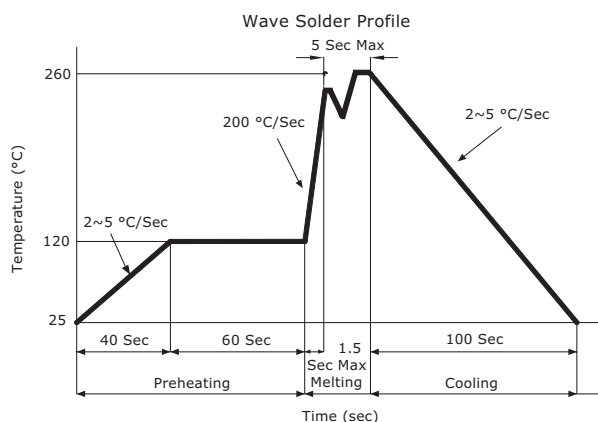
**SPECIFICATIONS**

parameter	conditions/description	min	typ	max	units
rated voltage			12		Vdc
operating voltage		5.5		16	Vdc
current consumption	at rated voltage			20	mA
rated frequency		2,900	3,400	3,900	Hz
sound pressure level	at 10 cm, rated voltage	100			dB
dimensions	Ø30.6 x 16				mm
weight				5.7	g
material	PBT +15% glass				
terminal	pin type (Au plating)				
operating temperature		-30		100	°C
storage temperature		-40		110	°C
RoHS	yes				

Notes: 1. All specifications measured at 5~35°C, humidity at 45~85%, under 86~106 kPa pressure, unless otherwise noted.

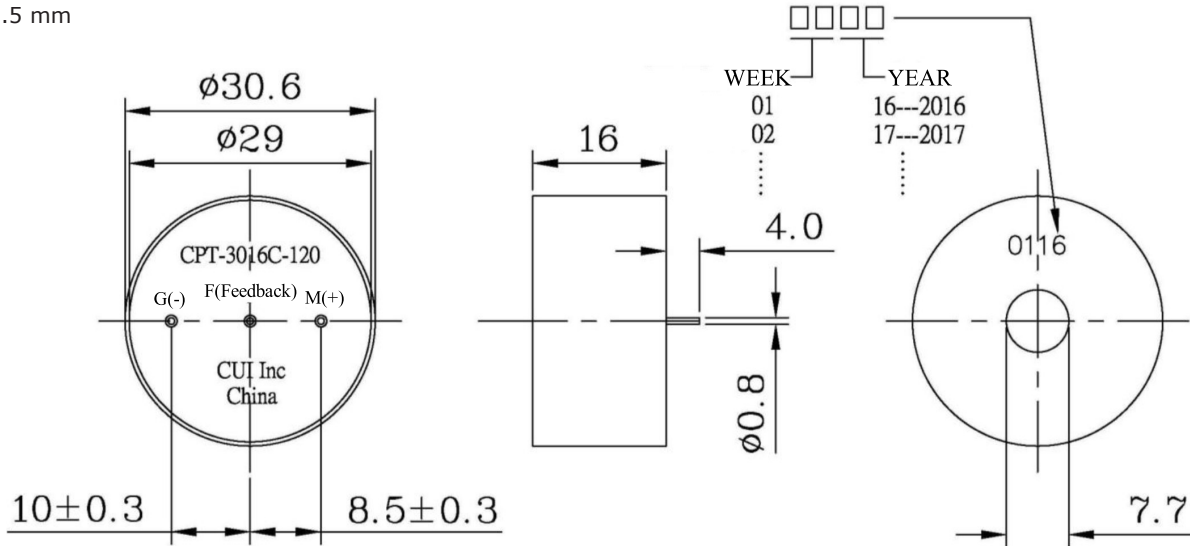
**SOLDERABILITY**

parameter	conditions/description	min	typ	max	units
hand soldering	for maximum 5 seconds	330		380	°C
wave soldering	see wave soldering profile			260	°C



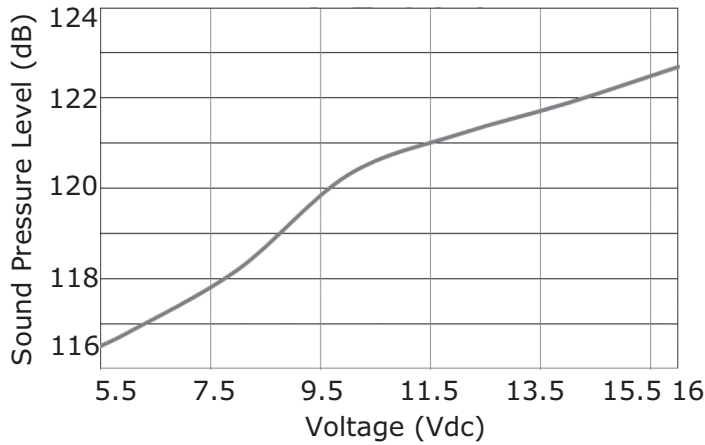
## MECHANICAL DRAWING

units: mm  
tolerance:  $\pm 0.5$  mm

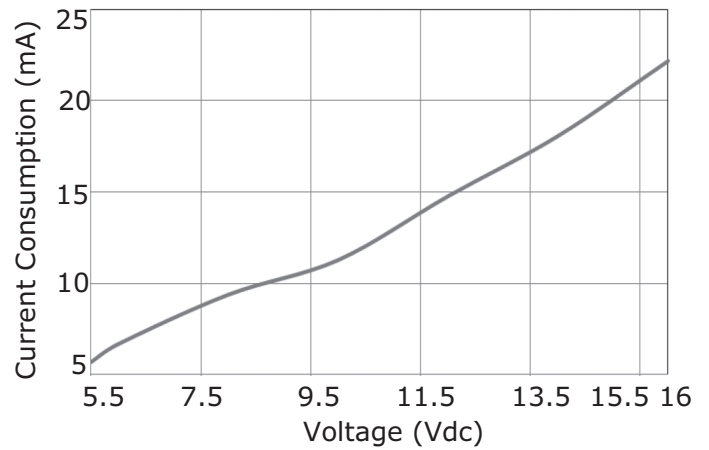


## PERFORMANCE CURVES

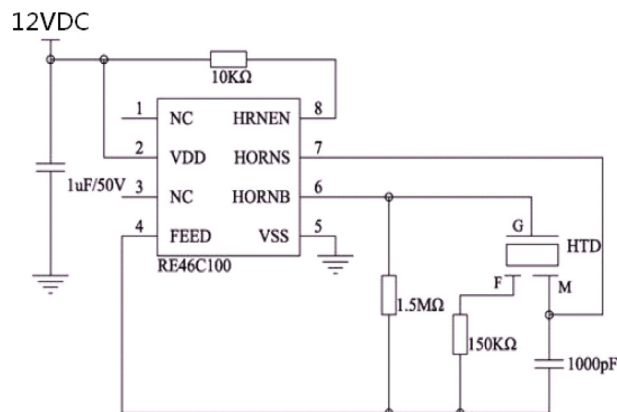
Voltage vs. Sound Pressure Level at 10 cm



Voltage vs. Current Consumption



## DRIVING CIRCUIT

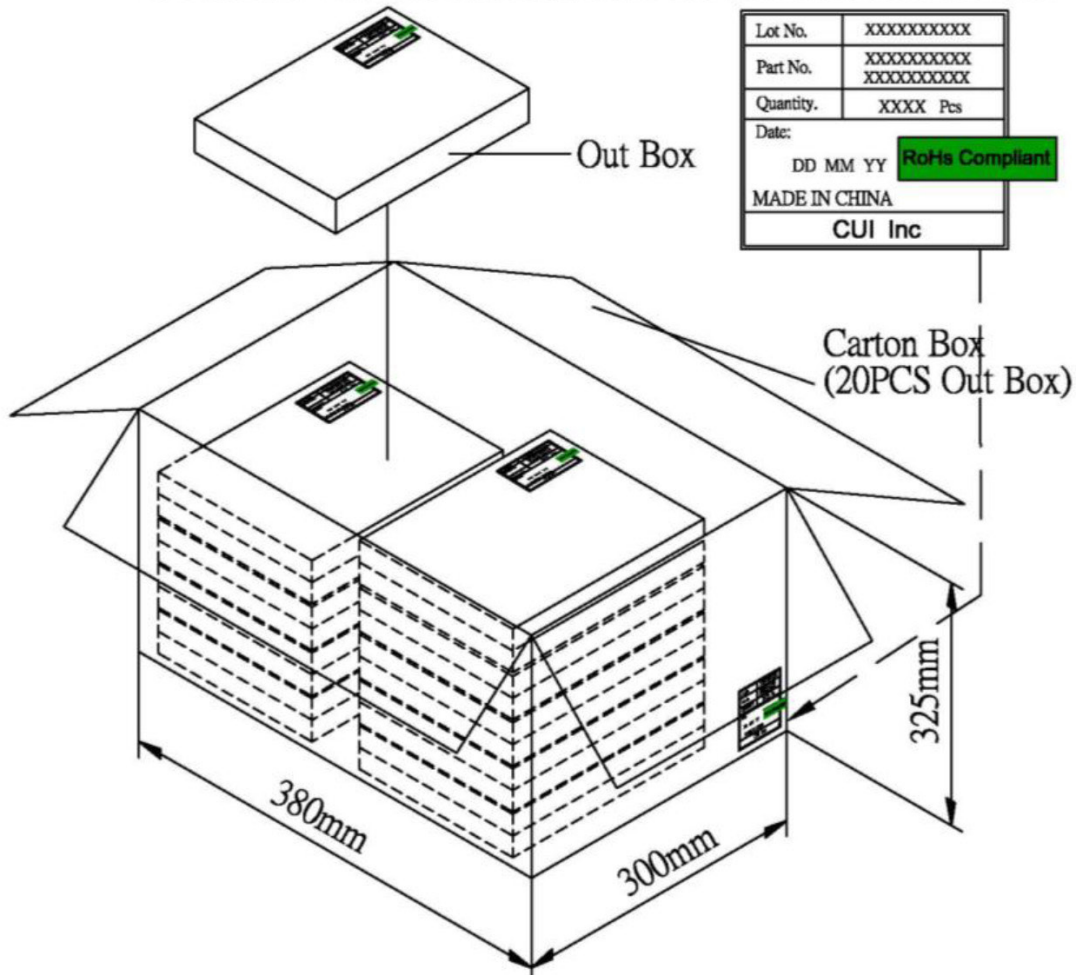
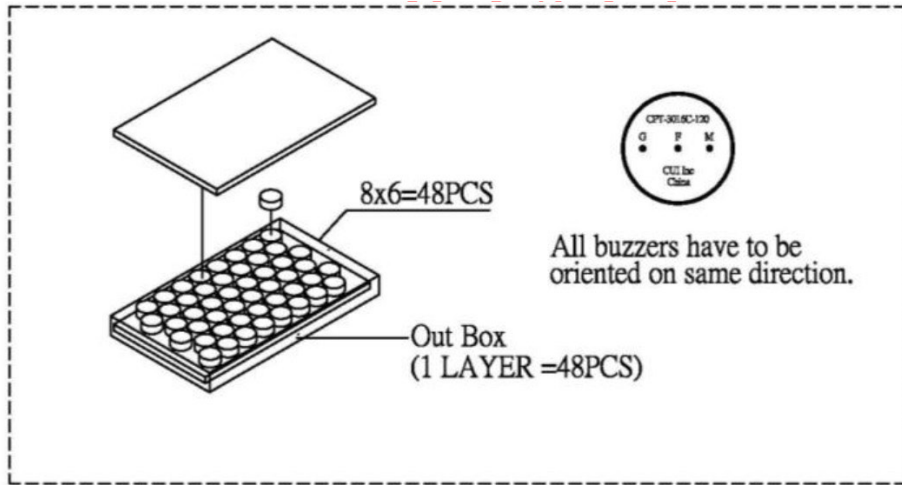


Notes: 1. The current consumption and the sound pressure level are measured by using the recommended driving circuit shown above.

## PACKAGING

units: mm

Outer Box Size: 275 x 175 x 28 mm  
 Carton Size: 380 x 300 x 325 mm  
 Outer Box QTY: 48 pcs per outer box  
 Carton QTY: 960 pcs per carton



## REVISION HISTORY

---

rev.	description	date
1.0	initial release	05/06/2016
1.01	brand update	12/05/2019

The revision history provided is for informational purposes only and is believed to be accurate.

---

# CUI DEVICES

CUI Devices offers a one (1) year limited warranty. Complete warranty information is listed on our website.

CUI Devices reserves the right to make changes to the product at any time without notice. Information provided by CUI Devices is believed to be accurate and reliable. However, no responsibility is assumed by CUI Devices for its use, nor for any infringements of patents or other rights of third parties which may result from its use.

CUI Devices products are not authorized or warranted for use as critical components in equipment that requires an extremely high level of reliability. A critical component is any component of a life support device or system whose failure to perform can be reasonably expected to cause the failure of the life support device or system, or to affect its safety or effectiveness.