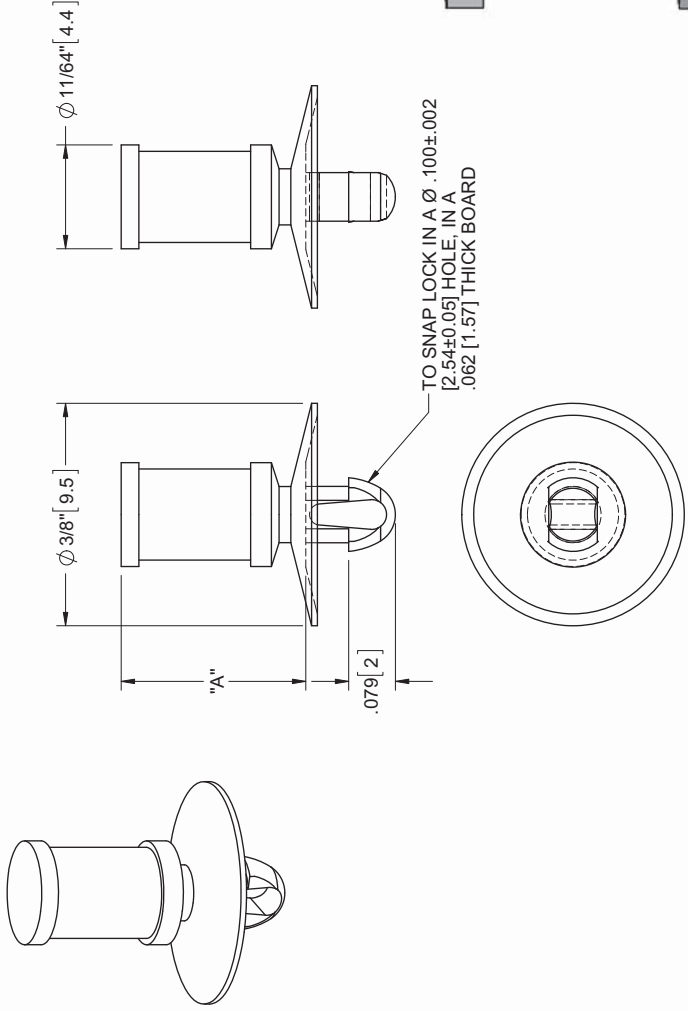
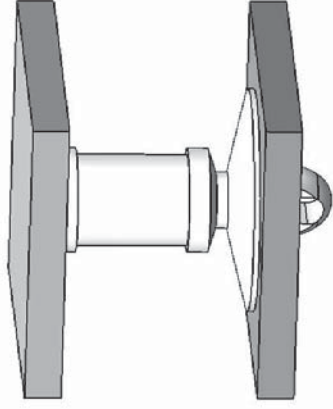


PART NO.	DIM. "A"±.015
CPST-2-01	1/8 [3.2]
CPST-3-01	3/16 [4.8]
CPST-4-01	1/4 [6.4]
CPST-5-01	5/16 [7.9]
CPST-6-01	3/8 [9.5]
CPST-7-01	7/16 [11.1]
CPST-8-01	1/2 [12.7]
CPST-9-01	9/16 [14.3]
CPST-10-01	5/8 [15.9]



TO SNAP LOCK IN A $\varnothing .100 \pm .002$
 $[2.54 \pm 0.05]$ HOLE IN A
 $.062 [1.57]$ THICK BOARD



- NOTES:
 1. STANDARD MATERIAL: NYLON 6/6 UL94 V-2 (RMS-01), COLOR NATURAL.
 2. ALTERNATE MATERIAL: NYLON 66/6 UL94 V-0 (RMS19), COLOR NATURAL.
 AVAILABLE BY SPECIAL ORDER. TO ORDER REPLACE ".01" WITH "-.19".
 3. ALTERNATE UNITS FOR REFERENCE ONLY.

TITLE: **CUPPED PUSH SPACER, TEARDROP**

REV. A	REDRAWN. SEE CO 200706	SK	09/08/11	ENGR.	DATE
	DESCRIPTION				
CREATED USING		FILE #:	CPST	DWN:	SK
UNLESS NOTED		SHEET:	1 OF 2	SHEET SIZE:	A
UNLESS NOTED		RE:	RICHCO, INC.	CHKD:	DZ
XX±.010					
XXX±.005					
FRAC=±1/64					
ANG=±1°					
UNITS=					
IN [mm]					
FINAL					
PART #					
SEE TABLE					
PRINT					
TYPE					
CA					



