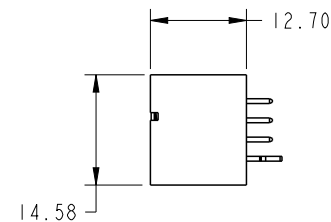
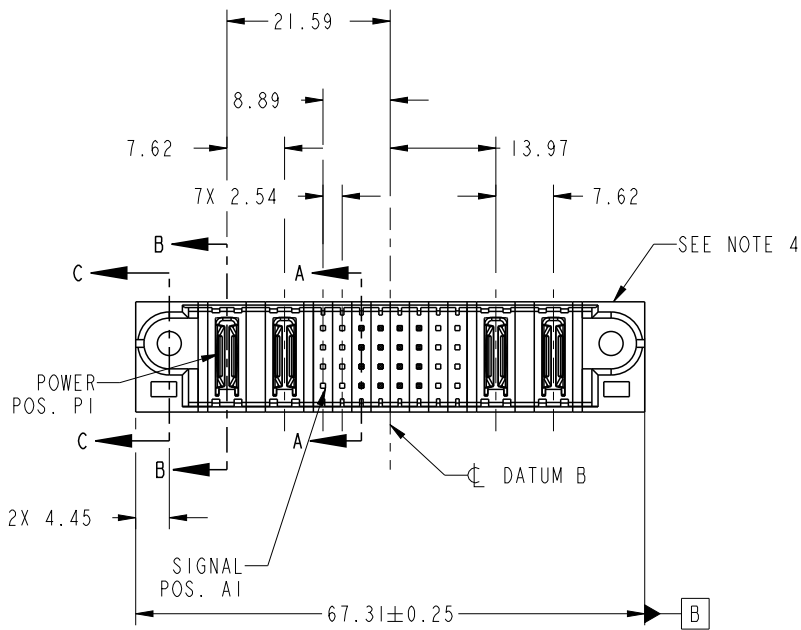


PRODUCT NO.	ROWS		POWER		SIGNAL								POWER			
		E1	P1	P2	1	2	3	4	5	6	7	8	P3	P4	E2	
51952-189-- NOTE ③	DCBA		PA	PA	X	X	E	E	E	E	E	X	X	PA	PA	

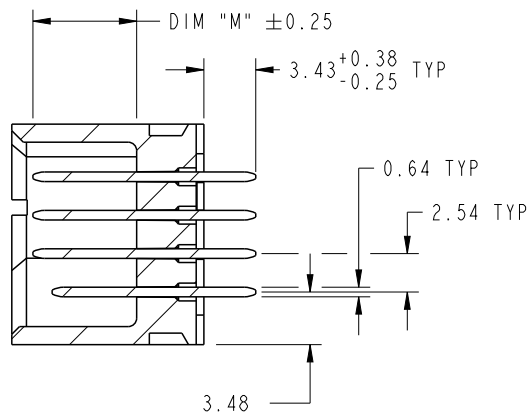


CODE	DIM "M" MATING LENGTH	CONTACT TYPE
PA	[N/A]	POWER
E	[6.86]	SIGNAL
HA	[N/A]	HOLD-DOWN
H	[5.59]	SIGNAL
X	OMITTED	OMITTED

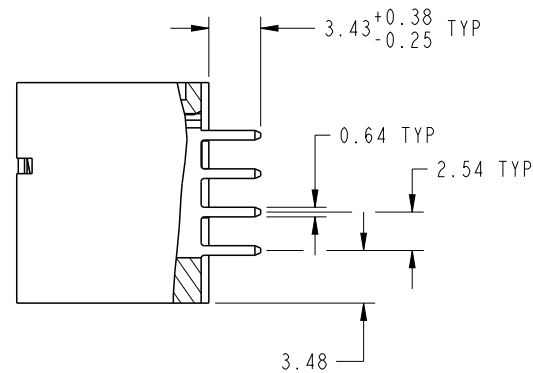
spec ref	SEE NOTE	dr	X Q Wang	2011/05/10	projection	MM	size	A4	scale	1:1
tolerance std	TOLERANCES UNLESS OTHERWISE SPECIFIED	eng	X Q Wang	2011/05/25		←→	ecn no	-	rel level	Released
SEE NOTE		chr	-	-						
surface		linear	0.X	±0.5	 title 2ACP + 32S +2ACP VERTICAL SOLDER HEADER cat. no. -	product family PwrBlade dwg no 51952-189 rev A				
		0.XX	±0.25							
	angular	0°	±2°							
		appr	Pei-Ming Zheng	-	Product - Customer Drw		sheet 1 of 4			

PRODUCT NUMBER

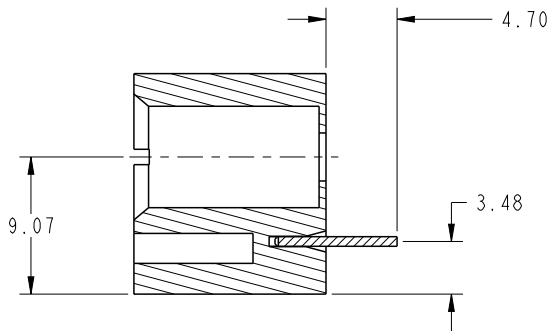
51952-189--  
NOTE 3



SECTION A-A  
SCALE 2:1



SECTION B-B  
SCALE 2:1



SECTION C-C  
SCALE 2:1

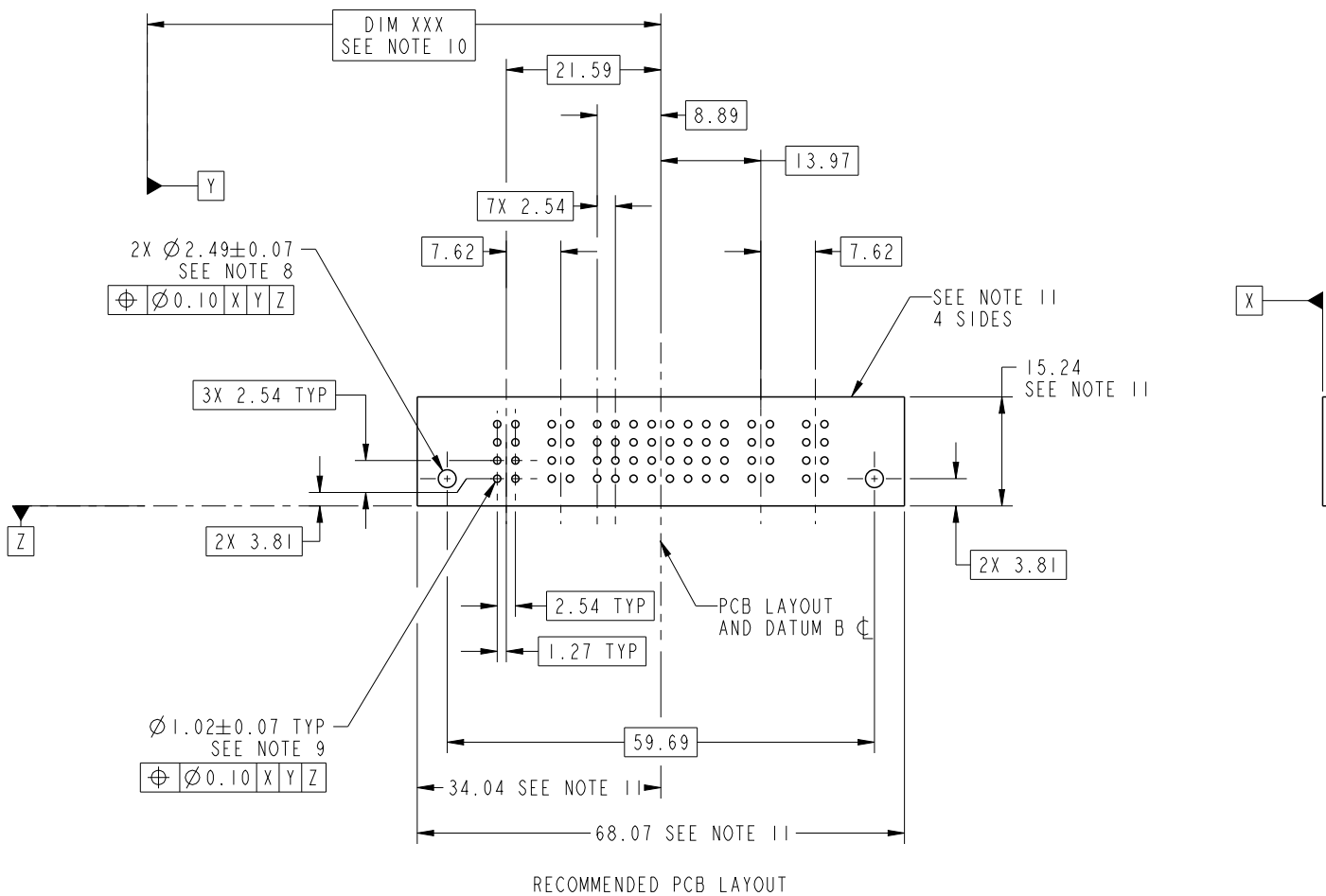
spec ref		SEE NOTE		dr	X Q Wang	2011/05/10	projection 	MM 	size	A4	scale	1:1	
tolerance std		TOLERANCES UNLESS OTHERWISE SPECIFIED		eng	X Q Wang	2011/05/25			ecn no	-			
SEE NOTE				chr	-	-			rel level		Released		
surface	✓	linear	0.X	±0.5	FCI 	title	2ACP + 32S + 2ACP VERTICAL SOLDER HEADER		dwg no	51952-189		rev	A
			0.XX	±0.25									
			0.XXX	±0.1									
angular	0°	±2°	www.fci.com	cat. no.	-	Product - Customer Drw		sheet 2 of 4					



Copyright FCI.

PRODUCT NUMBER

51952-189\_\_  
NOTE 3



spec ref	SEE NOTE			dr	X Q Wang	2011/05/10	projection 	MM ←→	size	A4	scale	1:1
tolerance std	TOLERANCES UNLESS OTHERWISE SPECIFIED			eng	X Q Wang	2011/05/25			ecn no	-		
SEE NOTE				chr	-	-			rel level	Released		
surface	linear	0.X	±0.5	FCi www.fci.com	title			dwg no	51952-189	rev	A	
✓		0.XX	±0.25		2ACP + 32S + 2ACP							
	0.XXX	±0.1	VERTICAL SOLDER HEADER									
angular	0°	±2°	cat. no.	-	Product - Customer Drw			sheet 3 of 4				

PRODUCT NUMBER

51952-189\_\_  
NOTE 3

NOTES:

1. DIMENSIONS AND TOLERANCES ARE IN ACCORDANCE WITH ASME Y14.5M, 1994 UNLESS OTHERWISE SPECIFIED.

CONNECTOR NOTES:

- ② HOUSING MATERIAL: UL 94 V-0 GLASS FILLED HIGH-TEMP THERMOPLASTIC  
POWER CONTACT MATERIAL: COPPER ALLOY  
SIGNAL PIN MATERIAL: COPPER ALLOY
  - 3. SEE ITEM 1 & 2 IN PRINT 10064183 FOR PLATING SPEC OF 51952-189 AND 51952-189LF RESPECTIVELY.
  - ④ MANUFACTURER'S NAME, DATE CODE AND OPTIONAL P/N TO APPEAR ON THIS SURFACE. THE P/N CAN BE OMITTED IF THERE IS NOT ENOUGH SPACE ON THIS SURFACE.
  - 5. PRODUCT SPECIFICATION GS-12-149.  
APPLICATION SPECIFICATION BUS-20-067.
  - 6. PACKAGED IN TRAYS.
- PCB NOTES:
- 7. ALL HOLE DIAMETERS ARE FINISHED HOLE SIZE.
  - 8. MOUNTING HOLES, WHERE APPLICABLE, ARE UNPLATED.
  - ⑨  $\varnothing 1.151 \pm 0.025$  DRILLED HOLES PLATED WITH 0.008 MIN SnPb OR Sn OVER .001 [0.03] TO 0.08 Cu PLATING TO ACHIEVE  $\varnothing 1.02 \pm 0.07$  HOLE.
  - ⑩ "DIM XXX" TO BE DETERMINED BY THE CUSTOMER.
  - ⑪ CONNECTOR KEEP-OUT ZONE.

spec ref		SEE NOTE		dr	X Q Wang	2011/05/10	projection 	MM 	size	A4	scale	1:1	
tolerance std		TOLERANCES UNLESS OTHERWISE SPECIFIED		eng	X Q Wang	2011/05/25			ecn no	-			
SEE NOTE				chr	-	-			product family		PwrBlade		rel level
surface	✓	linear	0.X	$\pm 0.5$		title	2ACP + 32S + 2ACP		dwg no	51952-189		rev	A
			0.XX	$\pm 0.25$			VERTICAL SOLDER HEADER						
			0.XXX	$\pm 0.1$			www.fci.com			cat. no.	-	Product - Customer Drw	
angular		0°	$\pm 2^\circ$										



Copyright FCI.