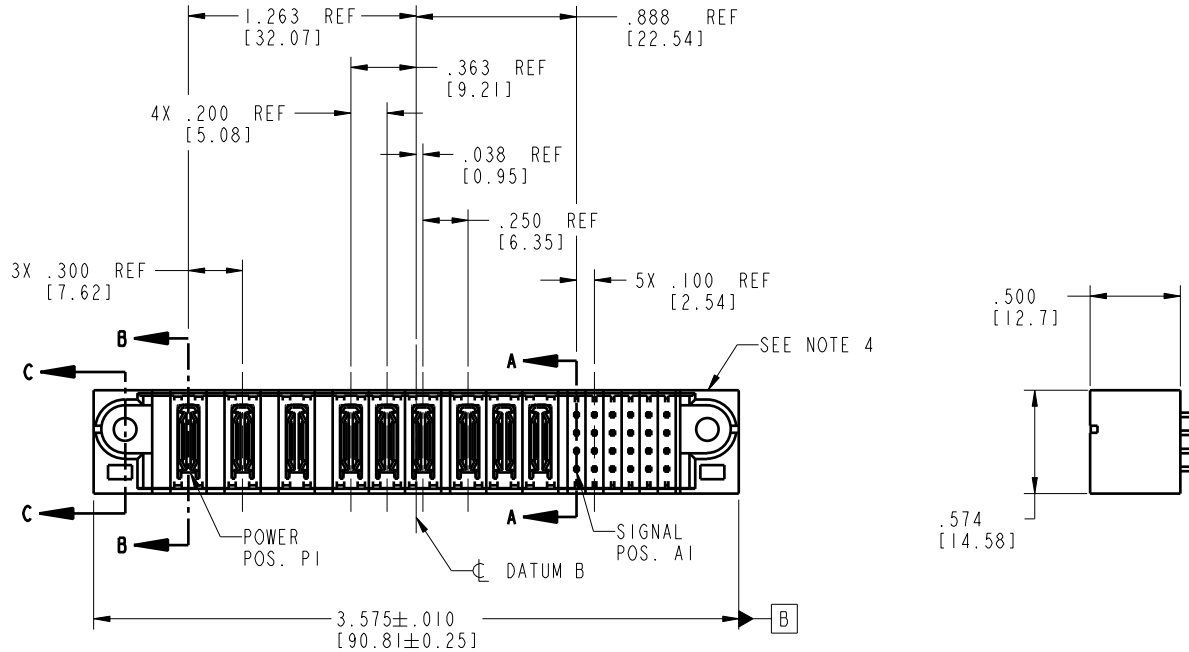


Tous droits strictement réservés. Reproduction ou communication o des liers interdite sous quelque forme que ce soit sans autorisation écrite du propriétaire. Propriété de c FCI. Droits de reproduction FCI.



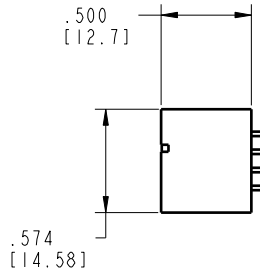
All rights strictly reserved. Reproduction or issue to third parties in any form without is not permitted without written authority from the proprietor. Property of FCI. Copyright FCI.

PRODUCT NO.	ROWS	POWER									SIGNAL								
		E1	P1	P2	P3	P4	P5	P6	P7	P8	P9	1	2	3	4	5	6	E2	
51952-087-- NOTE ③	0 A		PA	PA	PA	PA	PA	PA	PA	PA	PA	PA	PA	PA	PA	PA	PA	PA	



CODE	DIM "M" MATING LENGTH	CONTACT TYPE
PA	N/A [N/A]	POWER
E	.270 [6.86]	SIGNAL
H	.220 [5.59]	SIGNAL

mat'l code				SEE NOTE 2		tolerances unless otherwise specified		CUSTOMER		<b>FCI</b>	
lir	ecm no.	dr	date	linear	linear	linear	linear	linear	linear	linear	linear
A	DG06-0022	RYAN	01/18/06		.XX±.01/0.X±0.3						
					.XXX±.005/0.XX±0.13						
					.XXX±.002/0.XXX±0.051						
					angles	0°±2°					
				dr	RYAN YUAN	01/18/06					
				eng	STEVEN WANG	01/18/06					
				chr	BEER FU	01/18/06					
				opod	JOSEPH HSIA	01/18/06					
sheet index	revision	A	A	A	A	A					
	sheet	1	2	3	4						



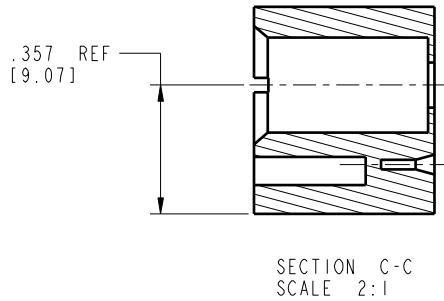
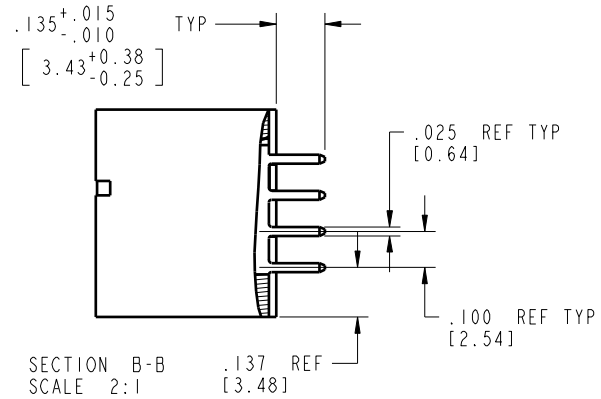
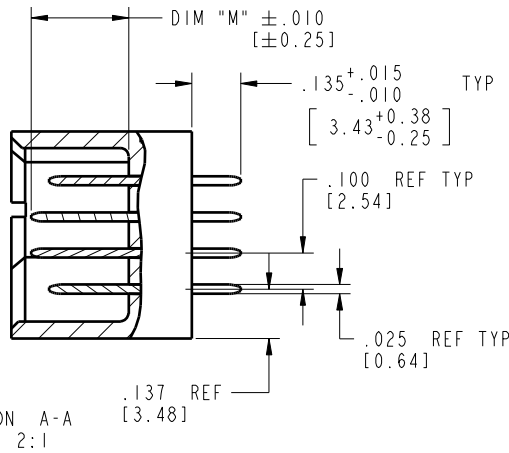
Pro/E				3		code code		22526		4	
-------	--	--	--	---	--	-----------	--	-------	--	---	--

Tous droits strictement réservés. Reproduction ou communication à des tiers interdite sous quelque forme que ce soit sans autorisation écrite du propriétaire. Propriété de c FCI. Droits de reproduction FCI.

All rights strictly reserved. Reproduction or issue to third parties in any form whatsoever is not permitted without written authority from the proprietor. Property of FCI. Copyright FCI.

PRODUCT NUMBER

51952-087--  
NOTE ③



mat'l code SEE NOTE 2				tolerances unless otherwise specified		CUSTOMER		<b>FCI</b> www.fciconnect.com	
lir	ecn no.	dr	date	linear	.XX±.01/0.X±0.3	COPY		projection	
A					.XXX±.005/0.XX±0.13	INCH/MM		title 9P + 24S	
				angles	.XXX±.002/0.XXX±0.051	scale 1:1		VERTICAL STB HEADER	
				dr	RYAN YUAN 01/18/06	product family PwrBlade		code 213	
				eng	STEVEN WANG 01/18/06	size A		dwg no 51952-087	
				chr	BEER FU 01/18/06			sheet 2 of 4	
				appd	JOSEPH HSIA 01/18/06				
sheet index		revision sheet							

code code 22526

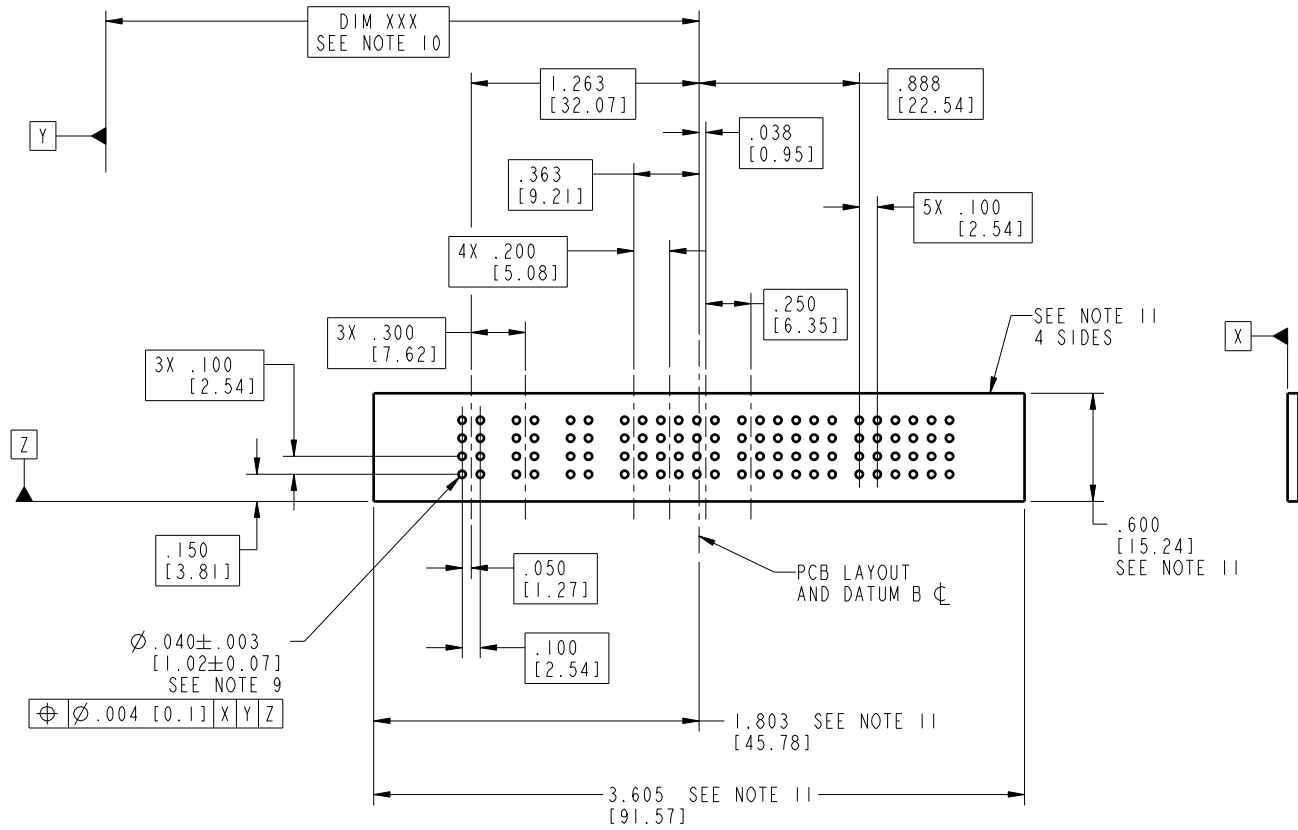
Pro/E

Tous droits strictement réservés. Reproduction ou communication o des liers interdite sous quelque forme que ce soit sans autorisation écrite du propriétaire. Propriété de c FCI. Droits de reproduction FCI.

All rights strictly reserved. Reproduction or issue to third parties in any form whatsoever is not permitted without written authority from the proprietor. Property of FCI. Copyright FCI.



**PRODUCT NUMBER**  
51952-087--  
NOTE ③



$\varnothing .040 \pm .003$   
[1.02 ± 0.07]  
SEE NOTE 9  
 $\varnothing .004$  [0.1] X Y Z

mat'l code				SEE NOTE 2	tolerances unless otherwise specified		CUSTOMER		<b>FCI</b>	www.fciconnect.com				
lir	ecn no.	dr	date	linear	.XX±.01/0.X±0.3	COPY		projection		title		9P + 24S		
A				angles	.XXX±.005/0.XX±0.13	INCH/MM			VERTICAL STB HEADER		product family	PwrBlade	code	213
				dr	.XXX±.002/0.XXX±0.051	scale			1:1	size	dwg no	51952-087	sheet	3 of 4
				engr	RYAN YUAN 01/18/06				A					
				chr	STEVEN WANG 01/18/06									
				appd	BEER FU 01/18/06									
					JOSEPH HSIA 01/18/06									
sheet index	revision													
	sheet													

code code 22526

Pro/E

Tous droits strictement réservés. Reproduction ou communication à des tiers interdite sans quelque forme que ce soit sans autorisation écrite du propriétaire. Propriété de c FCI. Droits de reproduction FCI.



All rights strictly reserved. Reproduction or issue to third parties in any form whatsoever is not permitted without written authority from the proprietor. Property of FCI. Copyright FCI.

1 | 2

3 |

4

**PRODUCT NUMBER**  
51952-087--  
NOTE ③

NOTES:

1. DIMENSIONS AND TOLERANCES ARE IN ACCORDANCE WITH ASME Y14.5M, 1994 UNLESS OTHERWISE SPECIFIED.

CONNECTOR NOTES:

② HOUSING MATERIAL: UL 94 V-0 GLASS FILLED HIGH-TEMP THERMOPLASTIC  
POWER CONTACT MATERIAL: COPPER ALLOY  
SIGNAL PIN MATERIAL: COPPER ALLOY

3. PLATING:  
51952-087; 51952-087LF; 51952-087GLF SEE PRINT 10064183

④ MANUFACTURER'S NAME, P/N, AND DATE CODE TO APPEAR ON THIS SURFACE.

5. PRODUCT SPECIFICATION GS-12-149.  
APPLICATION SPECIFICATION BUS-20-067.

6. PACKAGED IN TRAYS.

PCB NOTES:

7. ALL HOLE DIAMETERS ARE FINISHED HOLE SIZE.

8. MOUNTING HOLES, WHERE APPLICABLE, ARE UNPLATED.

⑨  $\varnothing .0453 \pm .0010$  [1.151  $\pm$  0.025] DRILLED HOLES PLATED WITH  
.0003 [0.008] MIN SnPb OVER .001 [0.03]  
TO .003 [0.08] Cu PLATING TO ACHIEVE  
 $\varnothing .040 \pm .003$  [1.02  $\pm$  .07] HOLE.

⑩ "DIM XXX" TO BE DETERMINED BY THE CUSTOMER.

⑪ CONNECTOR KEEP-OUT ZONE.

mat'l code				SEE NOTE 2	tolerances unless otherwise specified		CUSTOMER		A FCI		www.fciconnect.com	
lir	ecr no.	dr	date	linear	.XX±.01/0.X±0.3	COPY		projection		title		
A					.XXX±.005/0.XX±0.13					9P + 24S		
				angles	.XXX±.002/0.XXX±0.051					VERTICAL STB HEADER		
				dr	0° ± 2°							
				eng	RYAN YUAN 01/18/06	INCH/MM		product family		PwrBlade		code
				chr	STEVEN WANG 01/18/06			size		dwg no		213
				appd	BEER FU 01/18/06			scale		51952-087		sheet
					JOSEPH HSIA 01/18/06			1:1				4 of 4
sheet index	revision		sheet									

1 | 2

Pro/E

3 |

code code 22526

4