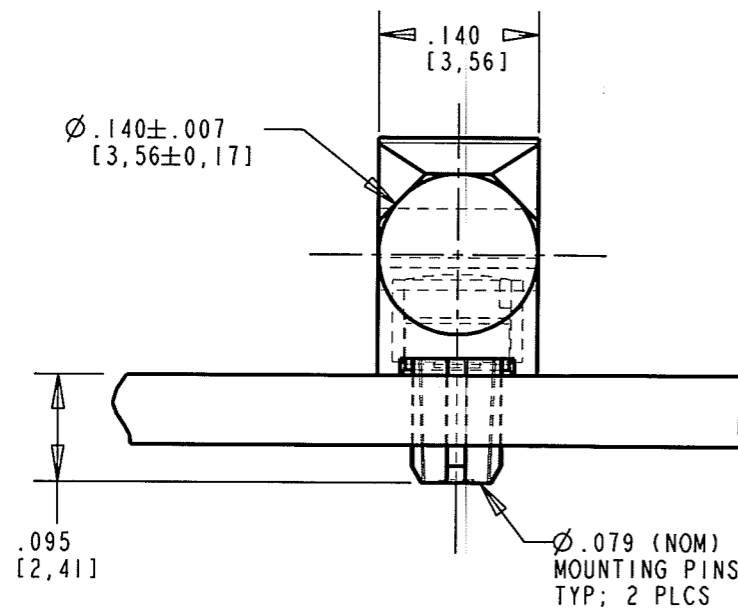


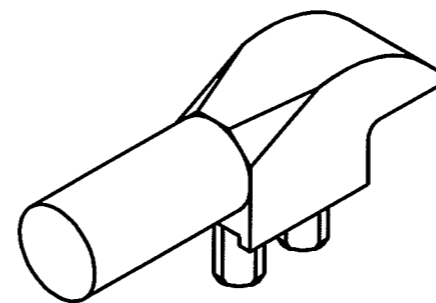
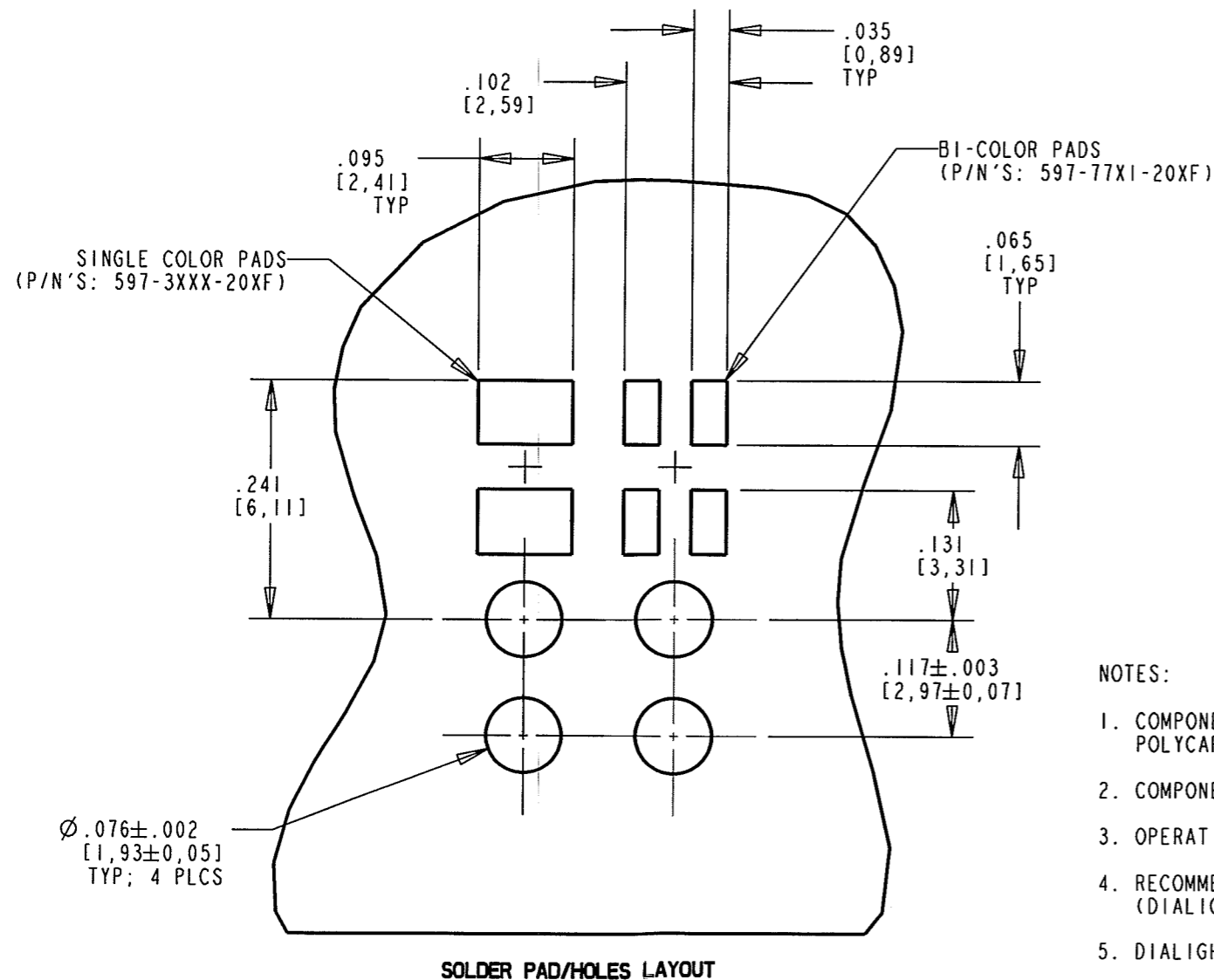
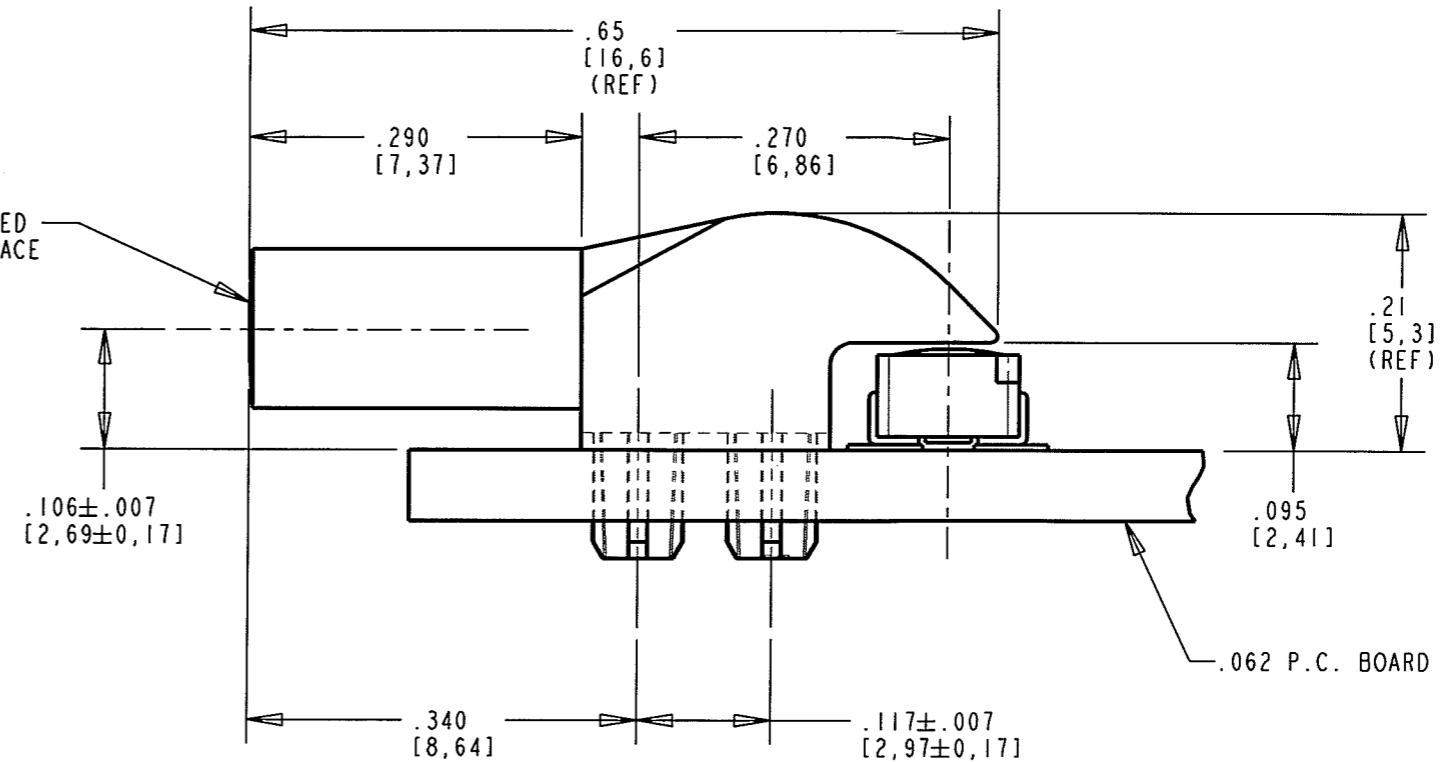
# RoHS COMPLIANT 515-1049F

Part Numbers with the "F" suffix ending are RoHS Compliant.  
Packaging is marked with "RoHS Compliant" label or equivalent markings.

REV	ECN NO	REVISIONS	DRN	CKD	APP	DATE
A		NEW RELEASE	KLJ	7,8	[Signature]	8/14/08



CURVED & DIFFUSED FRONT SURFACE



SCALE 4.000

## NOTES:

- COMPONENTS TO BE MOLDED IN A CLEAR TRANSMISSIVE POLYCARBONATE (UL 94V-0 FLAMMABILITY).
- COMPONENTS DESIGNED TO BE PRESSED INTO P.C. BOARD.
- OPERATING/STORAGE TEMPERATURE:  $-30^{\circ}\text{C}$  TO  $+100^{\circ}\text{C}$
- RECOMMENDED LIGHT SOURCES: SINGLE OR BI-COLOR SMT LEDS (DIALIGHT P/N'S: 597-3XXX-20XF, 597-77X1-20XF)
- DIALIGHT PART NUMBER: 515-1049F

THIS DRAWING AND THE CONTENTS HEREIN ARE CONFIDENTIAL AND THE SOLE PROPERTY OF DIALIGHT. REPRODUCTION OF THIS DRAWING OR CONSTRUCTION OF ANY PARTS WITHIN THIS DRAWING ARE FORBIDDEN WITHOUT THE WRITTEN CONSENT OF DIALIGHT.

SCALE: 6.000	DRAWING NUMBER	REV
ALL DIM'S IN: INCHES (MM)	C-17650	A
TOLERANCES: UNLESS OTHERWISE SPECIFIED	TITLE SINGLE-ELEMENT LIGHT PIPE RoHS COMPLIANT	
FRACTIONS: $\pm 1/64$	MATERIAL	
DECIMALS (.XX): $\pm .02$	Dialight	
DECIMALS (.XXX): $\pm .015$	1501 ROUTE 34 SOUTH FARMINGDALE, NJ 07727	
DECIMALS (.XXXX): $\pm .0005$	FINISH:	
ANGLES: $\pm 3^{\circ}$	FSCM 83330	
	SHEET 1 OF 1 FAMILY TABLE:	