

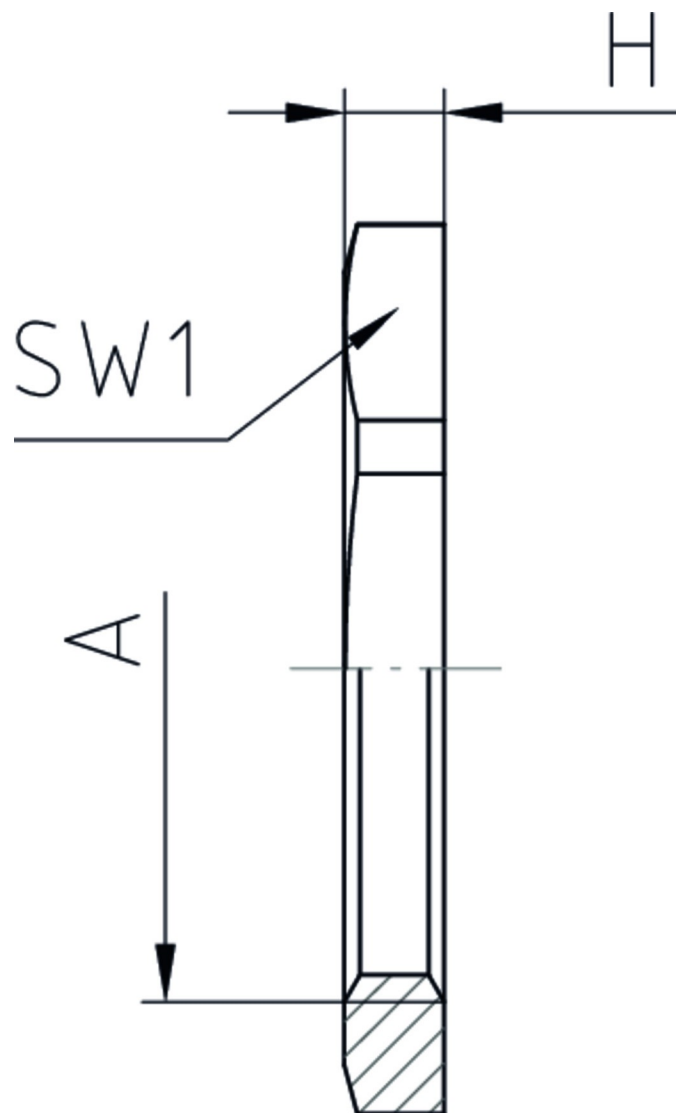
Hexagonal locknut

50.2xx M


Hexagonal locknut	Brass CuZn39Pb3, nickel-plated
Internal thread	metric as per EN 60423 and ISO 724*


Properties

Temperature range	-60 °C +200 °C	<ul style="list-style-type: none"> for secure tightening of cable glands and accessories
-------------------	-------------------	---



Features

A	SW1	H	 VPE	Part No.
M12x1,5	15	2,8	100	50.212 M
M16x1,5	19	2,8	100	50.216 M
M20x1,5	24	3	100	50.220 M

A	SW1	H	 VPE	Part No.
M25x1,5	30	3,5	100	50.225 M
M32x1,5	36	4	100	50.232 M
M40x1,5	46	5	50	50.240 M
M50x1,5	60	5	50	50.250 M
M63x1,5	70	6	50	50.263 M
M72x2,0*	81	8	10	50.272 M
M75x1,5	90	8	5	50.275 M
M80x2,0*	90	8	5	50.280 M
M85x2,0*	100	8	5	50.285 M
M90x2,0	100	8	5	50.290 M
M100x3,0*	125	11	5	50.2100 M
M110x3,0*	125	11	5	50.2110 M

* metric, as per ISO 724