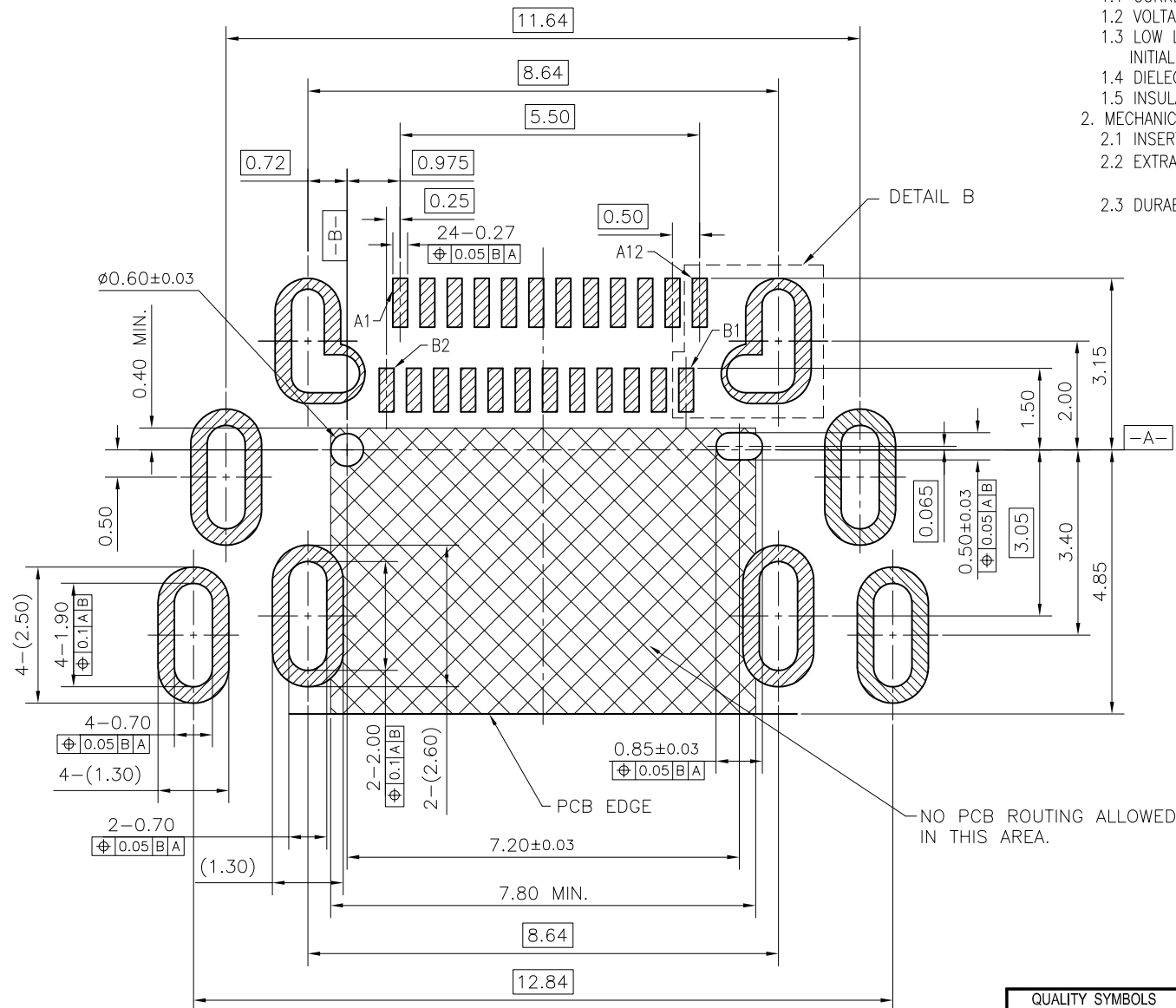


- NOTES:
 1. MATERIAL: SEE THE TABLE
 2. FINISH: SEE THE TABLE
 3. SPEC. PLS. REFER TO SPEC-31863-XXXX-XXX
 4. PACKAGE PLS REFER TO 31863-024XX-001-PCK
 5. PART NUMBER

31863-024 X X-001
 NO OF CKT X X
 PACKING X PLATING
 0: TAPE & REEL D: 30u" MIN. GOLD ON CONTACT

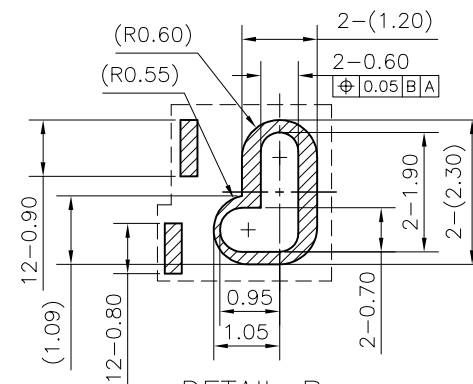
NO	DESCRIPTION	Q'TY	MATERIAL	PLATING & COLOR
5	OUTER SHELL	1	STAINLESS STEEL	50u" MIN. NICKEL OVERALL.
4	INNER SHELL	1	STAINLESS STEEL	50u" MIN. NICKEL OVERALL.
3	MID-PLATE	1	STAINLESS STEEL	50u" MIN. NICKEL OVERALL.
2	TERMINAL	24	COPPER ALLOY	D: 30u" MIN. GOLD ON CONTACT. 50u" MIN. NICKEL OVERALL. GOLD FLASH ON SOLDER TAILS.
1	HOUSING	1	THERMOPLASTIC, HIGH TEMP., UL94V-0	BLACK

QUALITY SYMBOLS MAJOR Ⓜ CRITICAL Ⓢ GENERAL TOLERANCES (UNLESS SPECIFIED) X. ±0.5 .X ±0.25 .XX ±0.15 .XXX ±0.1 ANGLES ±2°	DRAWN BY Hsu, Wei Chun 20/11/23	DATE 20/11/23	
	CHECKED BY Chang, Chun Te 20/11/23	DATE 20/11/23	
	APPROVED BY Kuo, Rong Hsun 20/11/23		RFO NO. N/A
	UNITS mm		SIZE A4
	SCALE 4:1	SHEET NO. 1 OF 2	REV A
			DWG NO. 31863-024XX-XXX



NOTES:

- 1 ELECTRICAL CHARACTERISTICS:
 - 1.1 CURRENT RATING: 9.0A
 - 1.2 VOLTAGE RATING: 20V
 - 1.3 LOW LEVEL CONTACT RESISTANCE: INITIAL: 40MΩ MAX. , AFTER: 50MΩ MAX.
 - 1.4 DIELECTRIC WITHSTANDING VOLTAGE: 100VAC FOR 1 MINUTE.
 - 1.5 INSULATION RESISTANCE: 100MΩ MIN.
2. MECHANICAL CHARACTERISTICS :
 - 2.1 INSERTION FORCE: 5N~20N
 - 2.2 EXTRACTION FORCE: 8N~20N (INITIAL) 6N~20N (AFTER TEST)
 - 2.3 DURABILITY: 10,000 CYCLES



A12	GND	B1	GND
A11	SSRXp2	B2	SSTXp2
A10	SSRXn2	B3	SSTXn2
A9	VBUS	B4	VBUS
A8	SBU1	B5	CC2
A7	Dn1	B6	Dp2
A6	Dp1	B7	Dn2
A5	CC1	B8	SBU2
A4	VBUS	B9	VBUS
A3	SSTXn1	B10	SSRXn1
A2	SSTXp1	B11	SSRXp1
A1	GND	B12	GND
PIN	SIGNAL NAME	PIN	SIGNAL NAME

RECOMMENDED PCB LAYOUT

TOP VIEW
SCALE 8:1
(TOLERANCE=±0.05mm)

QUALITY SYMBOLS		DRAWN BY		DATE	
MAJOR		Hsu, Wei Chun		20/11/23	
CRITICAL		CHECKED BY		DATE	
GENERAL TOLERANCES (UNLESS SPECIFIED)		Chang, Chun Te		20/11/23	
X. ±0.5		APPROVED BY		DATE	
.X ±0.25		Kuo, Rong Hsun		20/11/23	
.XX ±0.15		UNITS		SIZE	RFO NO.
.XXX ±0.1		mm		A4	N/A
ANGLES ±2°		SCALE		REV	DWG NO.
		4:1		A	31863-024XX-XXX
		SHEET NO.			
		2 OF 2			