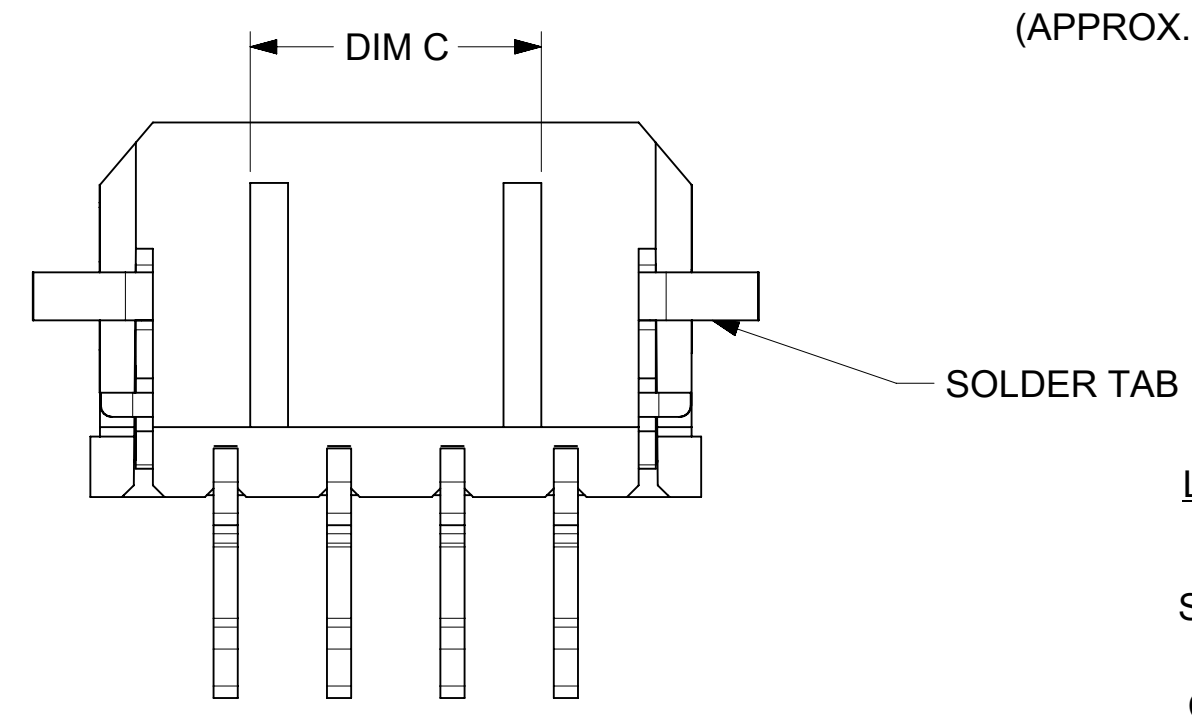
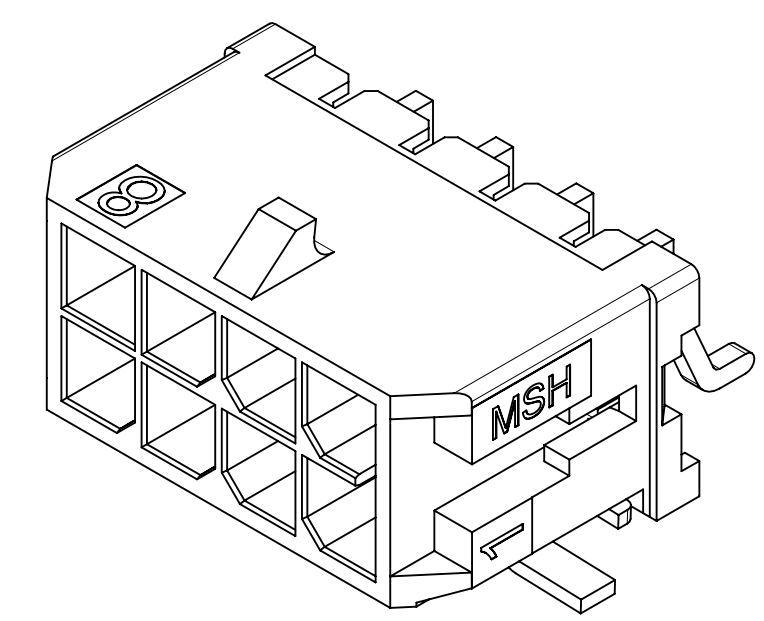
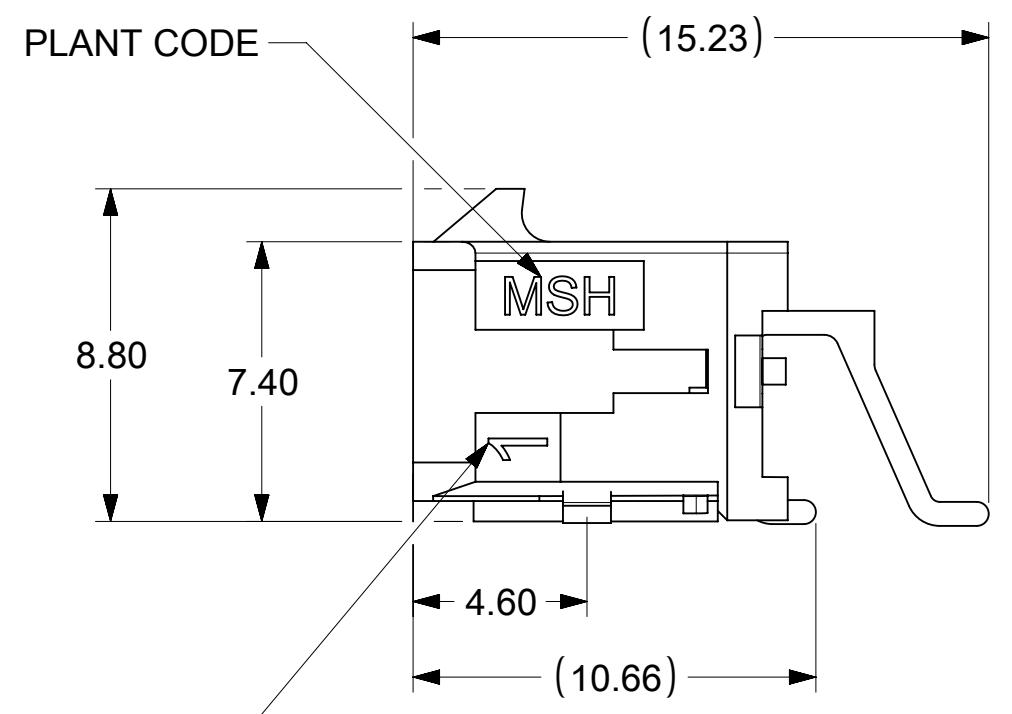
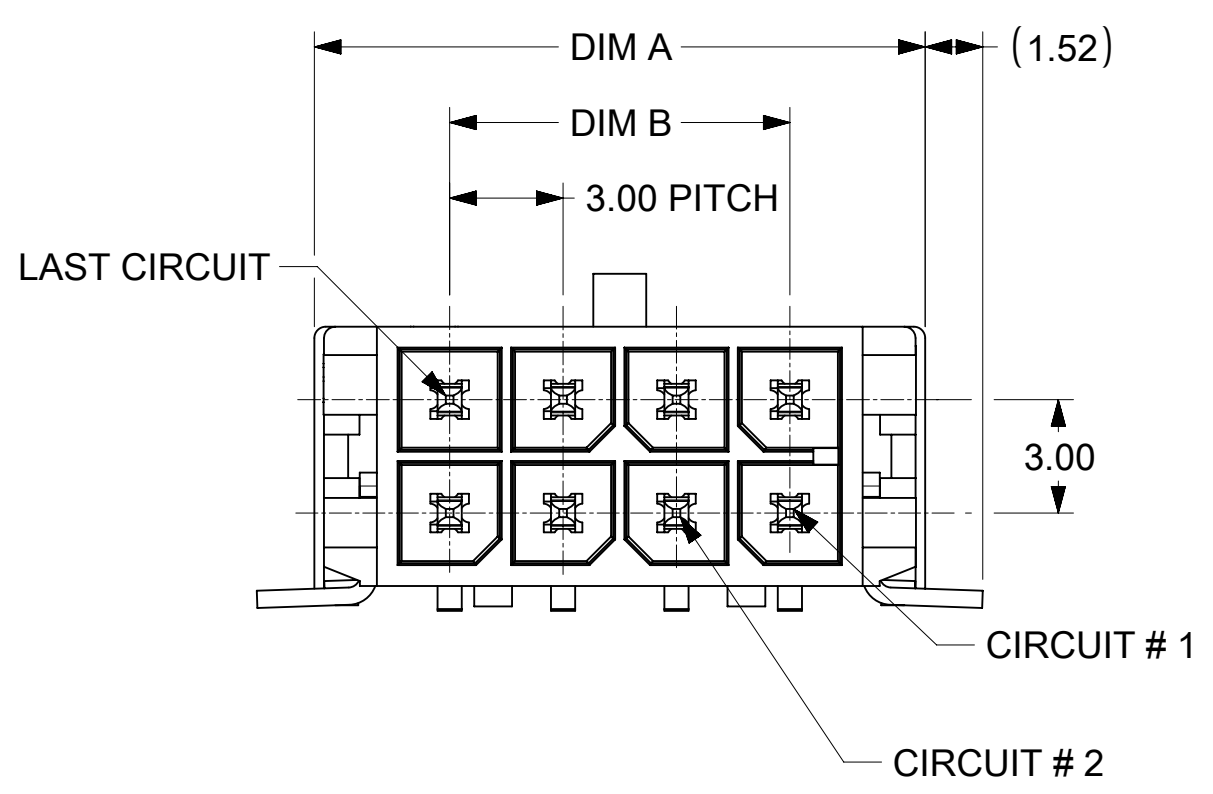
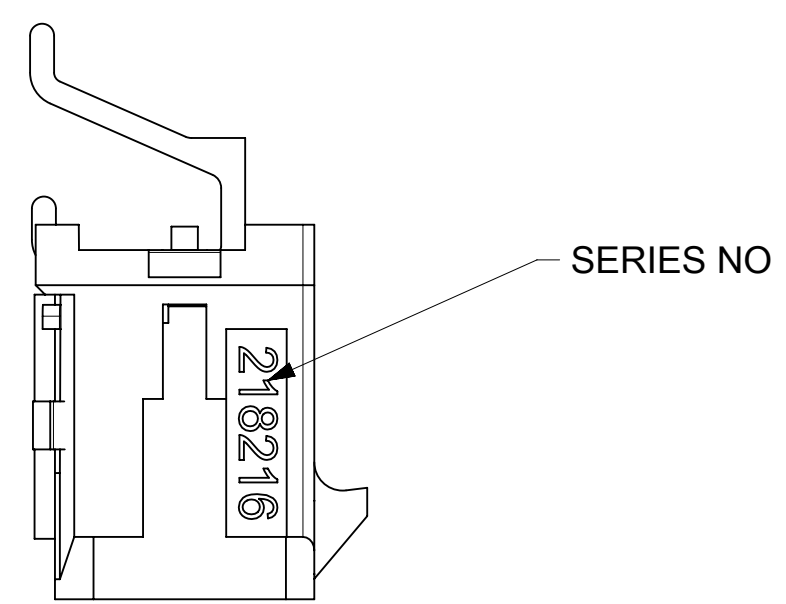
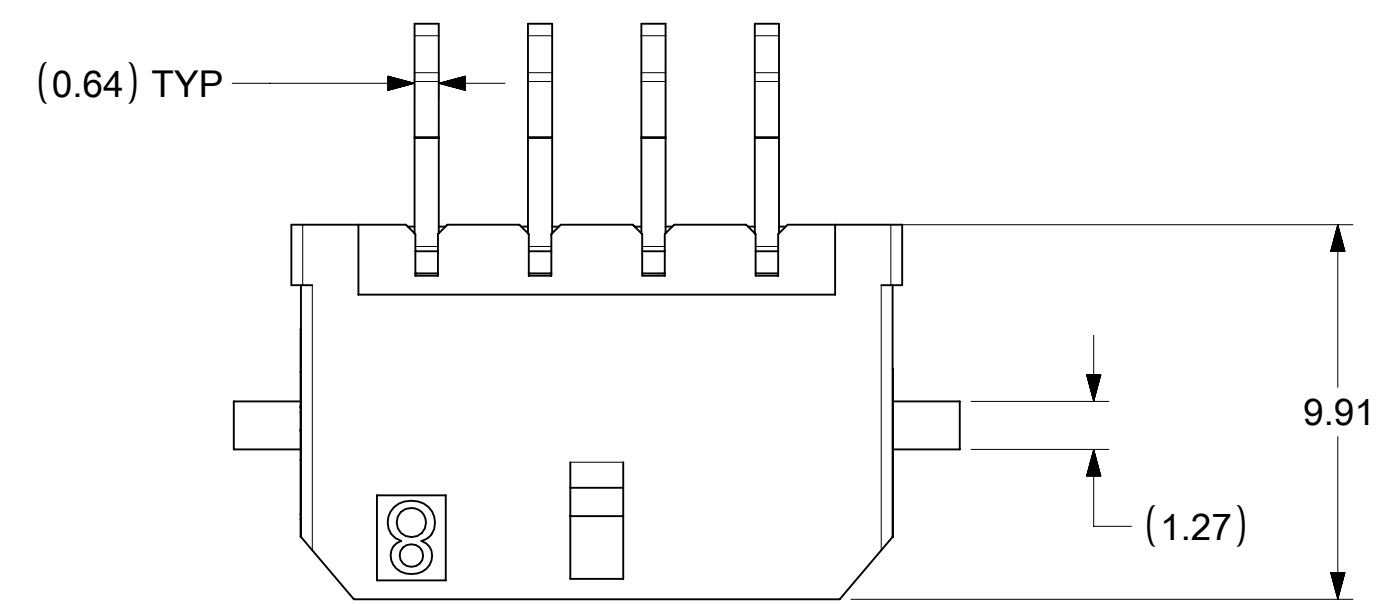


FINISH TYPE	"0":TIN	"1":15MICROINCH GOLD	"2":30MICROINCH GOLD	A	B	C	D
2	2182160200	2182160201	2182160202	7.16	NA	2.95	11.20
4	2182160400	2182160401	2182160402	10.16	3.00	2.95	14.20
6	2182160600	2182160601	2182160602	13.16	6.00	2.95	17.20
8	2182160800	2182160801	2182160802	16.16	9.00	7.70	20.20



FIRST CKT INDICATOR (APPROX. LOCATION SHOWN FOR REF.)

**LEGEND**

218216 - \* \* \* \*

SERIES NO. \_\_\_\_\_

CKT NO. \_\_\_\_\_

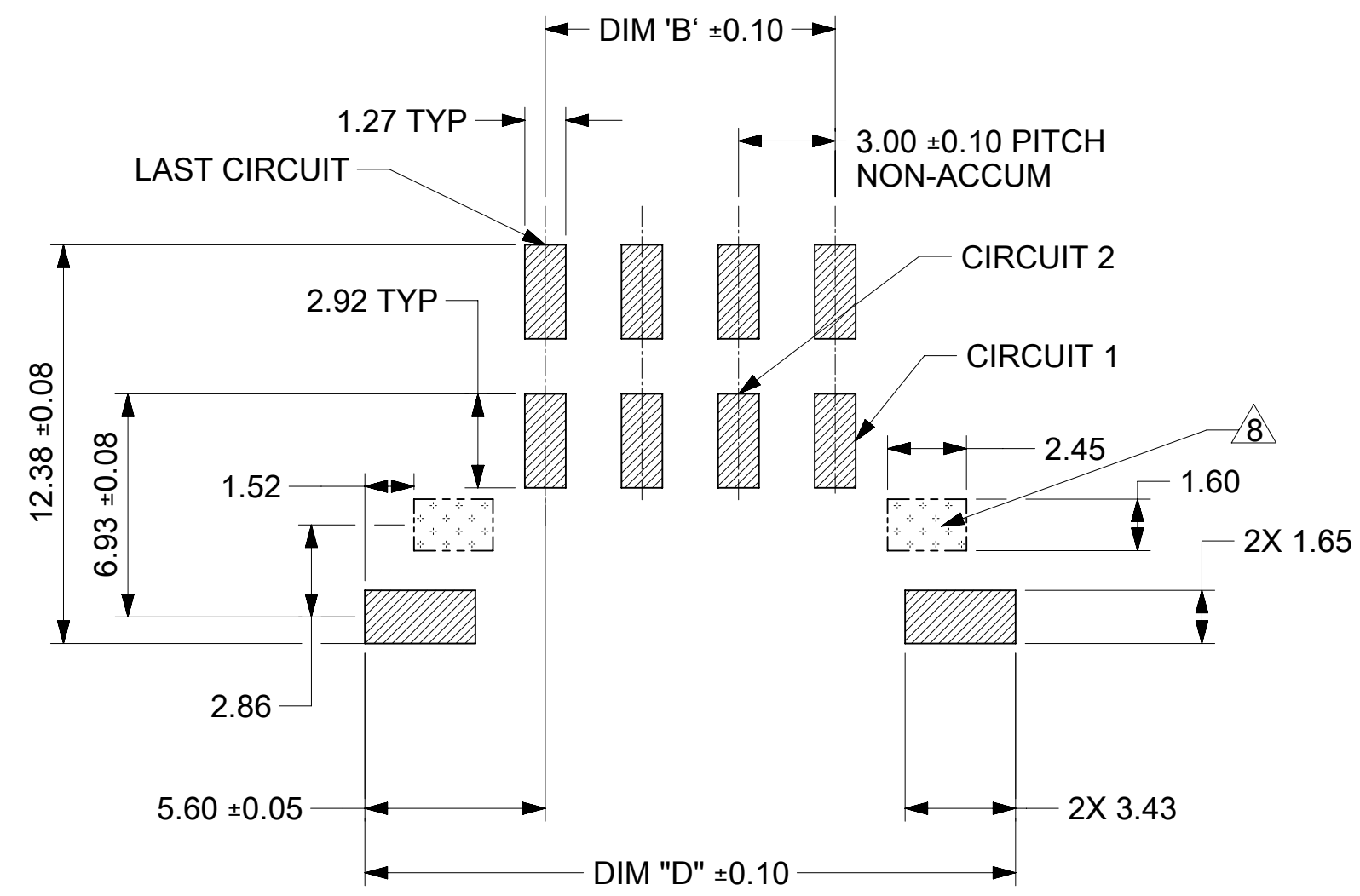
OPTION  
 0: RIGHT ANGLE WITH NAIL  
 1: RIGHT ANGLE WITH CLIP  
 2: VERTICAL WITH NAIL  
 3: VERTICAL WITH CLIP

PLATING OPTION  
 0: TIN  
 1: 15MICROINCH AU  
 2: 30MICROINCH AU

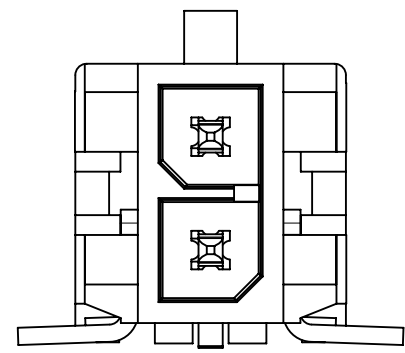
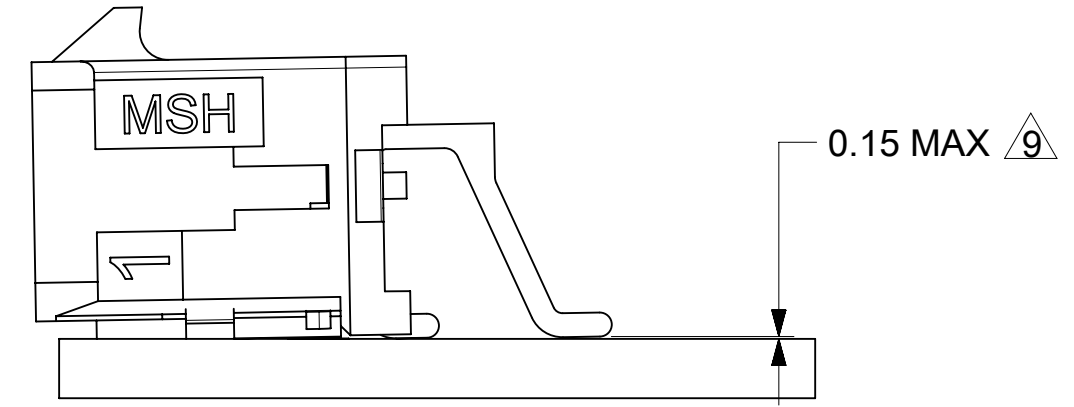
**NOTES:**

- HOSING MATERIAL: GLASS FILLED LIQUID CRYSTAL POLYMER, UL 94V-0, COLOR: BLACK  
 TERMINAL MATERIAL: HIGH COPPER ALLOY
- FINISH:  
 OPTION 1: REFLOW MATTE TIN OVER NICKEL  
 OPTION 2: SELECT 15MICROINCH GOLD AND SELECT MATTE TIN OVER NICKEL.  
 OPTION 3: SELECT 30MICROINCH GOLD AND SELECT MATTE TIN OVER NICKEL.
- PRODUCT SPECIFICATION : 2064600000-PS
- PRODUCT TEST SUMMARY: 2064600000-TS
- T&R PACK : 2182160001-PK
- MATE WITH RECEPTACLE 206461
- TO AVOID INTERFERENCE BETWEEN RECEPTACLE AND PCB HEADERS MUST BE PLACED WITHIN,4.00MAX FROM THE EDGE OF PCB, AS SHOWN IN THE LOCATION DETAILS
- METAL TAB MAY BE FLUSH WITH PCB, NO EXPOSED TRACE OR VIAS ALLOWED NEAR THESE AREAS.
- THE COPLANARITY DIMENSION IS ESTABLISHED BY PLACING THE ASSEMBLY ON A FLAT SURFACE. THE DISTANCE FROM THAT SURFACE TO THE BOTTOM OF ANY TERMINAL OR NAIL MUST NOT EXCEED 0.15
- THIS PART CONFORMS TO CLASS 'B' REQUIREMENTS OF COSMETIC SPECIFICATION PS-45499-002.

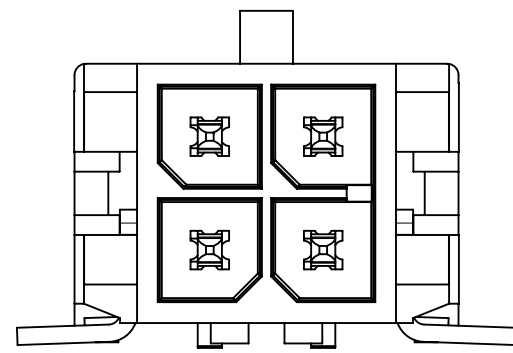
THIS DRAWING CONTAINS INFORMATION THAT IS PROPRIETARY TO MOLEX ELECTRONIC TECHNOLOGIES, LLC AND SHOULD NOT BE USED WITHOUT WRITTEN PERMISSION									
DIMENSION UNITS	SCALE	CURRENT REV DESC:			<b>molex</b>				
mm	NTS								
GENERAL TOLERANCES (UNLESS SPECIFIED)					MICRO-FIT PLUS DUAL ROW RIGHT ANGLE SMT HEADER WITH SOLDER TAB				
ANGULAR TOL	±	3.0°	EC NO: 724761						
4 PLACES	±		DRWN: ALU002	2021/04/08					
3 PLACES	±		CHK'D: XQZHANG	2022/10/17					
2 PLACES	±	0.25	APPR: XQZHANG	2022/10/17					
1 PLACE	±	0.36	INITIAL REVISION:						
0 PLACES	±		DRWN: ALU002	2021/04/08					
			APPR: XQZHANG	2022/10/17					
DRAFT WHERE APPLICABLE MUST REMAIN WITHIN DIMENSIONS		THIRD ANGLE PROJECTION	DRAWING	SERIES	MATERIAL NUMBER	CUSTOMER	DOC TYPE	DOC PART	REVISION
			A2-SIZE	218216	SEE TABLE	GENERAL MARKET	PSD	000	A
DOCUMENT STATUS		P1	RELEASE DATE	2022/10/17	06:34:10				
		13	12	11	10	9	8	7	6



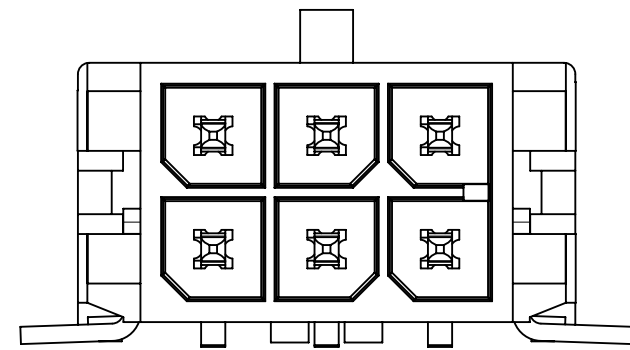
PCB LAYOUT: COMPONENT SIDE  
RECOMMEND PCB THICKNESS: 1.60 ±0.05MM



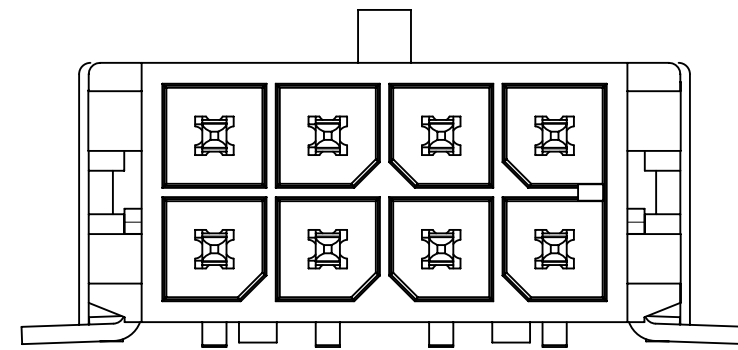
2CKT



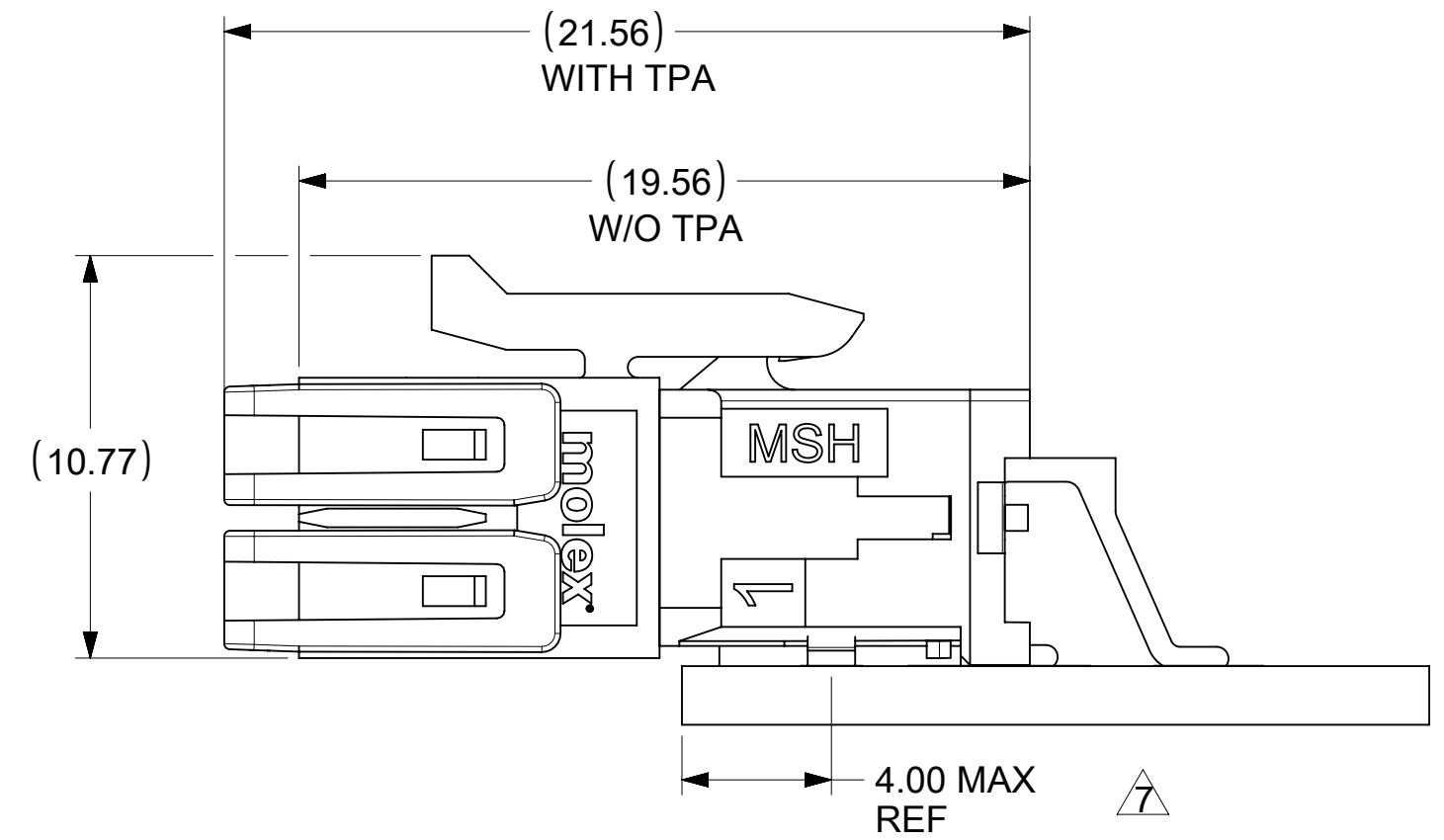
4CKT



6CKT



8CKT



THIS DRAWING CONTAINS INFORMATION THAT IS PROPRIETARY TO MOLEX ELECTRONIC TECHNOLOGIES, LLC AND SHOULD NOT BE USED WITHOUT WRITTEN PERMISSION											
DIMENSION UNITS		SCALE		CURRENT REV DESC:						<b>molex</b>	
mm		NTS									
GENERAL TOLERANCES (UNLESS SPECIFIED)				EC NO: 724761						MICRO-FIT PLUS DUAL ROW RIGHT ANGLE SMT HEADER WITH SOLDER TAB	
ANGULAR TOL ± 3.0°				4 PLACES ±		DRWN: ALUO02		2021/04/08		PRODUCT CUSTOMER DRAWING	
				3 PLACES ±		CHK'D: XQZHANG		2022/10/17		DOCUMENT NUMBER	
				2 PLACES ± 0.25		APPR: XQZHANG		2022/10/17		2182160000-SD	
				1 PLACE ± 0.36		INITIAL REVISION:				DOC TYPE   DOC PART   REVISION	
				0 PLACES ±		DRWN: ALUO02		2021/04/08		PSD   000   A	
				APPR: XQZHANG		2022/10/17				SHEET NUMBER	
DRAFT WHERE APPLICABLE MUST REMAIN WITHIN DIMENSIONS				THIRD ANGLE PROJECTION		DRAWING		SERIES		MATERIAL NUMBER   CUSTOMER   SHEET NUMBER	
				A2-SIZE		218216		SEE TABLE		GENERAL MARKET   2 OF 2	