

4

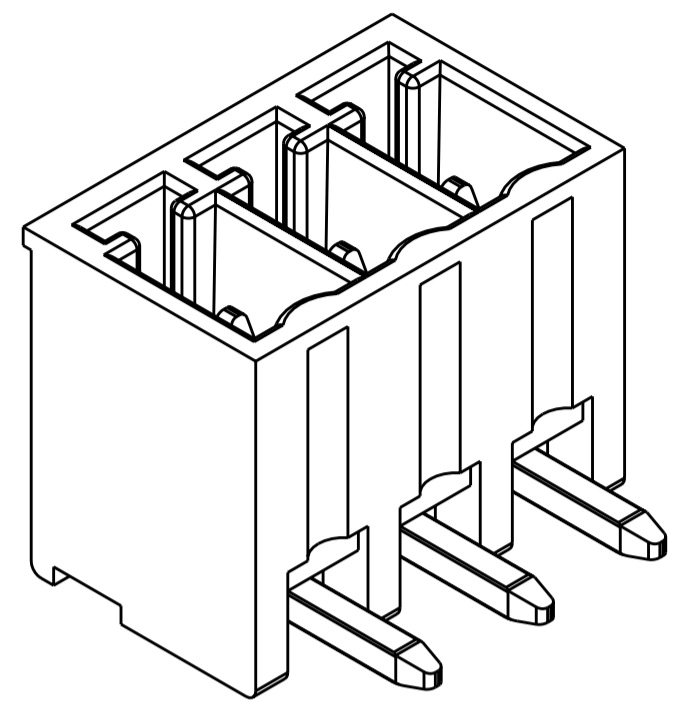
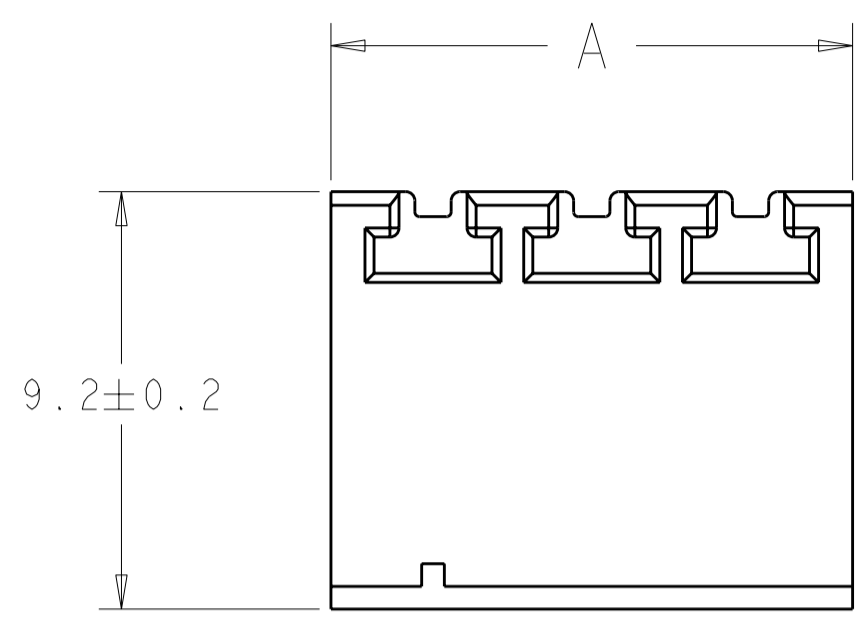
3

2

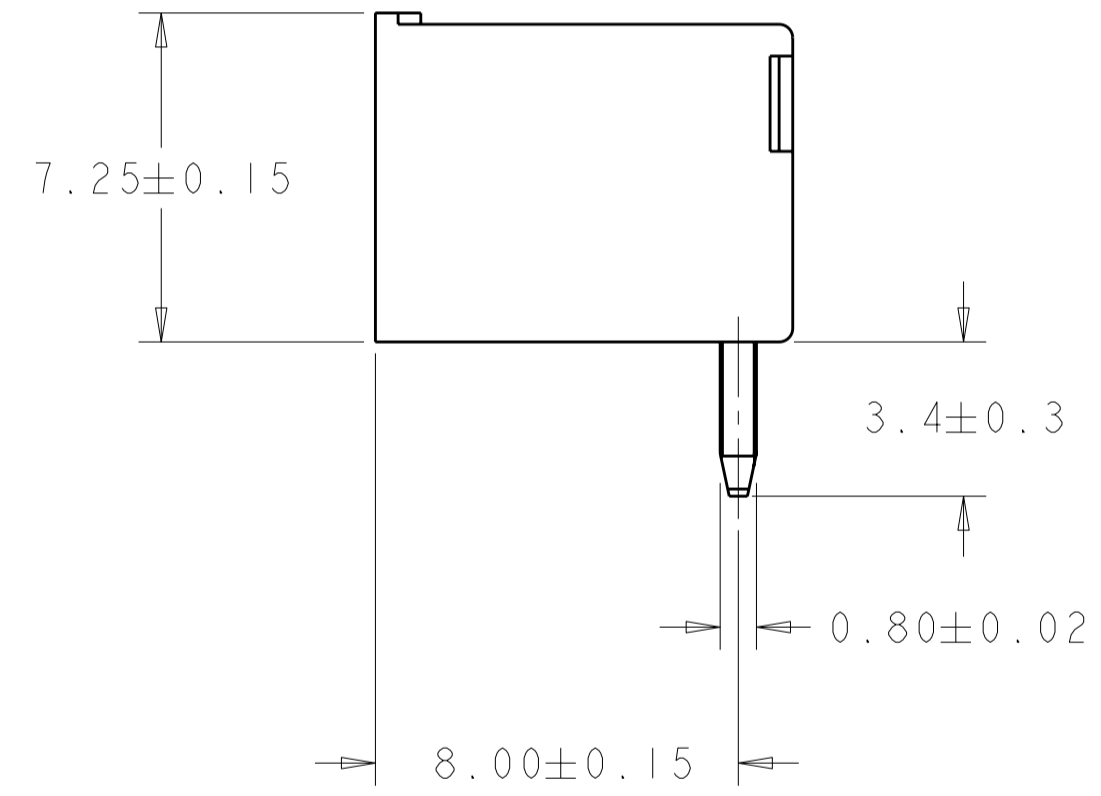
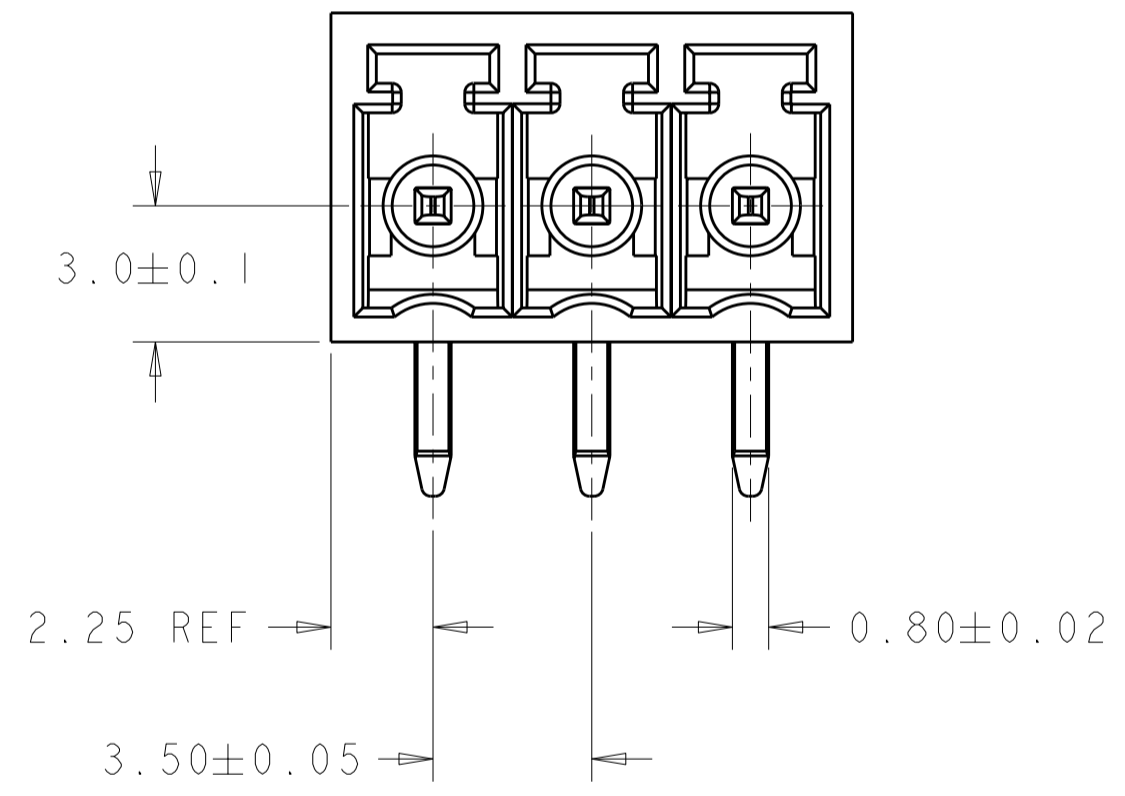
1

THIS DRAWING IS UNPUBLISHED. RELEASED FOR PUBLICATION 20
 © COPYRIGHT 20 BY TYCO ELECTRONICS CORPORATION. ALL RIGHTS RESERVED.

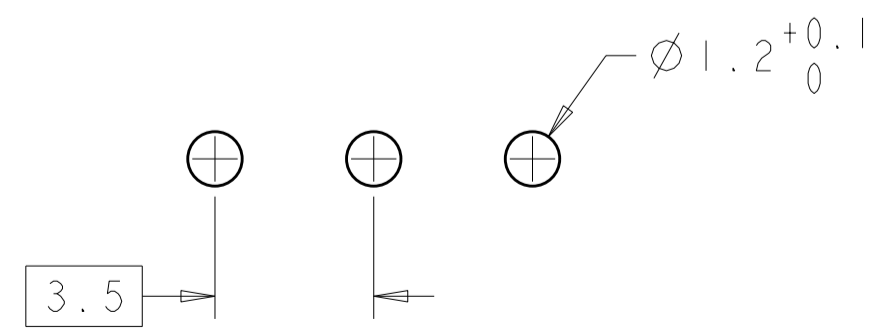
LOC	DIST	REVISIONS			
P	LTR	DESCRIPTION	DATE	DWN	APVD
FT	0	0 PRELIMINARY	08MAY2006	SW	CR



- 1. MATERIAL AND FINISH:
HOUSING: PA 6.6, UL 94V-0 RATED, COLOR: GREEN.
TERMINAL: PHOSPHOR BRONZE, TIN PLATED.
- 2. SUITABLE FOR 1.6-2.4mm PC BOARD THICKNESS.
- 3. NOT CUMMULATIVE TOLERANCE.



THIS PRINT IS
PRELIMINARY
 PRIOR TO CUSTOMER ORDER
 CONTACT PRODUCT ENGINEERING
 BEFORE USING THIS PRINT



RECOMMENDED PC BOARD LAYOUT

18.5	5	1776359-5
11.5	3	1776359-3
8.0	2	1776359-2
A	NO OF POSN	PART NUMBER

DIMENSIONS:		TOLERANCES UNLESS OTHERWISE SPECIFIED:		DWN	08MAY2006	BUCHANAN		Tyco Electronics	
mm		0 PLC	±	S. WELDON	08MAY2006	Harrisburg, PA 17105-3608			
		1 PLC	±0.3	CHK	08MAY2006				
		2 PLC	±0.25	APVD	08MAY2006				
		3 PLC	±0.000	PRODUCT SPEC					
		4 PLC	±0.000	APPLICATION SPEC					
		ANGLES	±2°	WEIGHT	-				
		FINISH		CUSTOMER DRAWING					
						SIZE	CAGE CODE	DRAWING NO	RESTRICTED TO
						A2	00779	1776359	-
						SCALE	SHEET	OF	REV
						6:1	1	1	0