



## Product Discontinuation

### PDN-IFC-1157-2018

Business Unit	Product Line Code	Type of Change	Action	Date of Issue
IFC - Industrial Field Connectivity	BF1	Product Discontinuation	Notify Distributors and Field	8/23/2018

*Phoenix Contact's factory has announced the following product(s) is going to be discontinued. Existing specifications will be met or exceeded. Technical support of the discontinued product will continue, as required. Please review and acknowledge this document and take the appropriate action with respect to your existing inventory and ordering replacement parts.*

#### Description for Product Discontinuation

Due to manufacturing constraints on our original T-distributor design, the product line is being migrated to the newer models. One of our parts cannot be produced anymore. Some parts of the list have slightly different circuit diagrams or exterior designs (see pictures).

#### Stock Status

Can existing stock still be used?

Is mixture of stock acceptable?

#### Transaction Dates

Last Buy from Phoenix Contact: 6/30/2018

Last Scheduled Ship from Phoenix Contact: 9/30/2018



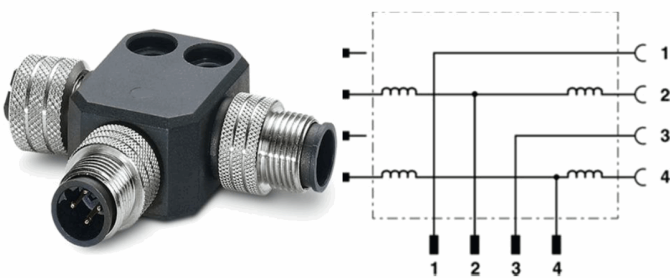
**PHOENIX CONTACT**  
INSPIRING INNOVATIONS

Phoenix Contact Inc.  
P.O. BOX 4100  
Harrisburg, PA 17111-0100  
Phone: 717-944-1300  
Fax: 717-944-1625

## Product Discontinuation

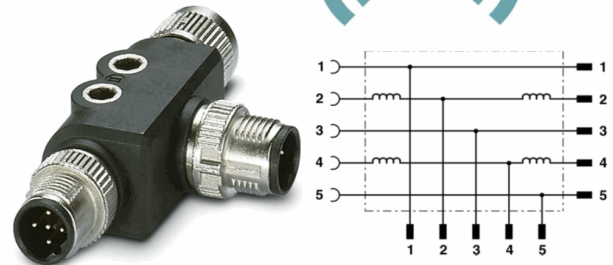
Previous Product

1458884

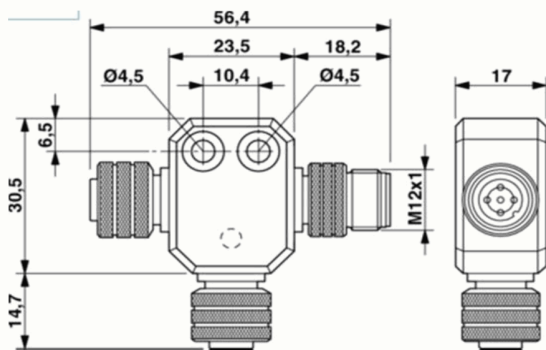


New Product

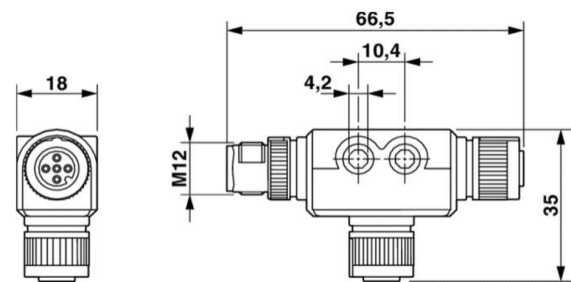
1424711



1507793



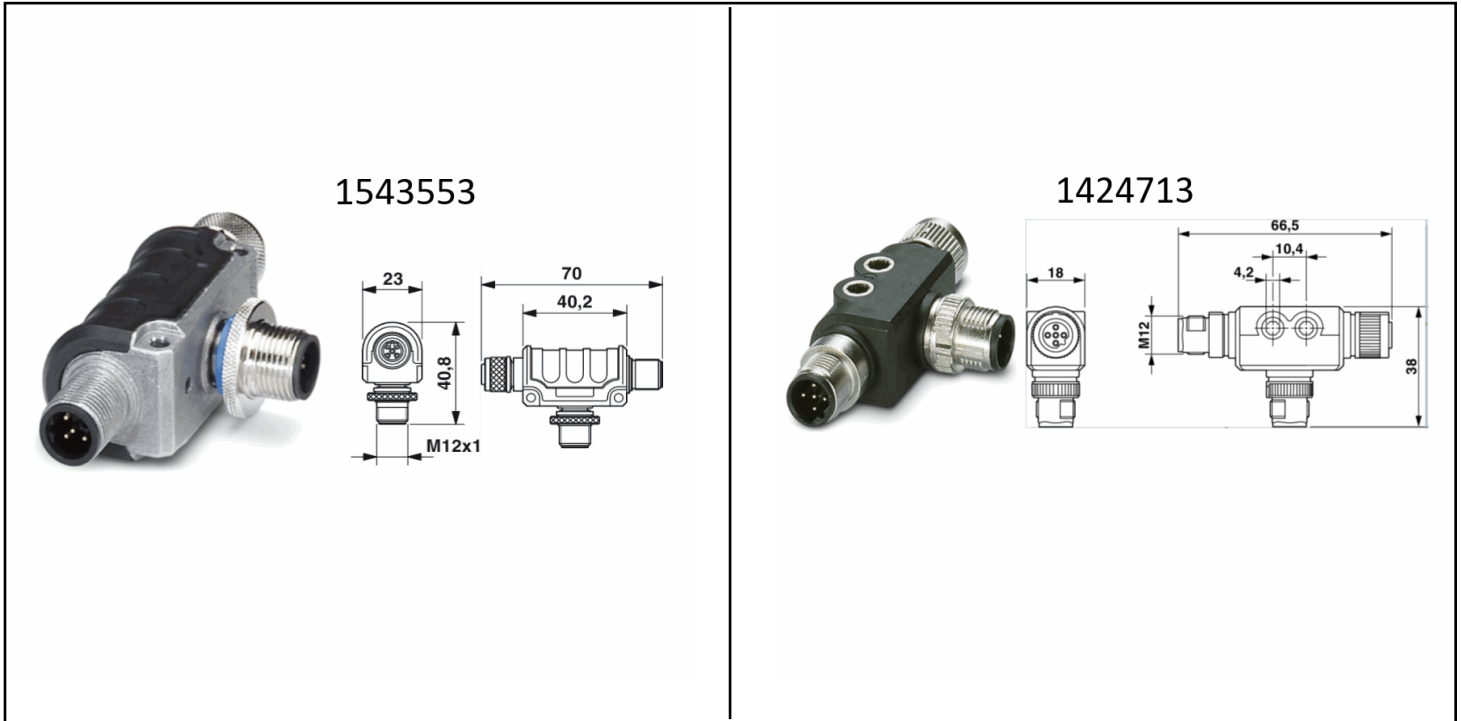
1424712





Phoenix Contact Inc.  
P.O. BOX 4100  
Harrisburg, PA 17111-0100  
Phone: 717-944-1300  
Fax: 717-944-1625

## Product Discontinuation



*Should you have any issues with the timeline or content of this product discontinuation, please contact Phoenix Contact using the information below. Customers should acknowledge receipt of the PDN within 30 days of delivery of the PDN; provided, however, that the failure to acknowledge receipt does not affect the product discontinuation or the effective date thereof.*

**Contact Info:**

Jeremy Andrews  
jandrews@phoenixcon.com

Thank you,

Nathan Owens

Product Marketing Manager - IFC



Phoenix Contact Inc.  
P.O. BOX 4100  
Harrisburg, PA 17111-0100  
Phone: 717-944-1300  
Fax: 717-944-1625

## Product Discontinuation

Discontinued Part #	Type Description	Replacement Part #	Type Description
1507793	SAC-M12T/2XM12 CAN	1424712	SAC-5PT-F/F-M VP
1458884	SAC-M12T/2XM12 PBDP	1424711	SAC-5PT-FB/2XMB PBDP SH
1543553	SAC-M12T/2XM12 PB DP F	1424713	SAC-5PT-FB/MB-MBF PBDP SH
1440672	SAC-M12T/2XM12 PB	1424711	SAC-5PT-FB/2XMB PBDP SH