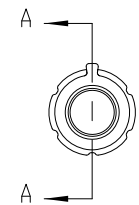
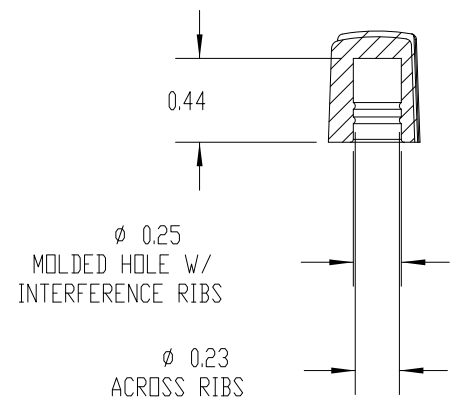
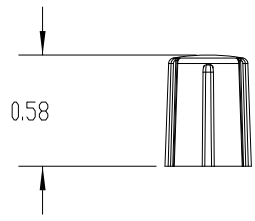
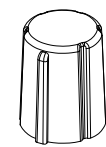
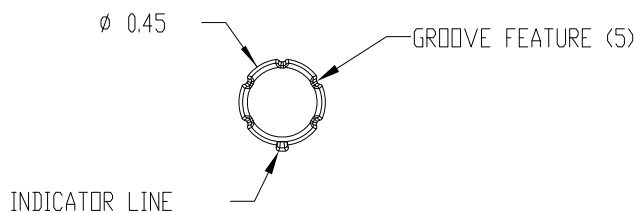


PART NAME: KNOB SCALE: 1:1 DATE: 8/16/17 DR. BY: JAM

THIS DRAWING IS THE PROPERTY OF DAVIES MOLDING COMPANY, IS SUBMITTED SOLELY AS A DESIGN OR ENGINEERING PROJECT.
 WE ACCEPT NO RESPONSIBILITY WHATSOEVER FOR THE PRACTICAL APPLICATION OF THE PIECES MADE TO THIS DESIGN.



P/N	1237-H
MOLD #	1221
CAVITY	1221
CORE	1221
OVERMOLD CAVITY	1237
PIN	1221-H



SECTION A-A

SUBSTRATE MATERIAL: POLYPROPYLENE (CLD)
 COLOR: WHITE (PC23083)
 OVERMOLD MATERIAL: TPE (TPE3)
 COLOR: BLACK

TOLERANCES: UNLESS OTHERWISE SPECIFIED	DO NOT SCALE DRAWING				
DECIMALS: X.XXX ± .005 X.XX ± .015	MM: X.XX ± 0.15MM X.X ± 0.4MM				
FRACTIONS ± 1/64	ANG. ± 1°	CHANGES			