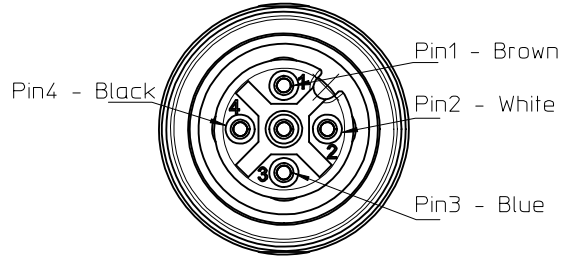
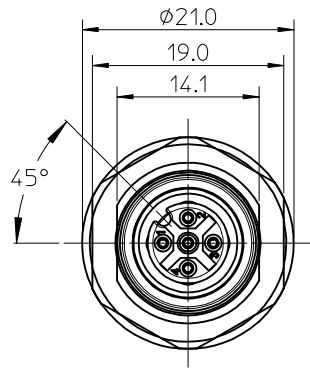
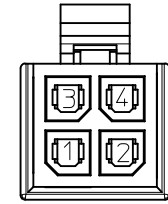


FRONT SIDE VIEW
FEMALE 4 POLE

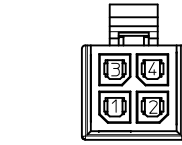
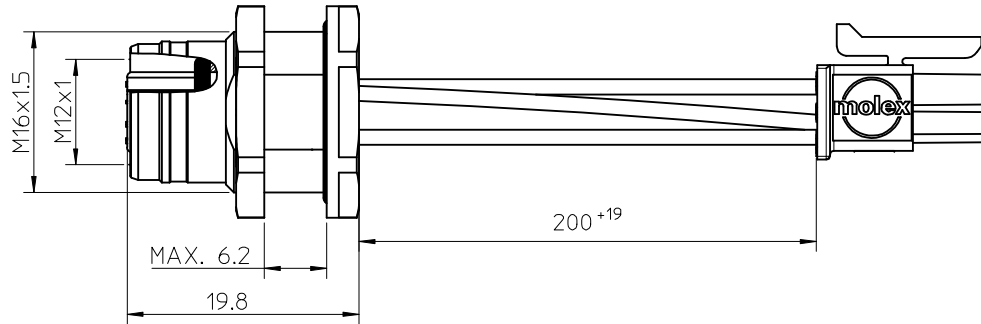


FRONT SIDE VIEW
CONNECTOR 430250400

Pin1 -Brown
Pin2- White
Pin3 - Blue
Pin4 - Black



FRONT SIDE VIEW



FRONT SIDE VIEW

Notes:

- 1) Material: See Table
- 2) Finish: See Table
- 3) Environmental:
Protection Receptacle: IP67
NEMA Rating Receptacle: NEMA 6

ITEM	QTY.	DESCRIPTION	MATERIAL	FINISH
9	1	Crimp Terminals	Phosphor Bronze	TIN
8	1	Micro-Fit Connector	NYLON	BLACK
7	1	GASKET	VITON	RED
6	N/A	POTTING MATERIAL	EPOXY	NONE
5	1	LOCKNUT	BRASS	NI PLATED
4	4	INSERT	PUR	BLACK
3	1	REC.SHELL MALE	BRASS	NI PLATED
2	1	PIN CONTACT	BRASS	CuZn Ni/Au
1	1	O-Ring	NBR 70	BLACK

ENG No
BG20738

ORIGINAL RELEASE EC NO: IPG2013-1804 DRWN:MDYSZEWSKA 2013/04/10 CHKD:JMARSZALEK 2013/05/27 APPR:MIWASIECZKO 2013/05/27	DESCRIPTION A	QUALITY SYMBOLS ▽=0 ◻=0	GENERAL TOLERANCES (UNLESS SPECIFIED)		DIMENSION STYLE MM ONLY		SCALE ---	DESIGN UNITS METRIC	THIRD ANGLE PROJECTION
				mm	INCH	DRAWN BY MDYSZEWSKA	DATE 2013/04/10	TITLE REC U12 4P AC FE M16 BM WIR SHD BRA AU MICROFIT	
			4 PLACES	± ---	± ---	CHECKED BY JMARSZALEK	DATE 2013/05/27		
			3 PLACES	± ---	± ---	APPROVED BY MIWASIECZKO	DATE 2013/05/27		
2 PLACES	± ---	± ---	MATERIAL NO. 1200848071		DOCUMENT NO. SD-120084-038	SHEET NO. 1 OF 1			
1 PLACE	± ---	± ---	THIS DRAWING CONTAINS INFORMATION THAT IS PROPRIETARY TO MOLEX INCORPORATED AND SHOULD NOT BE USED WITHOUT WRITTEN PERMISSION						
0 PLACE	± ---	± ---							
DRAFT WHERE APPLICABLE MUST REMAIN WITHIN DIMENSIONS									