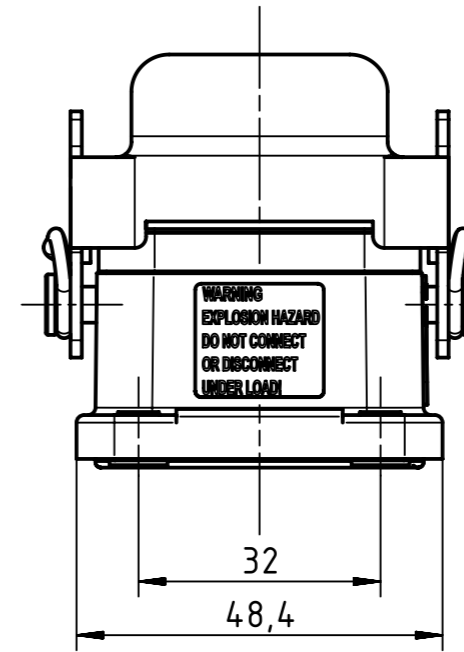
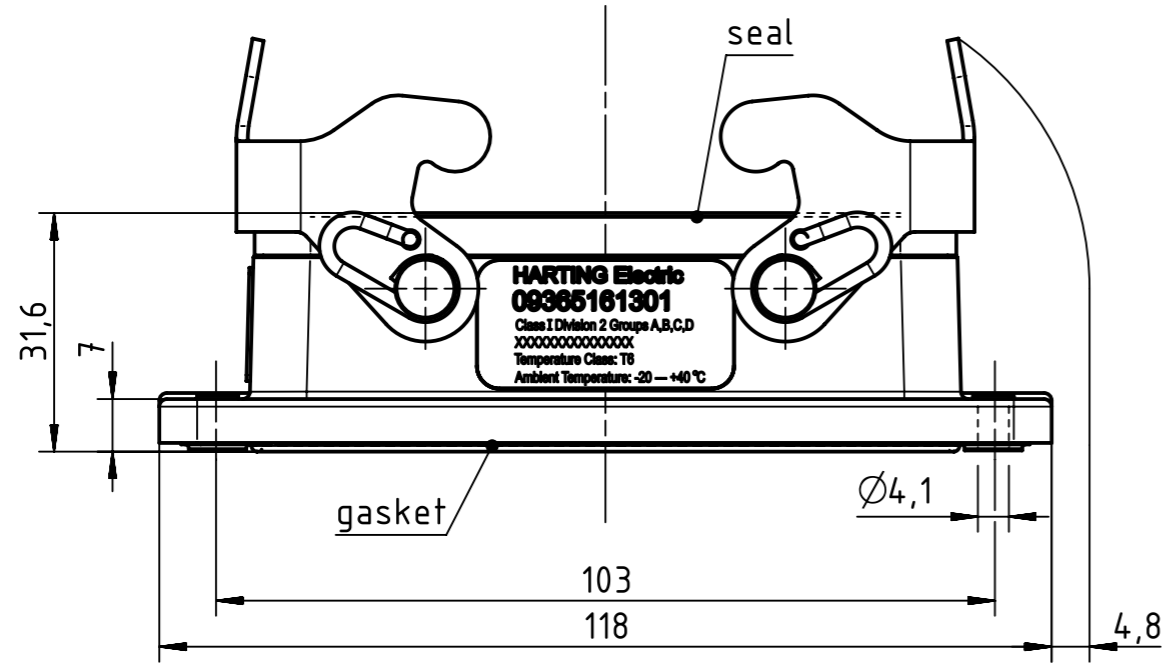


FOR USE WITH AWG 12, 14 AND 16

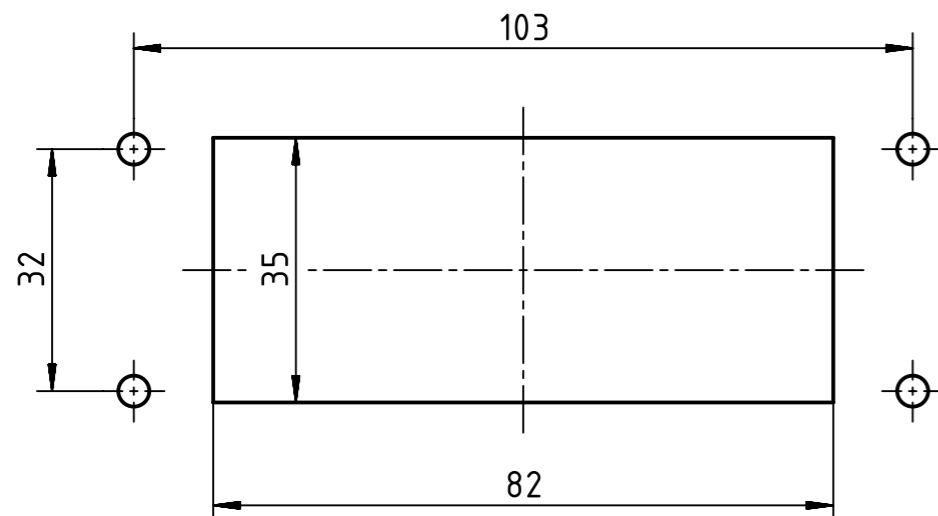
FOR USE WITH CABLE TYPE:
PLTC, PLTC-ER, ITC, ITC-ER, MC, MV AND TC

FOR USE IN CLASS 1, DIVISION 2, GROUP A,B,C, AND D
HAZARDOUS LOCATIONS OR UNCLASSIFIED LOCATIONS

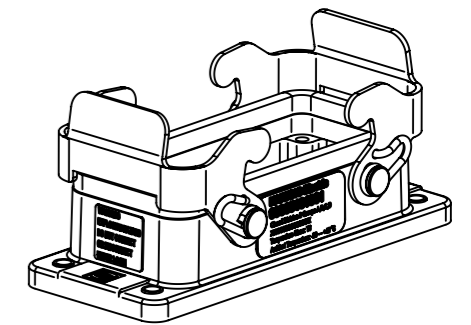
THE INSTALLATION MUST BE IN
ACCORDANCE WITH THE ASSOCIATED LOCATION
RESTRICTIONS OF THE NATIONAL ELECTRIC CODE
OR CANADIAN ELECTRICAL CODE AS APPLICABLE,
INCLUDING ISSUES SUCH AS ROUTING, SUPPORT
AND LENGTH OF THE INVOLVED CODE OR CABLE.



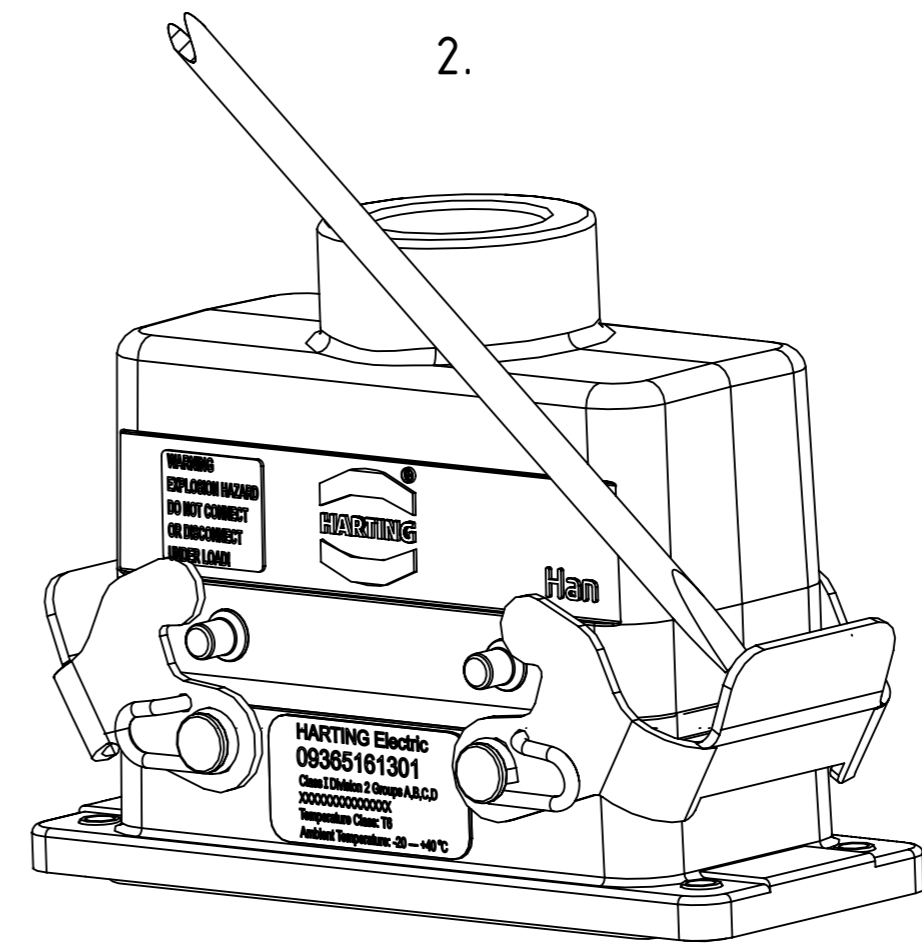
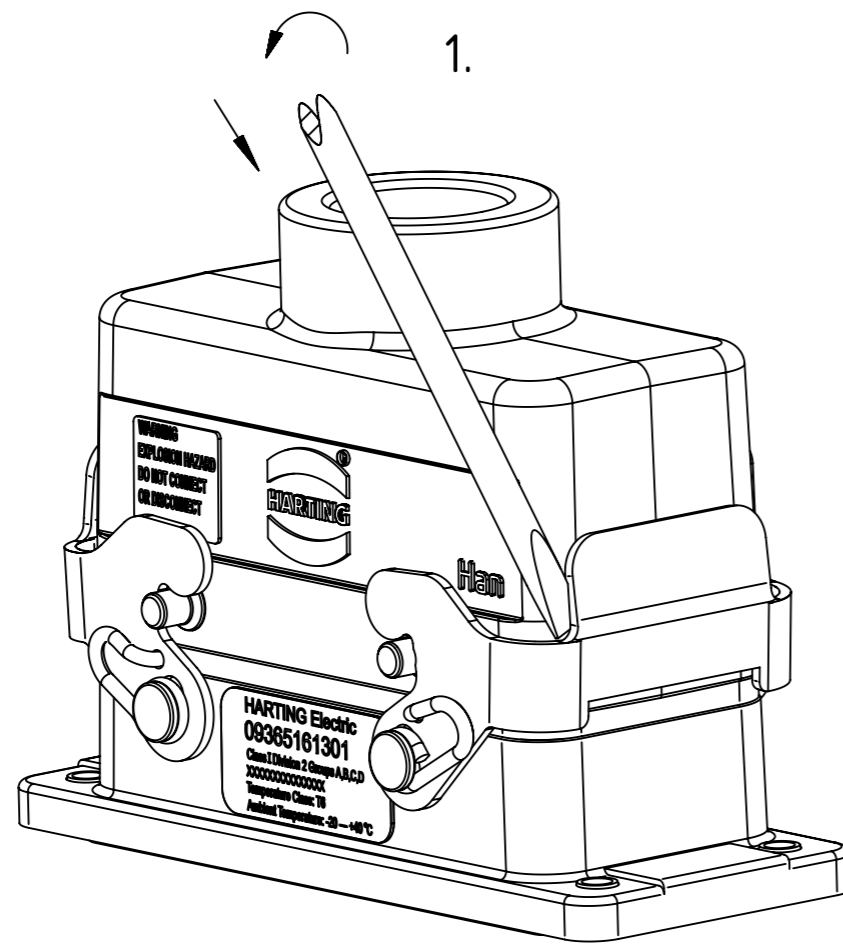
panel cut out (1:1)



WARNING
EXPLOSION HAZARD
DO NOT CONNECT
OR DISCONNECT
UNDER LOAD!



Coating	A=	mm ²	V=	mm ³	m=	g	Mat.
	All Dimensions in mm Original Size DIN A3		Scale 1:1	Free size tol.		Ref. Sub.	
	All rights reserved Department EL PD		Created by LONGL	Inspected by WENE	Standardisation RUETERA	Date 2018-06-27	State Final Release
HARTING Electric GmbH & Co. KG D-32339 Espelkamp		Title Han 16Ex UL-HBM-DL			Doc-Key / ECM-Nr. 100670050/UGD/002/D 500000136859		Rev. D
		Type TB	Number 09 36 516 1301		Page 1/2		



To separate connector, insert small flat head tool or screwdriver between metal lever and housing as shown in the diagram, press the screwdriver in a downward direction until the metal lever releases.

To secure the hood and housing assembly together, press the metal lever upward direction until metal lever latches into housing pins.