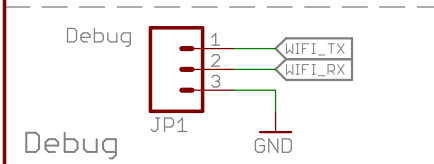
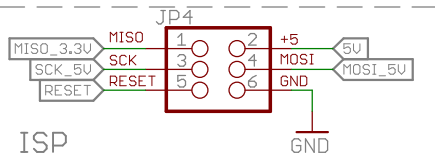


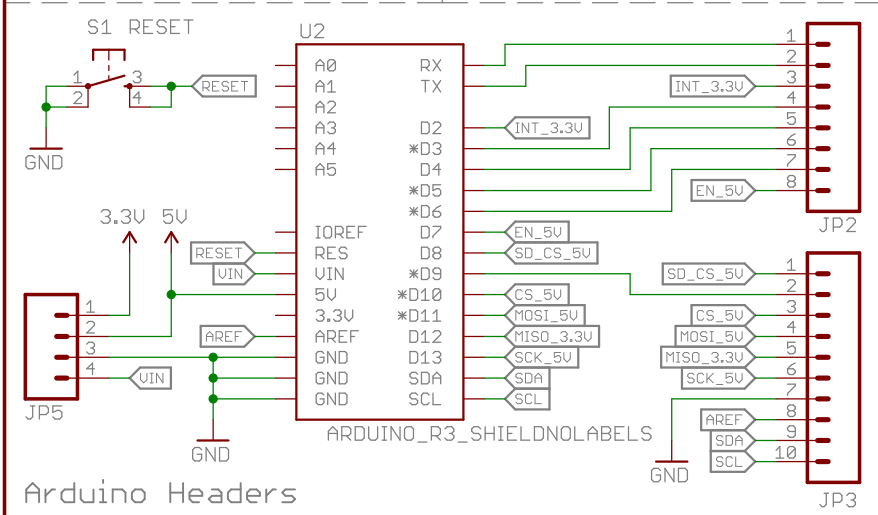
Power



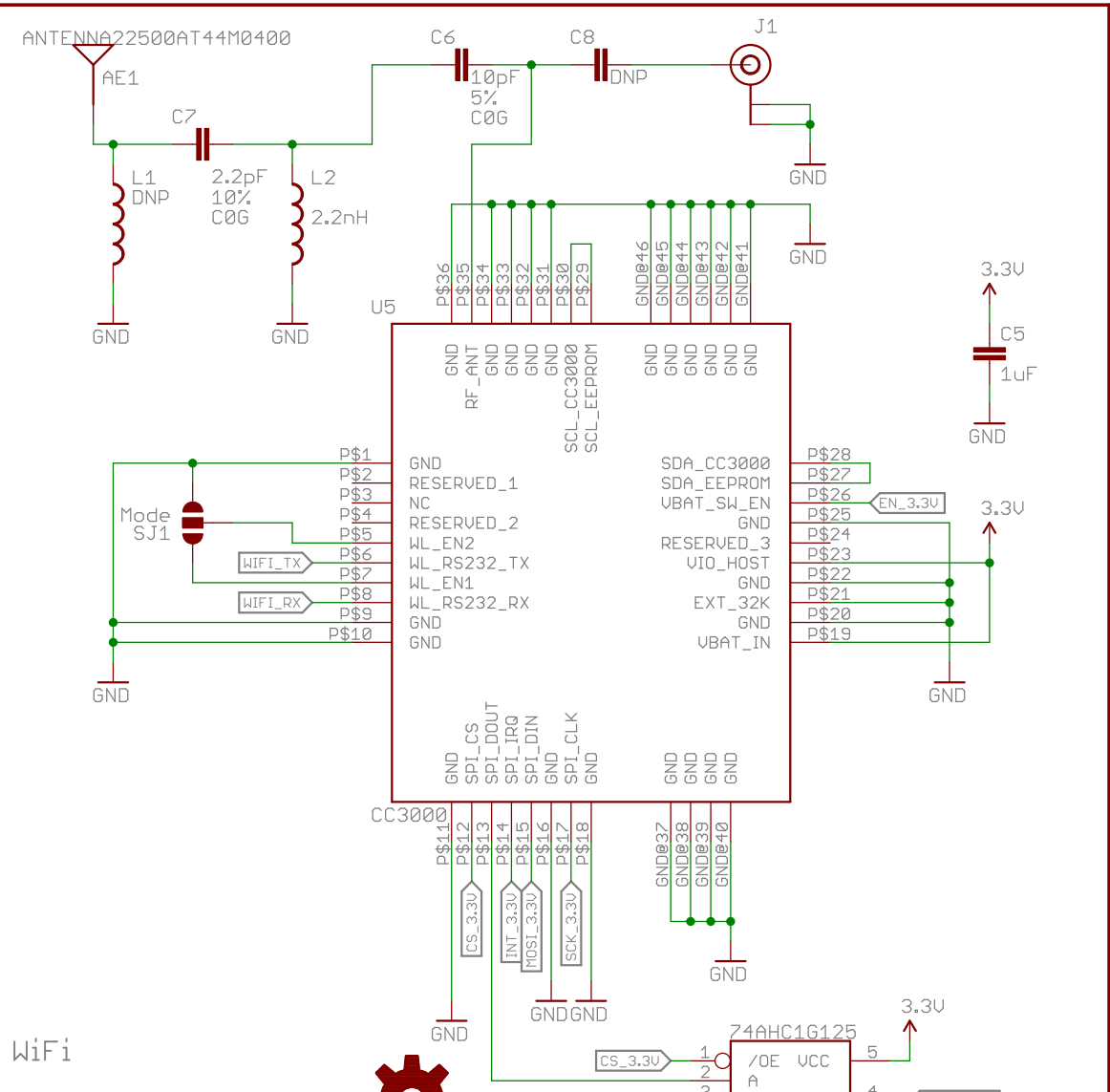
Debug



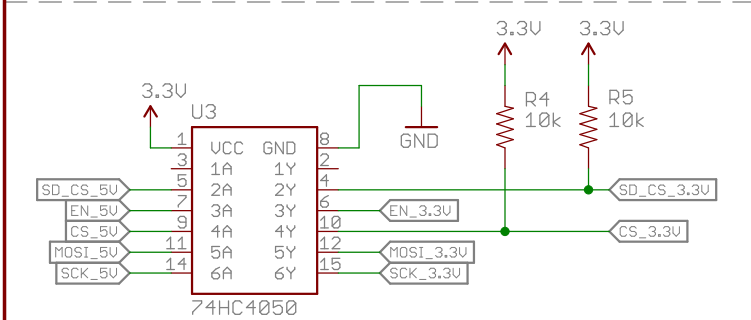
ISP



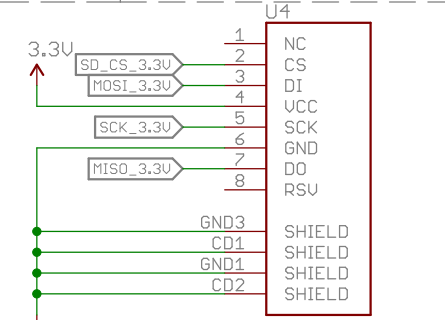
Arduino Headers



WiFi



Level Shifter



Micro SD Socket

open hardware

Released under the Creative Commons Attribution Share-Alike 3.0 License
<http://creativecommons.org/licenses/by-sa/3.0>

TITLE: CC3000_WiFi_Shield

Design by: Shawn Hymel

Date: 1/23/2014 11:11:06 AM

REV: v10

Sheet: 1/1