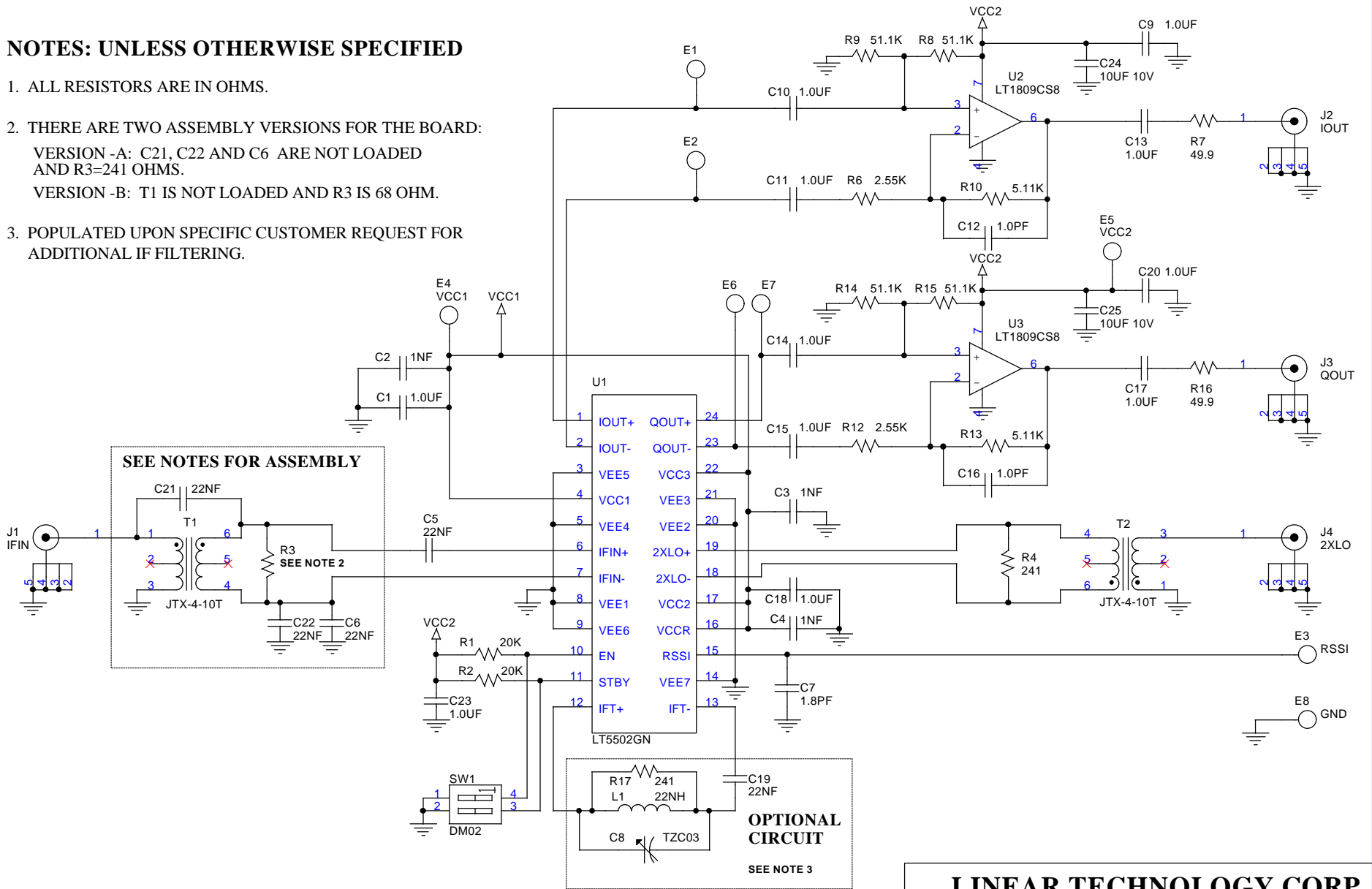


NOTES: UNLESS OTHERWISE SPECIFIED

1. ALL RESISTORS ARE IN OHMS.
2. THERE ARE TWO ASSEMBLY VERSIONS FOR THE BOARD:
 VERSION -A: C21, C22 AND C6 ARE NOT LOADED AND R3=241 OHMS.
 VERSION -B: T1 IS NOT LOADED AND R3 IS 68 OHM.
3. POPULATED UPON SPECIFIC CUSTOMER REQUEST FOR ADDITIONAL IF FILTERING.



SEE NOTES FOR ASSEMBLY

Circuit diagram showing transformer T1 (JTX-4-10T) with primary winding connected to J1 (IFIN) and secondary windings connected to pins 1, 2, 3, 4, 5, 6 of U1. Resistor R3 is connected between pins 1 and 2. Capacitors C21, C22, and C6 are connected to pins 1, 2, and 3 respectively.

OPTIONAL CIRCUIT

SEE NOTE 3

Circuit diagram showing an optional filter circuit consisting of resistor R17 (241 ohms), inductor L1 (22nH), and capacitor C8 (TZC03) connected to pins 12 and 13 of U1.

LINEAR TECHNOLOGY CORP		
LTC CONFIDENTIAL-FOR CUSTOMER USE ONLY		
1630 McCARTHY BLVD. MILPITAS, CA 95035 PH. (408) 954-8400 FAX (408) 434-0507		
Title 400MHZ I/Q DEMODULATOR		
Size A	Document Number DC333A-2*LT5502GN	Rev A
Date:	Wednesday, March 14, 2001	Sheet 1 of 1