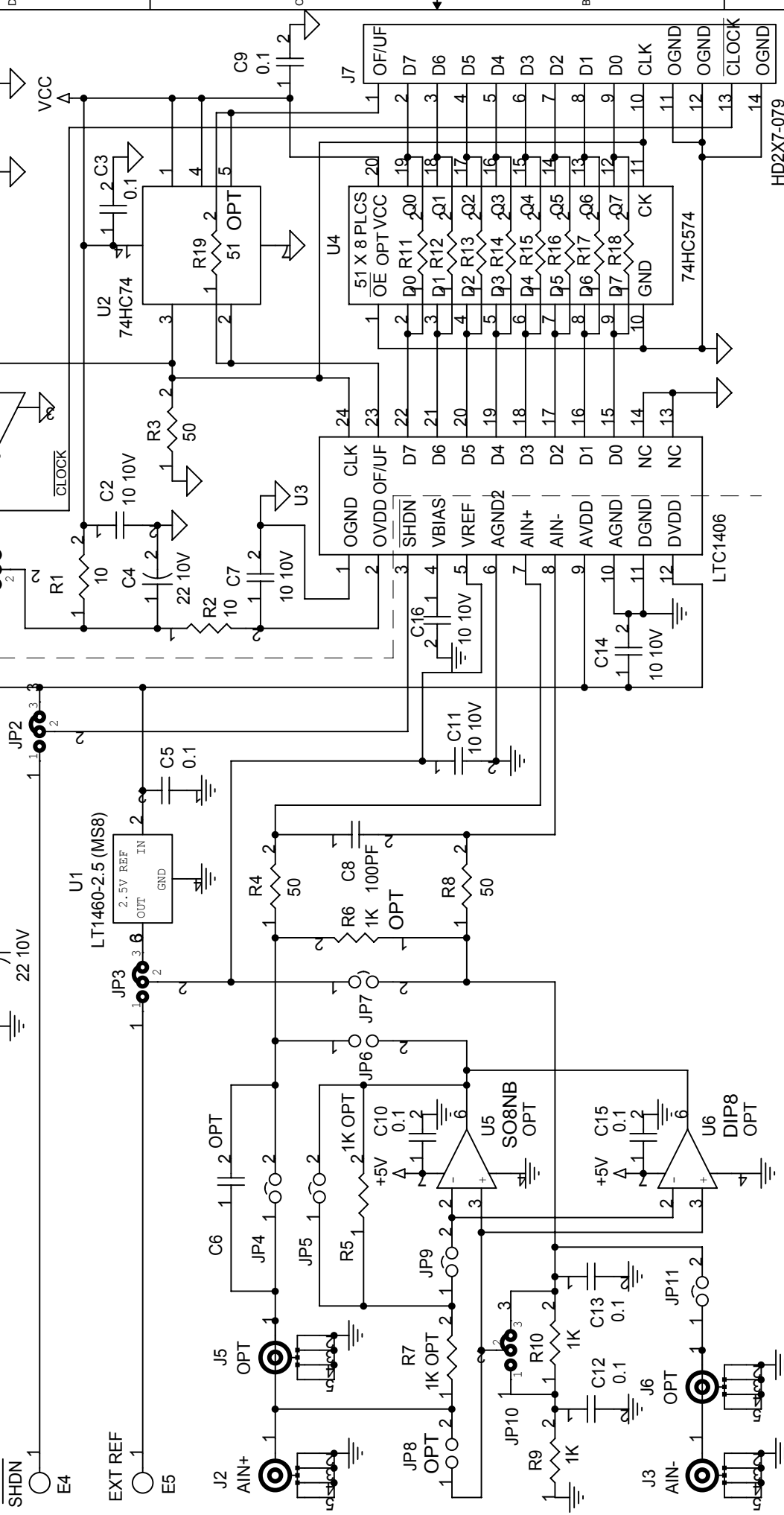


NOTES: UNLESS OTHERWISE SPECIFIED.

1. ALL CAPS ARE IN MICROFARADS.
2. ALL RES ARE IN OHMS, 1/8W, 5%, 0805.
3. INSTALL SHUNTS ON PIN 2, 3 OF JP1-JP3 AND JP10; ON PIN 1, 2 OF JP12.



CONFIDENTIAL INFORMATION

THIS DOCUMENT CONTAINS UNPUBLISHED INFORMATION WHICH IS PROPRIETARY TO AND IS THE PROPERTY OF LINEAR TECH. CORP. AND MAY NOT BE USED, DISCLOSED OR REPRODUCED WITHOUT THE EXPRESS WRITTEN PERMISSION OF LINEAR TECH. CORP.

TRADE SECRET INFO.

APPROVALS

DATE

DRAFTER KIM TRAN

CHECKER

ENGINEER

ENGR. MGR

PROJ. DIR

NEXT ASSEMBLY

ASSY-

LINEAR TECHNOLOGY CORP

1630 MCCARTHY BLVD. MILPITAS, CA 95035
PH. (408) 954-9400 FAX (408) 434-0507

8 BIT, 20MSPS ADC

Title

Size Document Number

A

DC213A - LTC1406

Rev

A

Date: Tuesday, February 11, 2003

Sheet

1

of

1