



Part Number: D3C1525

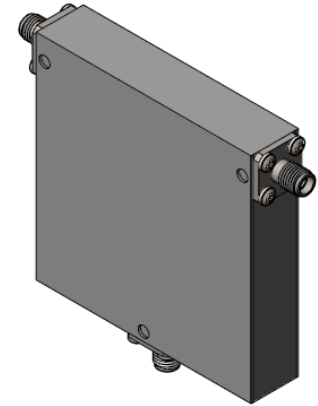
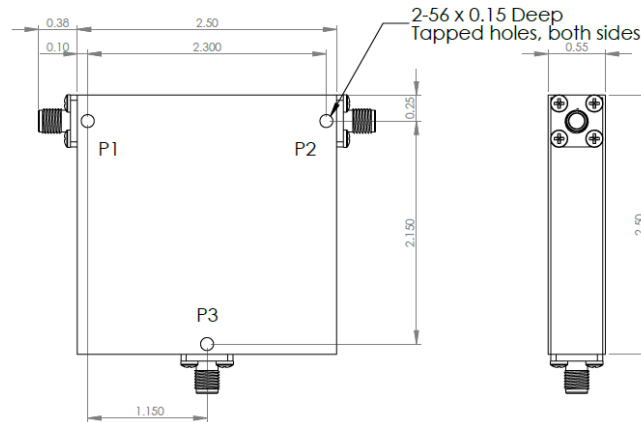
Electrical Specifications

Frequency Range (GHz): 1.5 – 2.5
 Isolation (dB): 16 MIN
 Insertion Loss (dB): 0.6 MAX
 VSWR: 1.4:1 MIN
 Forward Power (W): 50 AVG
 50 PK

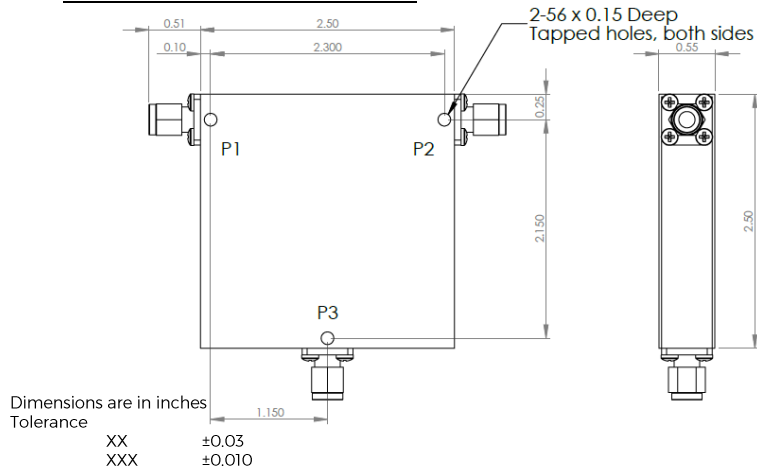
Mechanical/Environmental Specifications

Connector Type: SMA
 Connector Body: Passivated stainless steel
 Connector Pin: Gold plated copper
 Load Body: Brass
 Magnetic Shunt: Nickel plated CRS
 Operational Temp: +10°C to +55°C
 Weight (oz) 6.0 MAX

D3C1525 Dimensions



D3C1525-3 Dimensions



Type of Device	PN Suffix	Connector Configuration Input / Output	PN Example
Single Junction Circulator 3-Port Device Port 1 / Port 2 / Port 3	No Dash	Female / Female / Female	D3C1525
	-1	Male / Female / Female	D3C1525-1
	-2	Female / Male / Female	D3C1525-2
	-3	Male / Male / Male	D3C1525-3
	-4	Female / Female / Male	D3C1525-4
	-5	Male / Female / Male	D3C1525-5
	-6	Male / Male / Female	D3C1525-6
	-7	Female / Male / Male	D3C1525-7



MEASURED DATA

Part Number: D3C1525, P1→P2, P3 Terminated with 50Ω, +25°C

