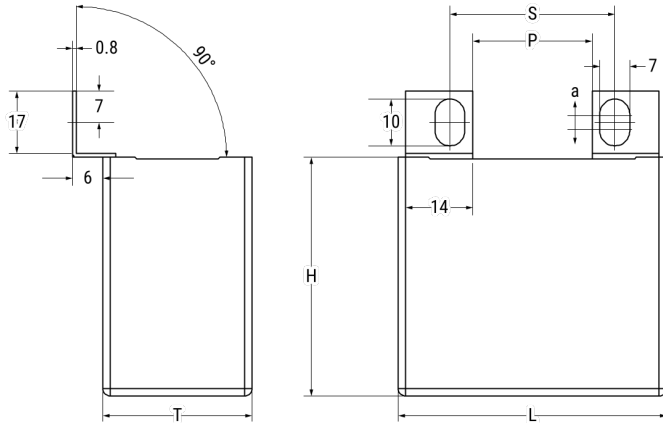


C4BSNBX4150ZGJJ

C4BS, Film, Metallized Polypropylene, Power, 1.5 uF, 5%, 600 VAC, 1000 VDC, 70°C, Lead Spacing = 22mm



Click [here](#) for the 3D model.

Dimensions

L	42.5mm +1.5/-0.7mm
H	37mm +0.2/-0.7mm
T	28mm +0.4/-0.7mm
S	22mm +/-0.2mm
SI	4mm +/-0.2mm
P	10.5mm NOM

Packaging Specifications

Packaging	Bulk, Bag
Packaging Quantity	36

General Information

Series	C4BS
Dielectric	Metallized Polypropylene
Style	Radial
Features	IGBT Circuit
RoHS	Yes
Lead	Flat Tabs
AEC-Q200	No
Component Weight	74 g
Miscellaneous	KEMET Style G Tabs.

Specifications

Capacitance	1.5 uF
Capacitance Tolerance	5%
Voltage AC	600 VAC
Voltage DC	1000 VDC
Temperature Range	-40/+85°C
Rated Temperature	70°C
Max dV/dt	827 V/us
Resistance	2.5 mOhms (100kHz)
Ripple Current	30 Amps (100kHz 70C), 1241 Amps (Peak)
Inductance	36 nH