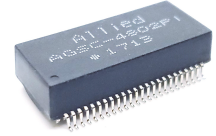




- Ethernet based LAN, WAN and other networking applications
- PoE+ Applications with 720mA Current Capability
- 100/1000 Gigabit Base-T Lan Filter
- IEEE 802.3at Compliant
- Industrial Temp: -40°C to +85°C



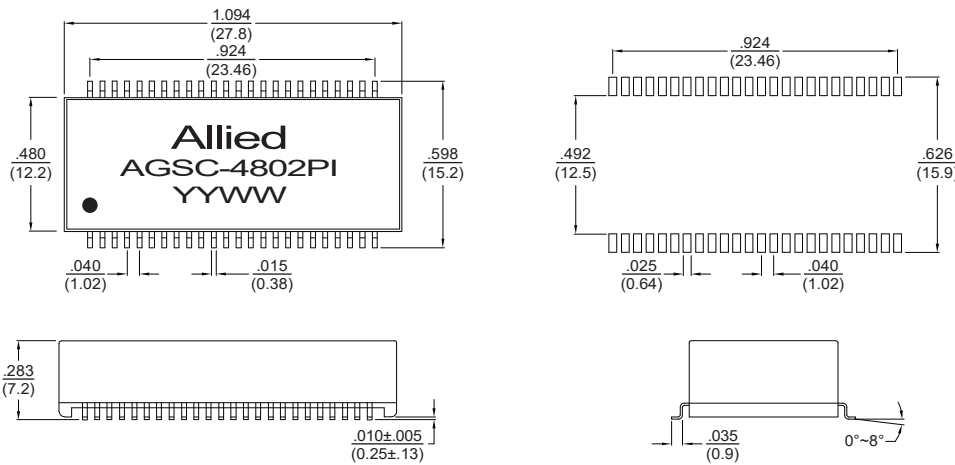
Electrical Specifications @ 25°C					
Part Number	OCL(μH Min) @ 100kHz, 0.2V With 8mA DC Bias	Turns Ratio Pri:Sec (±5%)	Insertion Loss (dB Max)	Return Loss (dB Min)	
			0.3-100MHz	0.3-30MHz	40-100MHz
AGSC-4802PI	350	1CT:1CT	-1.0	-16	-10+20log10(f/80MHz)

Electrical Specifications @ 25°C							
Part Number	Common Mode Rejection (dB Min)			Cross Talk (dB Min)			HI-POT (Vrms)
	30MHz	60MHz	100MHz	30MHz	60MHz	100MHz	
AGSC-4802PI	-40	-35	-30	-40	-35	-30	1500

All specifications subject to change without notice.

### MECHANICAL

Dimensions: inch  
(mm)



Unless otherwise specified all tolerances are ±0.01(0.25)

### SCHEMATICS

