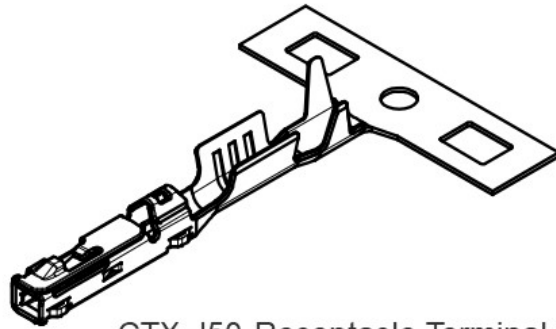




Product Change Notification

Date Issued :	February 10, 2023	PCN Number :	513277
Reason for Change :	Capacity change or tool replacement		
Description of Change :	This notification is to inform you that a stamping machine will be added due to the future production plan. There will be no impact on fit, form or function.		
Reason for Short Notice :	Special Request		
Assessment of Change :	First Article Inspection		
Planned Implementation Date :	March 24, 2023		
Sample Availability Date:	February 03, 2023		
Internal Molex Qualification Date :	February 03, 2023		
Last date to request Samples by Customer :	February 24, 2023		
Traceability Code Markings / Date :	No special marking on the product or packaging		

Before Picture



CTX-J50 Receptacle Terminal press machine addition
Part#5601210102

1

Molex Confidential Information
© 2016 Molex – All Rights Reserved. Unauthorized Reproduction/Distribution is Prohibited.



After Picture

Overview

- As background, in terms of mold#2, press machine addition will be needed due to production plan in future.
- Product Impact
 - “no impact to fit, form or function”
- Part Number Impact
 - 5601210102
- PPAP and samples available upon request
 - Samples are just for reference.
 - The quantity providable per customer is approximately 5 pieces.

2

Molex Confidential Information
© 2016 Molex – All Rights Reserved. Unauthorized Reproduction/Distribution is Prohibited.



RELEASED

You may address inquires regarding this PCN by clicking on the below link
mailto:pcn_coordinator@molex.com?subject=PCN_Notification:513277
or contact your Local Sales Engineer.

Note: While responding, please retain " PCN Notification : **PCN Notification: 513277** " in the e-mail Subject line for faster response.

[Molex, LLC](#)
2222 Wellington Court
Lisle, IL 60532
TEL (800) 786-6539
www.molex.com

PCN No **Part List**

513277 [5601210102](#)