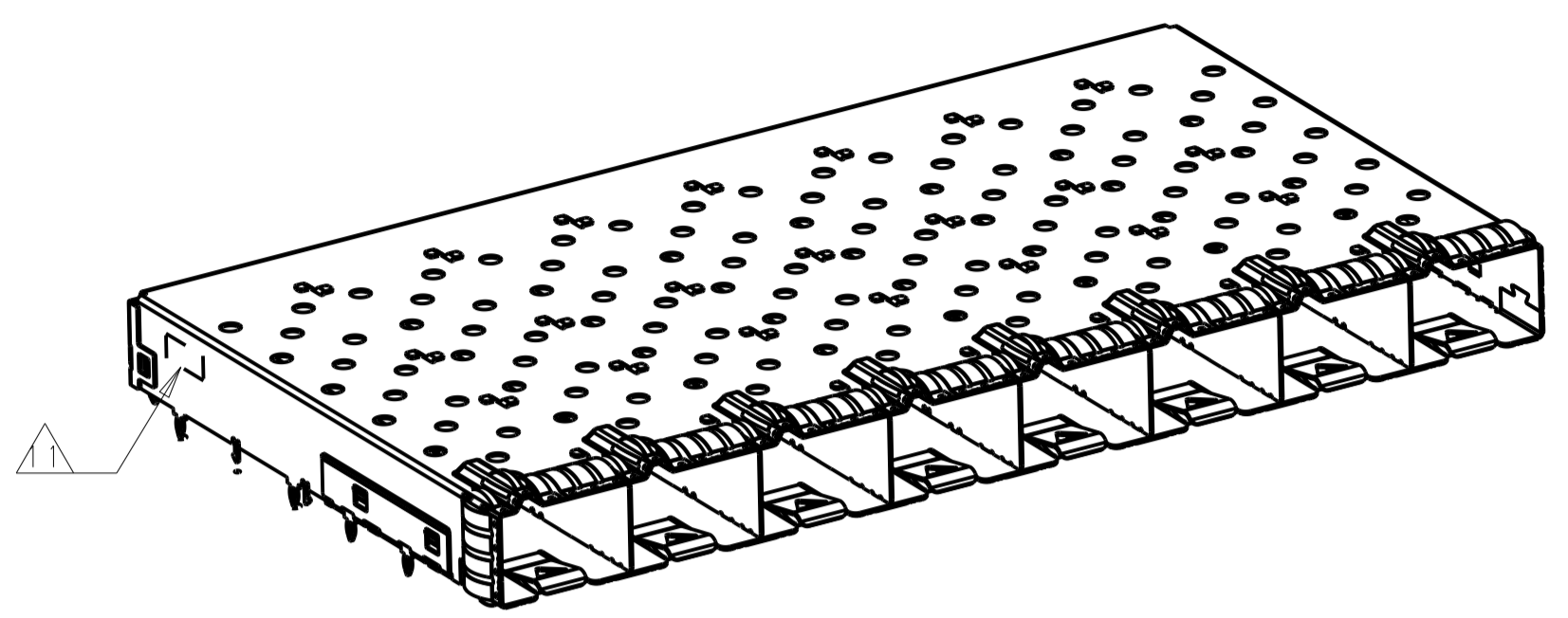
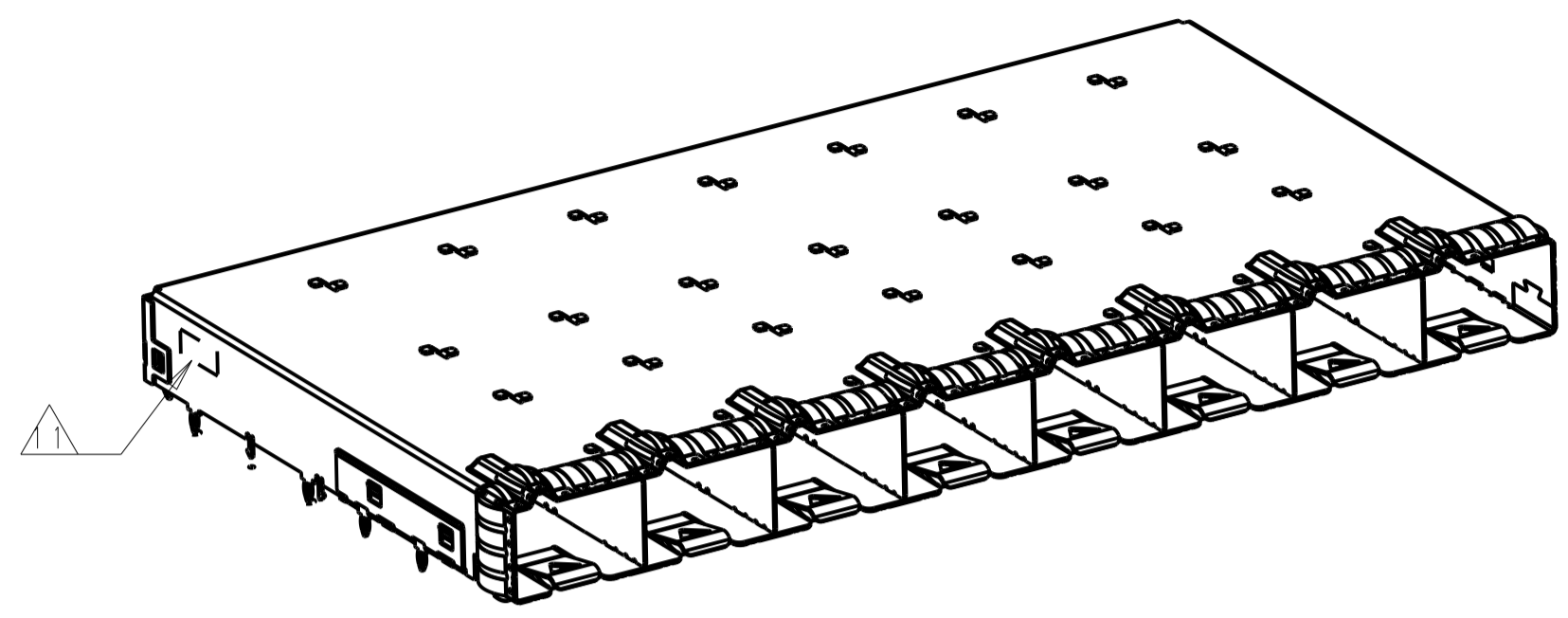


LOC	DIST	REVISIONS			
GP	00	REV	DATE	BY	APPV
		A	INITIAL RELEASE	05FEB2021	AJ SZ
		A1	ADDED NEW DASH 1-2	20MAR2021	AJ SZ

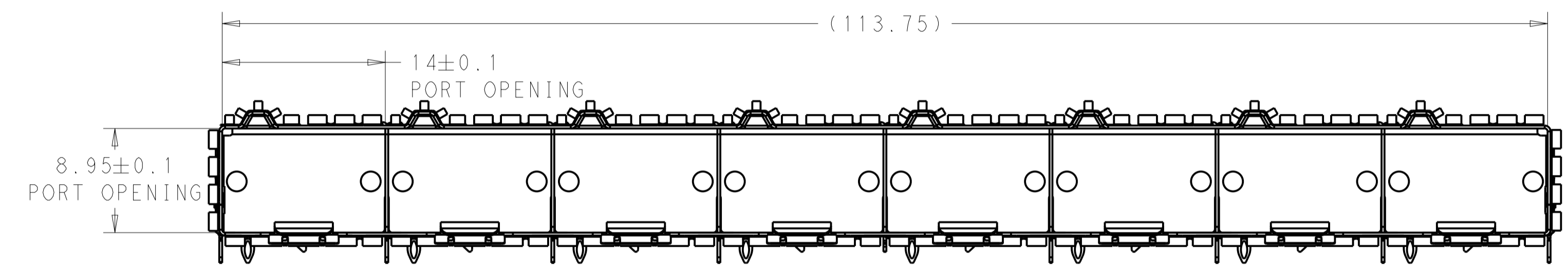
- CAGE: 0.25mm THICK STAINLESS STEEL
EMI SPRINGS: COPPER ALLOY
 - FINISH:
SPRINGS: 0.8um NICKEL. NON-PLATED EDGES PERMISSIBLE.
 - MATES WITH SFP-DD MSA COMPLIANT TRANSCEIVERS.
 - INTERPRETATION OF DATUM REFERENCE FRAME IN ACCORDANCE WITH SECT 4.4.1.1 OF ASME Y14.5M-1994.
 - MINIMUM PC BOARD THICKNESS:
SINGLE SIDED = 1.57mm
DOUBLE SIDED = 2.20mm
- △6 DATUM AND BASIC DIMENSION ESTABLISHED BY CUSTOMER.
- △7 REFERENCE APPLICATION SPEC. 114-60027, HOLE A, FOR RECOMMENDED DRILL HOLE DIAMETER AND PLATING THICKNESS.
- △8 REFERENCE APPLICATION SPEC. 114-60027, HOLE B, FOR RECOMMENDED DRILL HOLE DIAMETER AND PLATING THICKNESS.
- △9 HOLE PATTERN REPEATS FOR EACH PORT. SPACING BETWEEN PORTS IS 14.25mm.
10. DATUM -A- IS TOP SURFACE OF THE HOST BOARD.
- △11 PART NUMBER AND DATE CODE APPROXIMATELY MARKED IN THIS AREA.



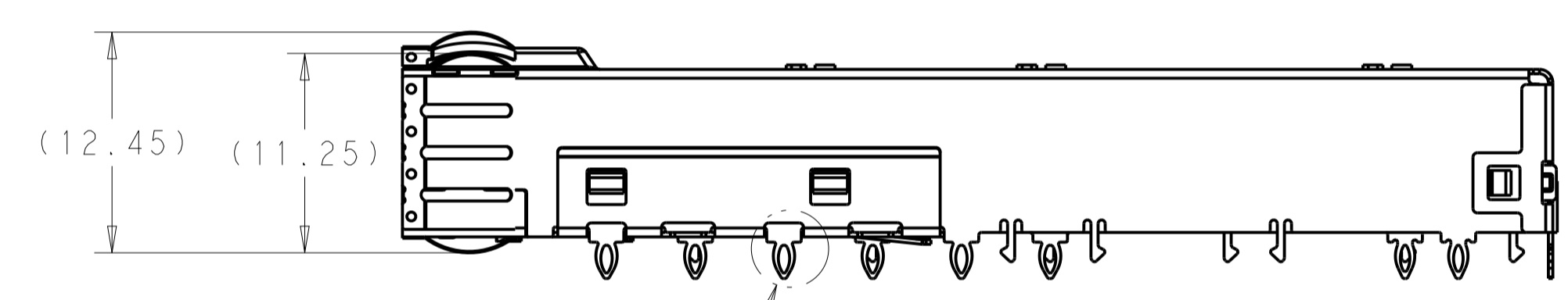
2364488-3
SCALE 3:2



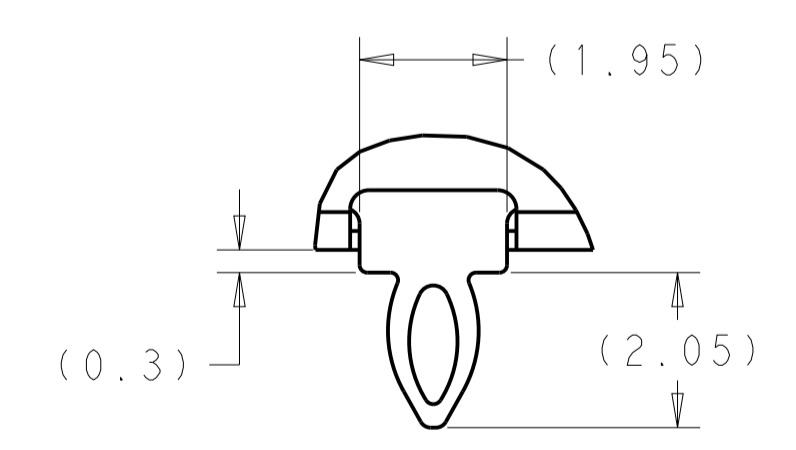
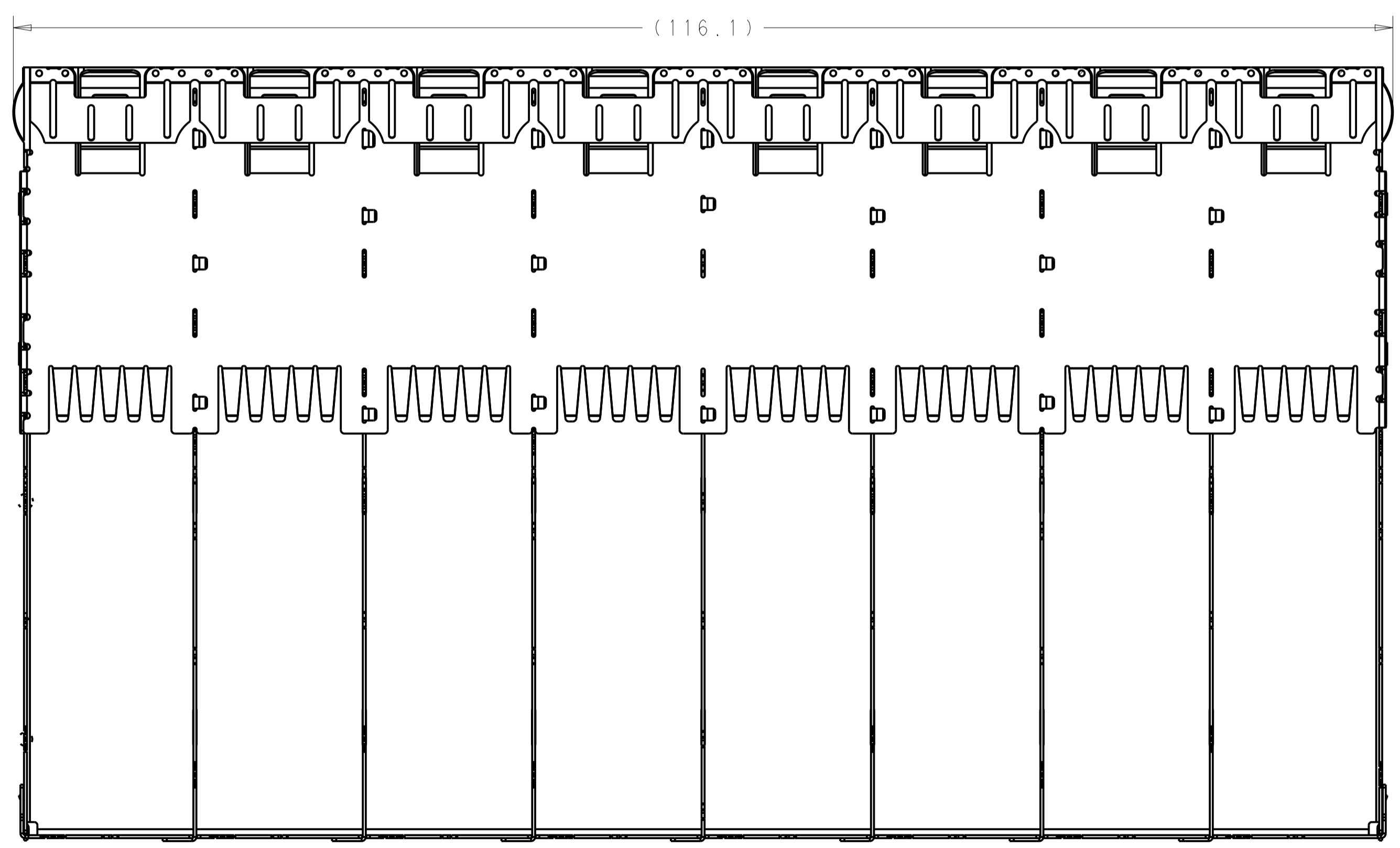
2364488-4
SCALE 3:2



SCALE 3:1



SEE DETAIL A



DETAIL A
SCALE 10:1

DESCRIPTION	PART NUMBER
W/ CLOSED TOP, W/O VENT HOLES	2364488-4
W/ CLOSED TOP, W/ VENT HOLES	2364488-3
W/ OPEN TOP, LP BRACKET	1-2364488-2
W/ OPEN TOP	1-2364488-1

THIS DRAWING IS A CONTROLLED DOCUMENT.

OWN: JASON YANG 22OCT2019
 CHG: SEAN HAN 22OCT2019

APVD: [Signature]

PRODUCT SPEC: 108-60128
 APPLICATION SPEC: 114-60027

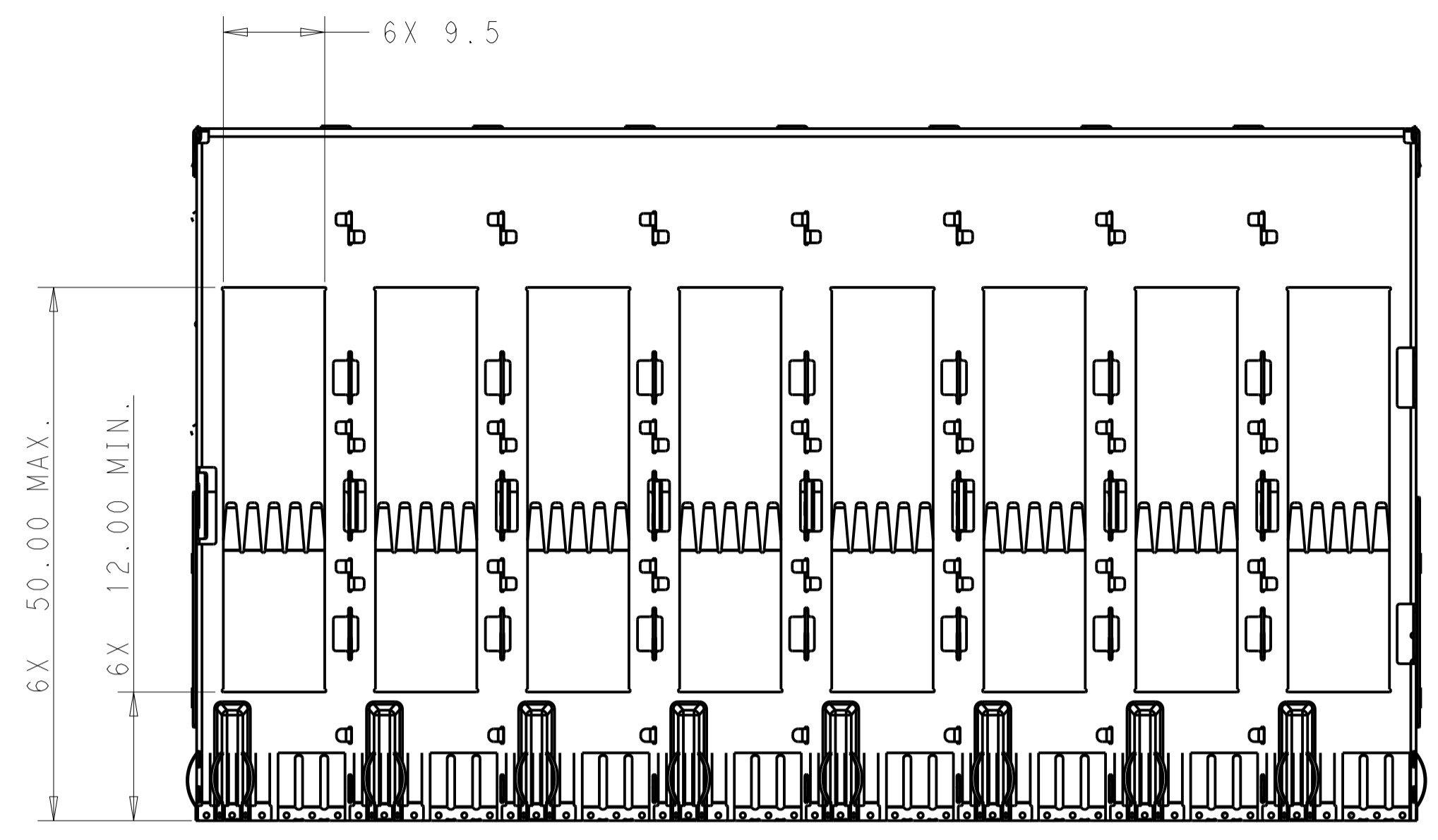
SIZE: A1 CAGE CODE: 00779 DRAWING NO: 2364488
 WEIGHT: [Blank] RESTRICTED TO: [Blank]

CUSTOMER DRAWING SCALE: 1:1 SHEET 1 OF 6 REV: A1

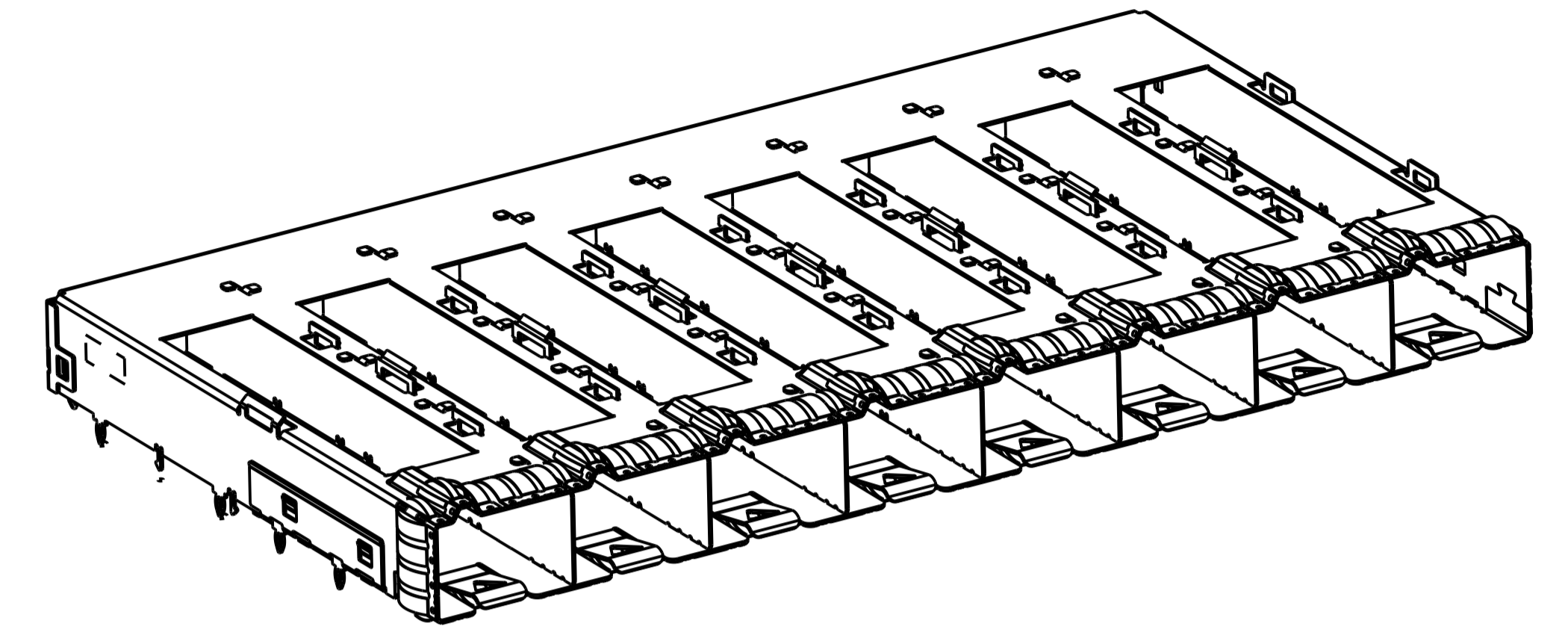
STE TE Connectivity

SFPDD 1X8 CAGE ASSEMBLY
PRESS-FIT, EXTERNAL EMI SPRINGS

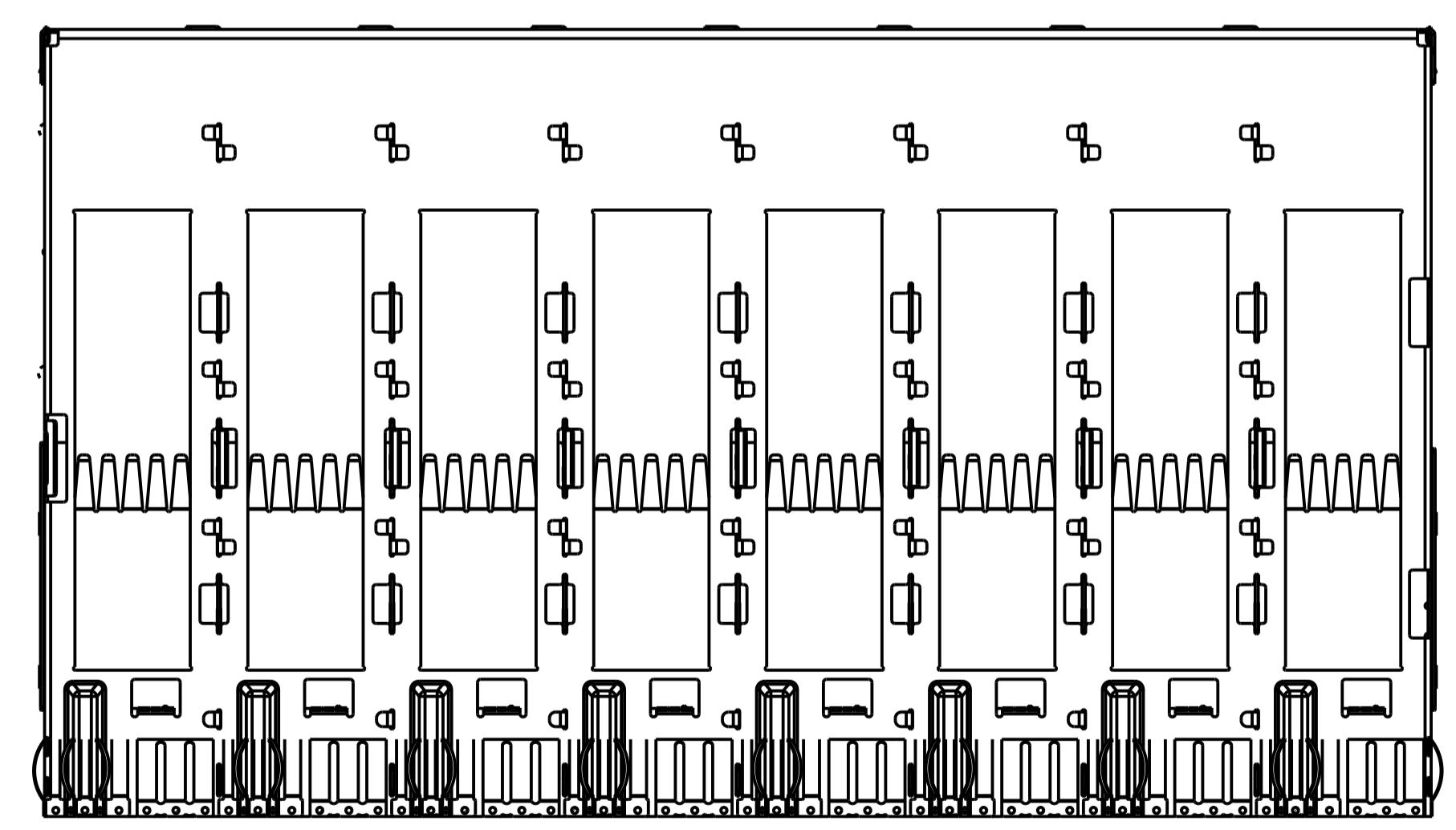
LOC	DIST	REVISIONS			
GP	00	REV	DATE	BY	APPV
		-	SEE SHEET 1	-	-



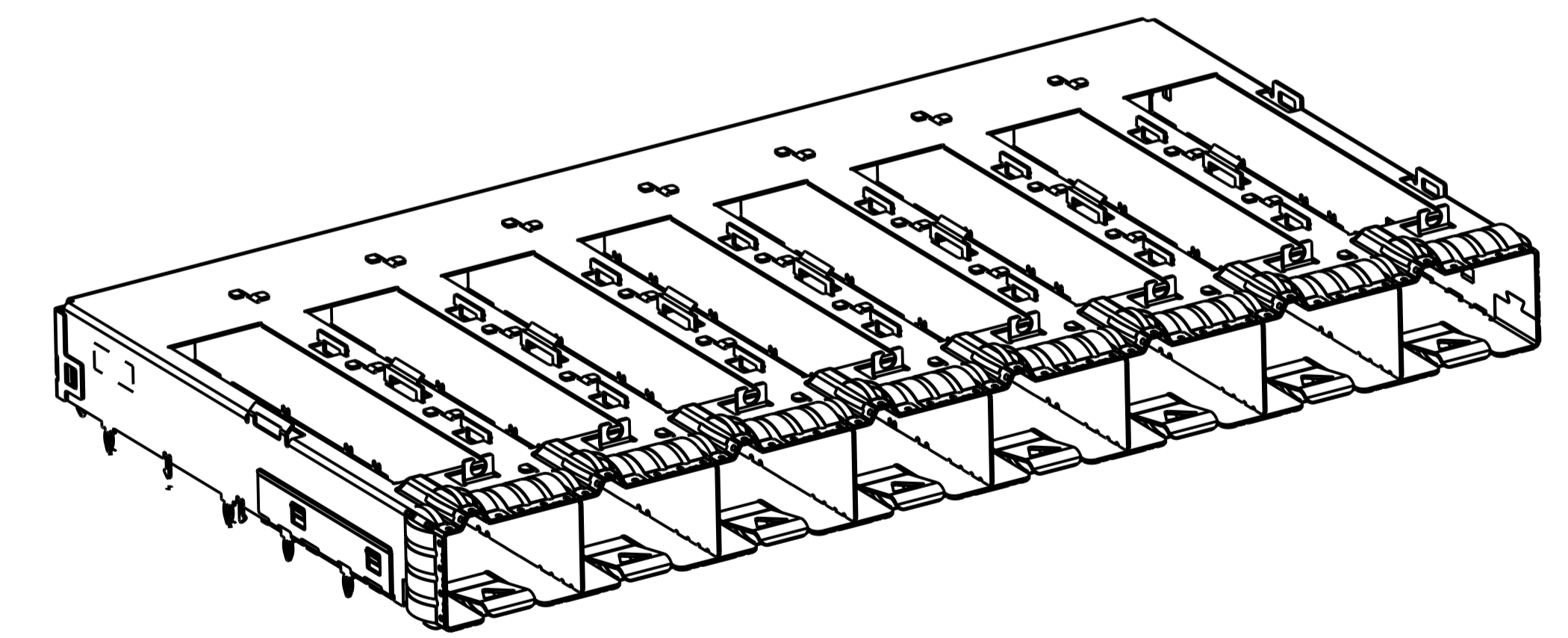
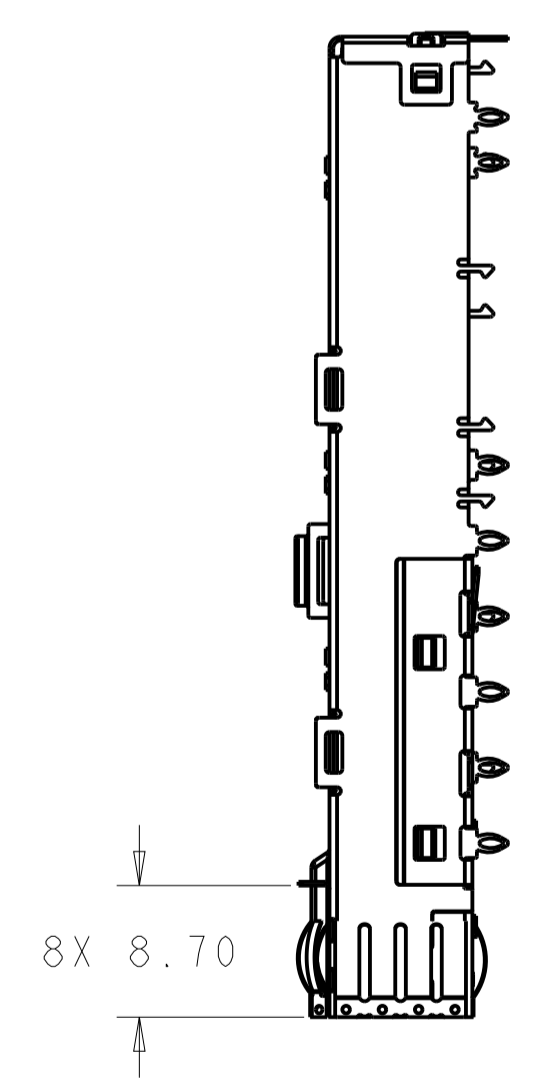
1-2364488-1 AS SHOWN
UNSPECIFIED DIMENSIONS SAME AS -3
SCALE 2:1



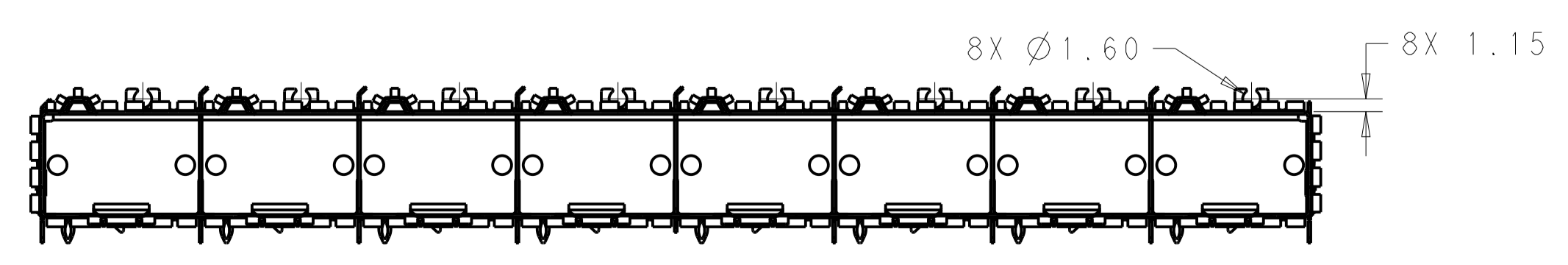
1-2364488-1
SCALE 2:1



1-2364488-2 AS SHOWN
UNSPECIFIED DIMENSIONS SAME AS 1-1
SCALE 2:1

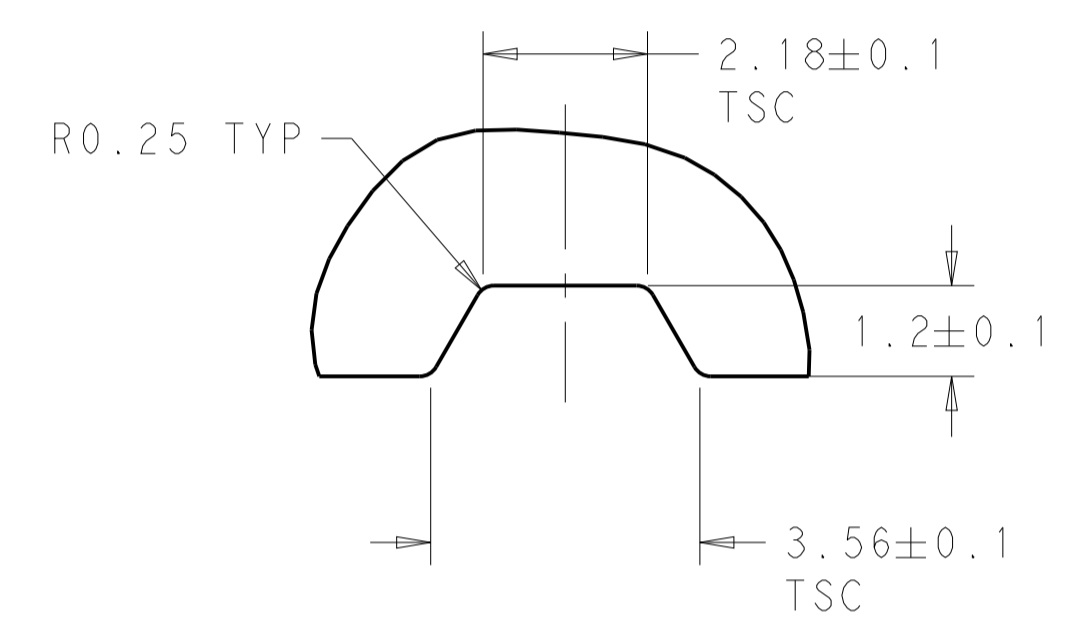
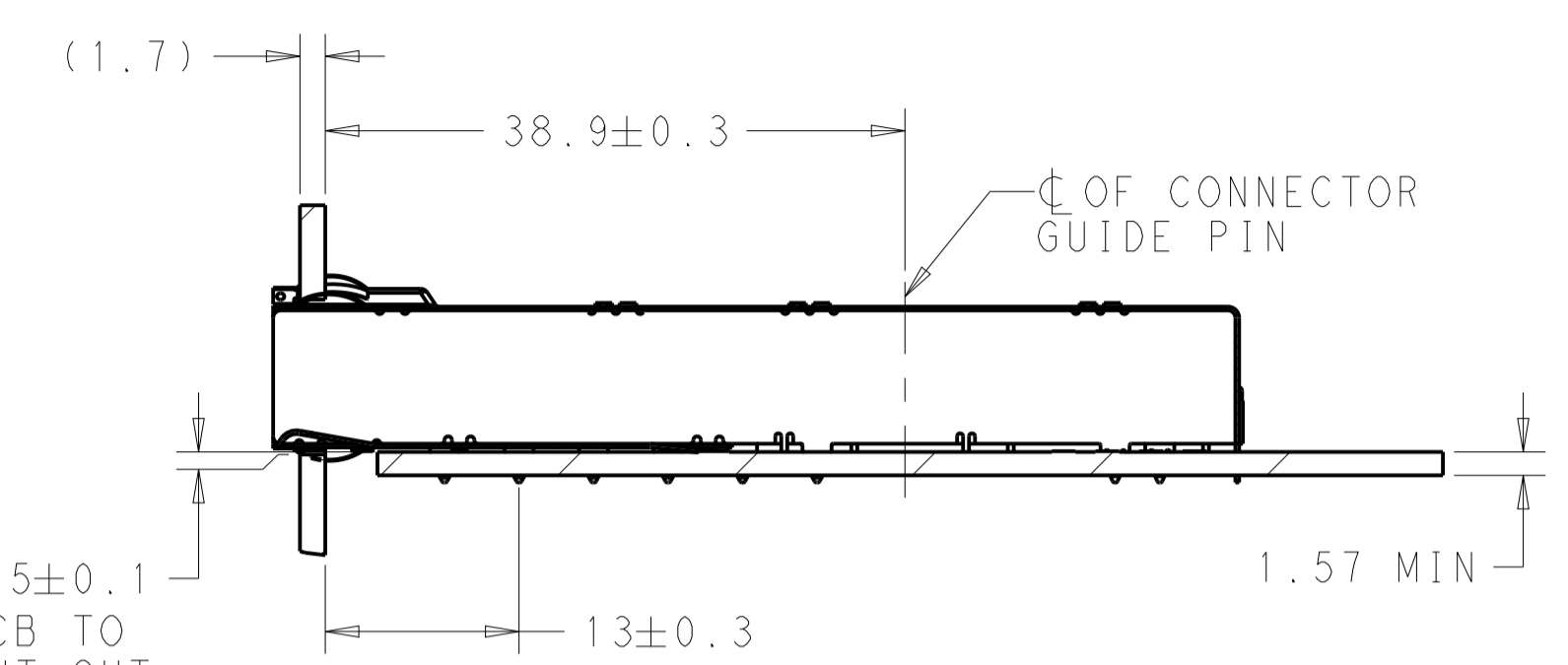
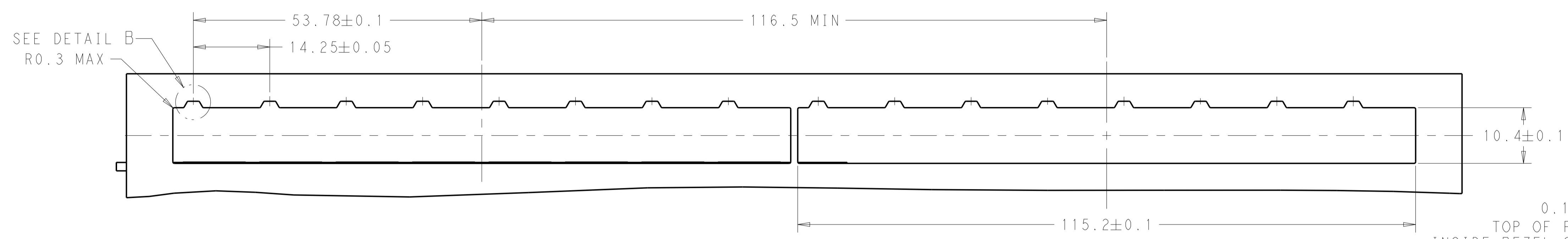


1-2364488-2
SCALE 2:1

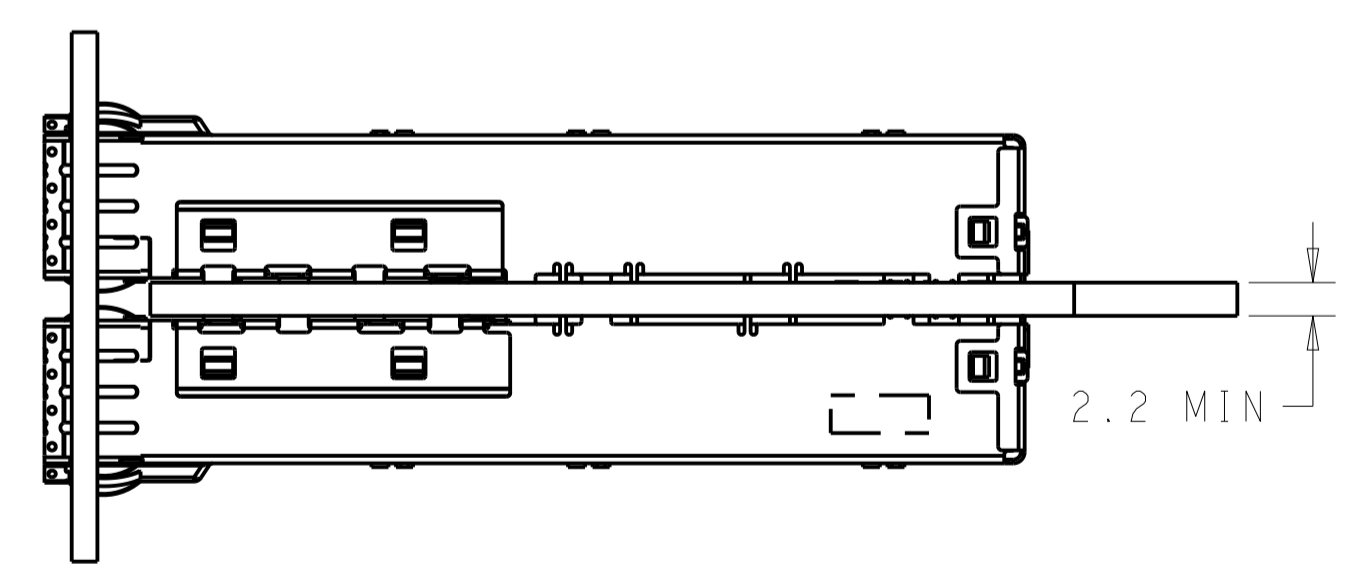
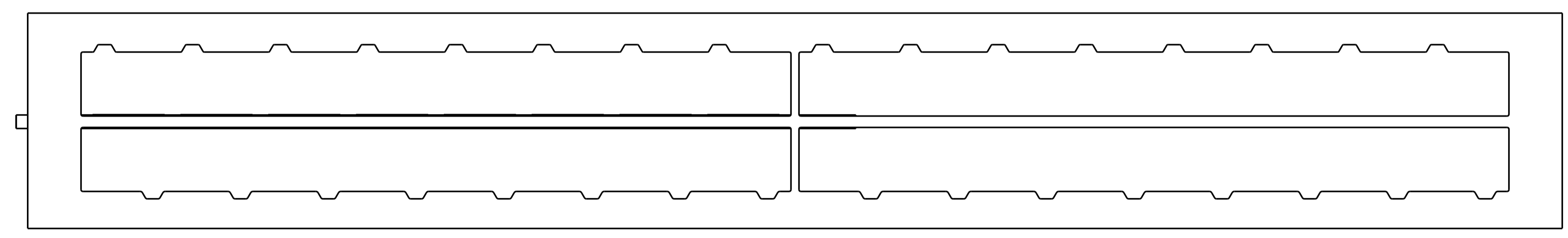


THIS DRAWING IS A CONTROLLED DOCUMENT.		DWN: JASON YANG 22OCT2019		TE Connectivity	
DIMENSIONS: mm		CHK: SEAN HAN 22OCT2019			
TOLERANCES UNLESS OTHERWISE SPECIFIED:		APVD:		NAME: SFPDD 1X8 CAGE ASSEMBLY PRESS-FIT, EXTERNAL EMI SPRINGS	
0 PLC ±0.25		PRODUCT SPEC: 108-60128		SIZE: A1	
1 PLC ±0.25		APPLICATION SPEC: 114-60027		CAGE CODE: 2364488	
2 PLC ±0.20		WEIGHT:		RESTRICTED TO:	
3 PLC ±0.20		CUSTOMER DRAWING		SCALE: 1:1 SHEET 2 OF 6 REV: A1	
4 PLC ±					
ANGLES ±					
FINISH:					

LOC	DIST	REVISIONS			
GP	00	REV	DATE	BY	APPV
-	-	SEE SHEET 1	-	-	-

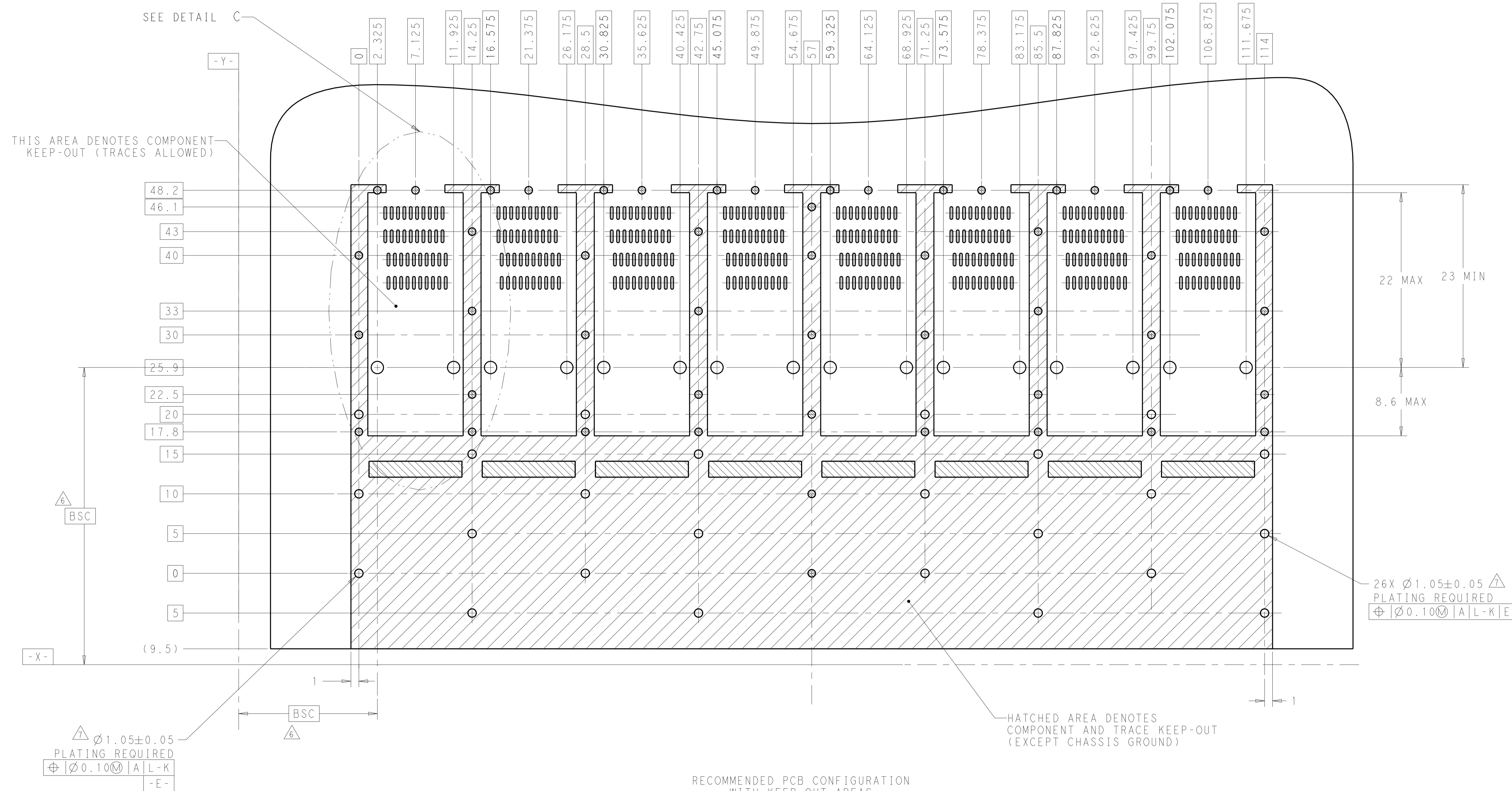


DETAIL B
SCALE 10:1



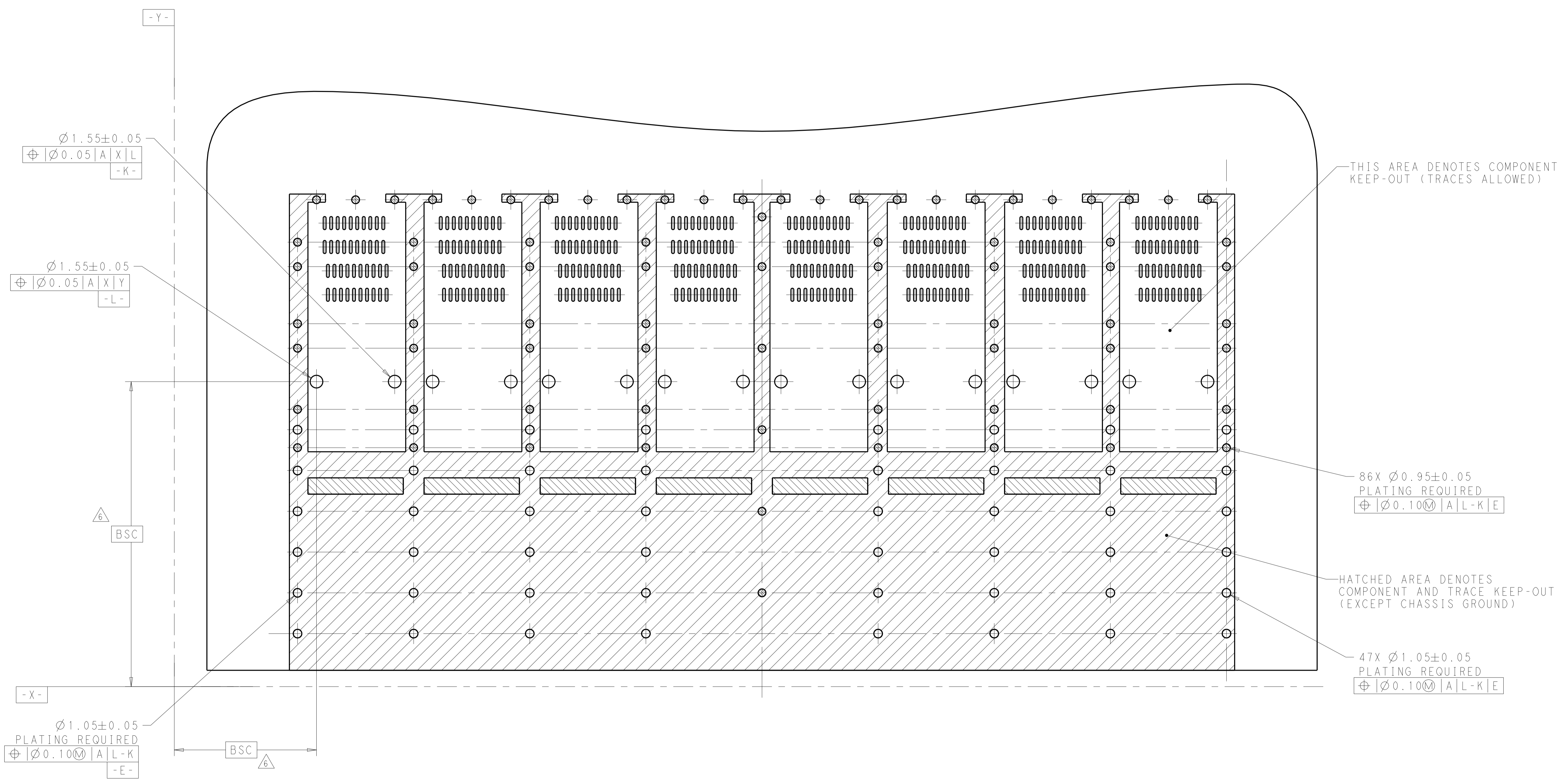
THIS DRAWING IS A CONTROLLED DOCUMENT.		OWN: JASON YANG 22OCT2019	TE Connectivity
DIMENSIONS: mm		CHK: SEAN HAN 22OCT2019	
TOLERANCES UNLESS OTHERWISE SPECIFIED:		APVD:	NAME: SFPDD 1X8 CAGE ASSEMBLY PRESS-FIT, EXTERNAL EMI SPRINGS
0 PLC	±0.25	PRODUCT SPEC	108-60128
1 PLC	±0.25	APPLICATION SPEC	114-60027
2 PLC	±0.20	FINISH	SCALE 1:1
3 PLC	±0.20	MATERIAL	SHEET 3 OF 6
4 PLC	±0.20	WEIGHT	REV A1
ANGLES	±	CUSTOMER DRAWING	

LOC	DIST	REVISIONS			
GP	00	REV	DATE	BY	APPV
-	-	SEE SHEET 1	-	-	-



THIS DRAWING IS A CONTROLLED DOCUMENT.		DWN: JASON YANG 22OCT2019	TE Connectivity
DIMENSIONS: mm		CHK: SEAN HAN 22OCT2019	
TOLERANCES UNLESS OTHERWISE SPECIFIED: 0 PLC ± 0.25 1 PLC ± 0.25 2 PLC ± 0.20 3 PLC ± 0.20 4 PLC ± 0.20 ANGLES ± 0.20		PRODUCT SPEC: 108-60128 APPLICATION SPEC: 114-60027 WEIGHT: -	NAME: SFPDD 1X8 CAGE ASSEMBLY PRESS-FIT, EXTERNAL EMI SPRINGS SIZE: A1 CAGE CODE: 00779 DRAWING NO: C=2364488
MATERIAL: -		FINISH: -	RESTRICTED TO: -
CUSTOMER DRAWING		SCALE: 1:1	SHEET 4 OF 6 REV A1

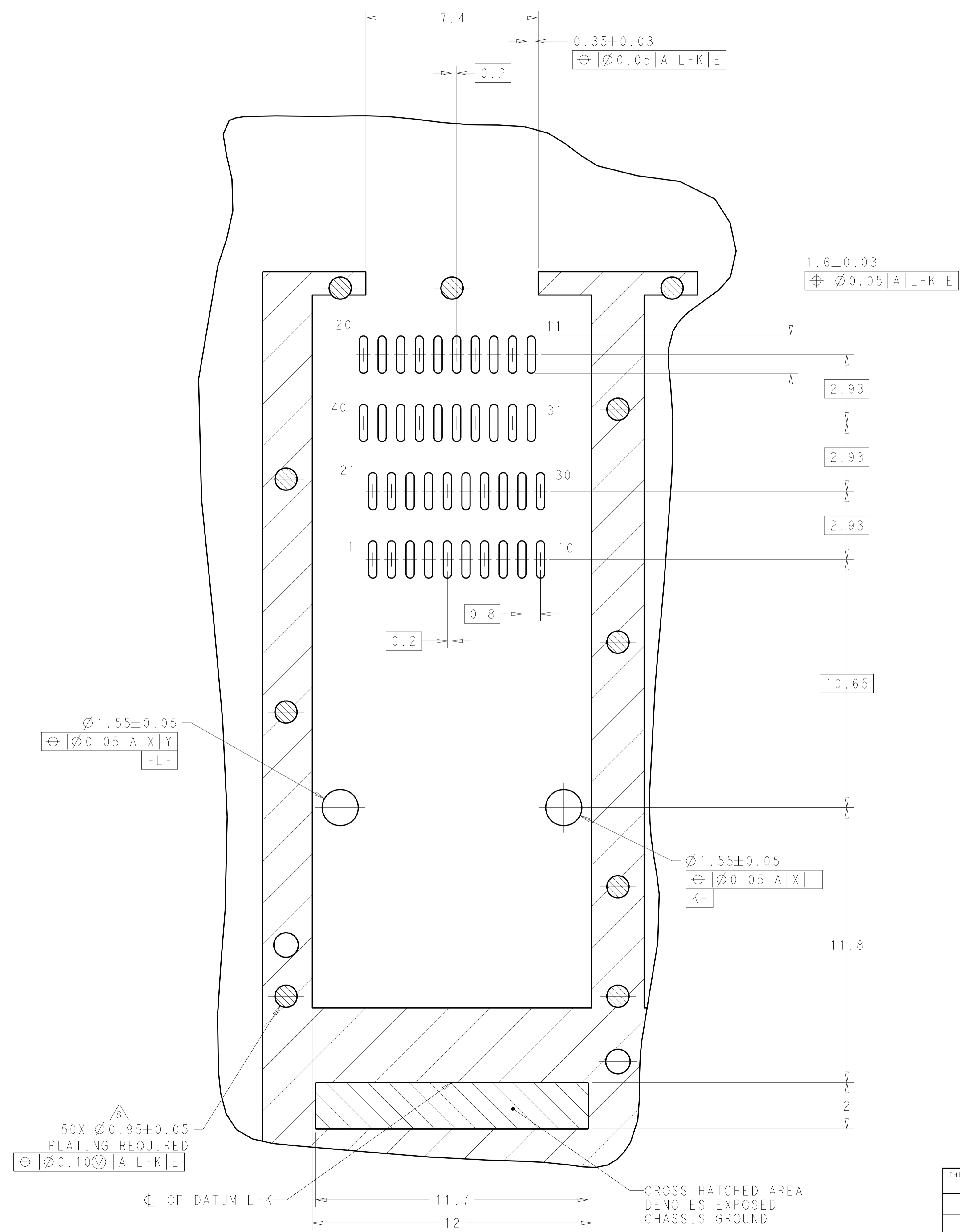
LOC	DIST	REVISIONS			
P	LTN	DESCRIPTION	DATE	DWN	APVD
-	-	SEE SHEET 1	-	-	-



RECOMMENDED PCB CONFIGURATION WITH KEEP-OUTS FOR BELLY TO BELLY APPLICATIONS
 SAME AS SINGLE SIDE APPLICATION, EXCEPT AS SHOWN
 PCB TOLERANCE: ±0.05
 SCALE 4:1

THIS DRAWING IS A CONTROLLED DOCUMENT.		DWN: JASON YANG 22OCT2019	TE Connectivity
DIMENSIONS: mm		CHK: SEAN HAN 22OCT2019	
TOLERANCES UNLESS OTHERWISE SPECIFIED: 0 PLC ±0.25 1 PLC ±0.25 2 PLC ±0.20 3 PLC ±0.20 4 PLC ±0.20 ANGLES ±		APVD: PRODUCT SPEC: 108-60128 APPLICATION SPEC: 114-60027	NAME: SFPDD 1X8 CAGE ASSEMBLY PRESS-FIT, EXTERNAL EMI SPRINGS SIZE: A1 CAGE CODE: 100779 DRAWING NO: C=2364488
MATERIAL:		FINISH: -	WEIGHT: - CUSTOMER DRAWING: - SCALE: 1:1 SHEET 5 OF 6 REV A1

LOC	DIST	REVISIONS			
GP	00	REV	DATE	BY	APPV
-	-	SEE SHEET 1	-	-	-



$\varnothing 1.55 \pm 0.05$
 $\oplus \varnothing 0.05 | A | X | Y$
 -L-

$\varnothing 1.55 \pm 0.05$
 $\oplus \varnothing 0.05 | A | X | L$
 K-

50X $\varnothing 0.95 \pm 0.05$
 PLATING REQUIRED
 $\oplus \varnothing 0.10 \text{ (M)} | A | L - K | E$

CROSS HATCHED AREA
 DENOTES EXPOSED
 CHASSIS GROUND

DETAIL C
 SCALE 10:1

THIS DRAWING IS A CONTROLLED DOCUMENT.		DWN: JASON YANG 22OCT2019	TE Connectivity
		CHK: SEAN HAN 22OCT2019	
DIMENSIONS: mm		APVD:	NAME: SFPDD 1X8 CAGE ASSEMBLY PRESS-FIT, EXTERNAL EMI SPRINGS
TOLERANCES UNLESS OTHERWISE SPECIFIED: 0 PLC ± 0.25 1 PLC ± 0.25 2 PLC ± 0.20 3 PLC ± 0.20 4 PLC ± 0.20 ANGLES \pm		PRODUCT SPEC: 108-60128	RESTRICTED TO:
MATERIAL: FINISH:		APPLICATION SPEC: 114-60027	SIZE: A1
		WEIGHT: -	CAGE CODE: 100779
		CUSTOMER DRAWING	SCALE: 1:1 SHEET 6 OF 6 REV: A1