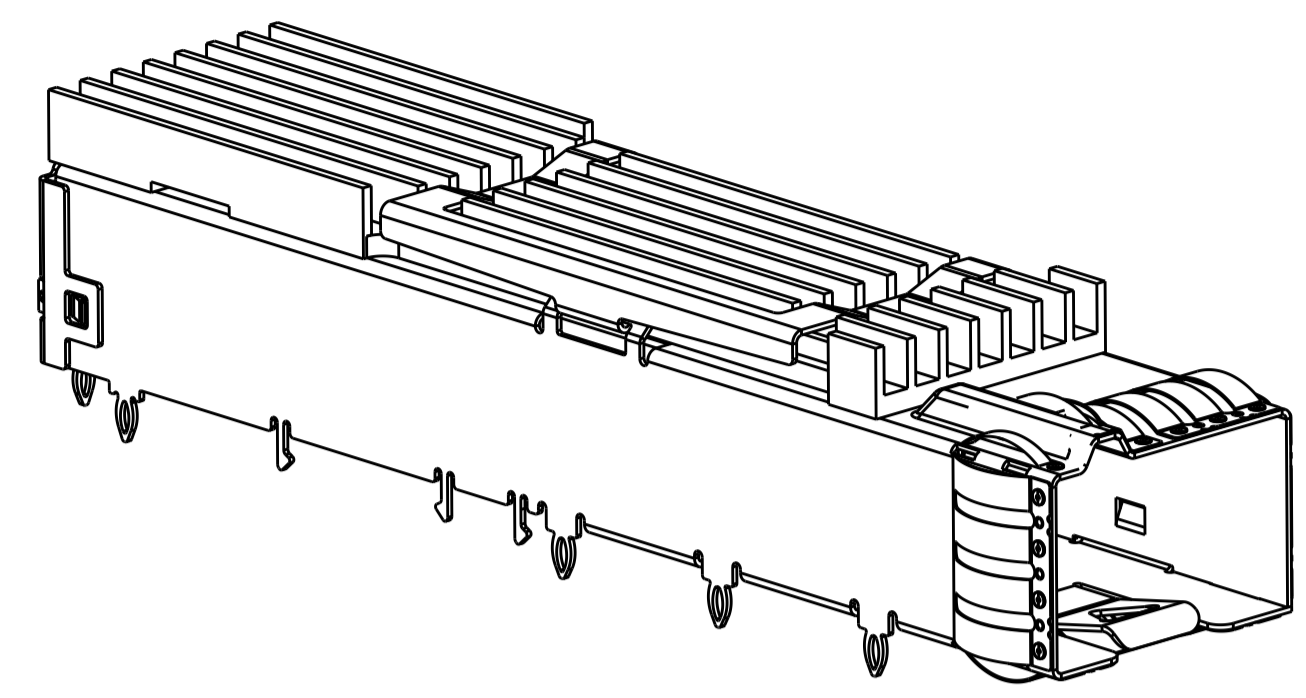
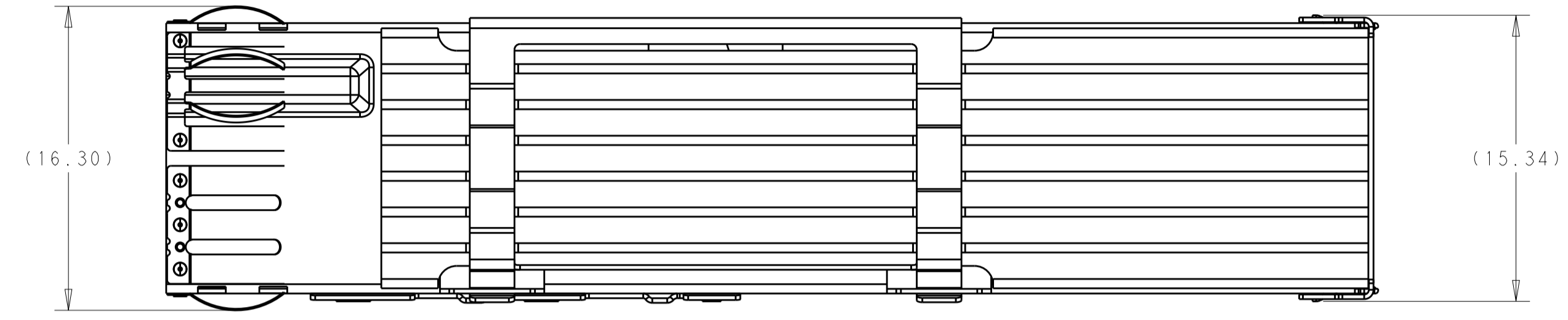


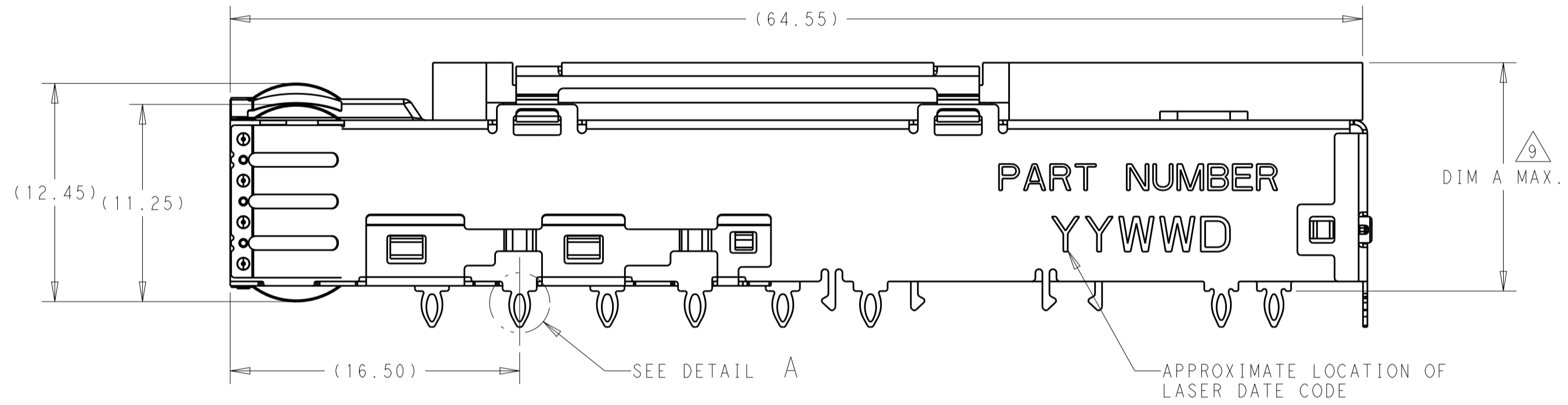
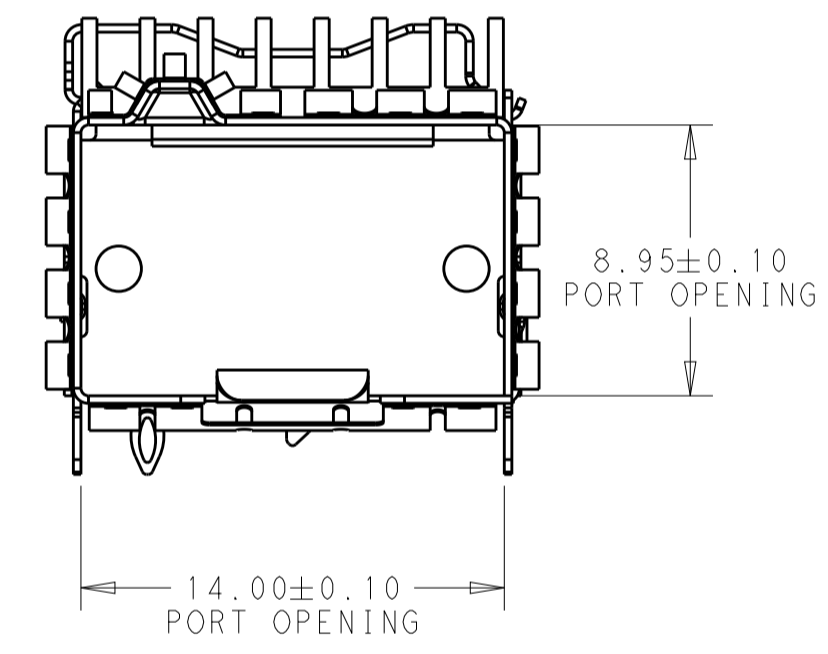
REVISIONS				
P.	LTN.	DESCRIPTION	DATE	APVD.
A		INITIAL RELEASE	18JUN2020	AJ SH



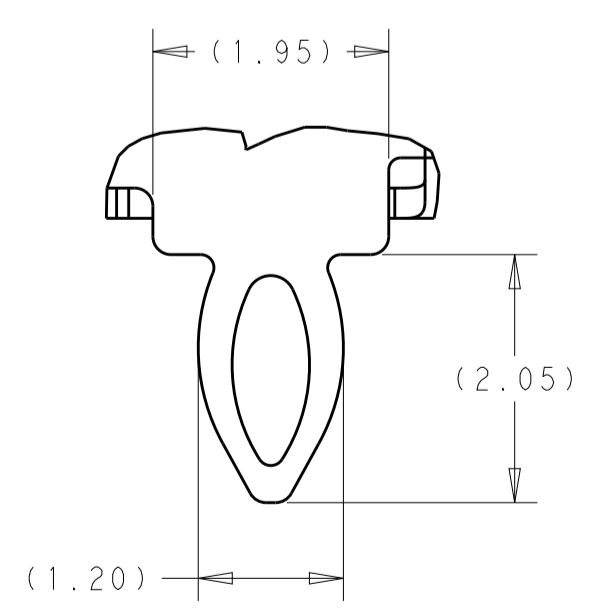
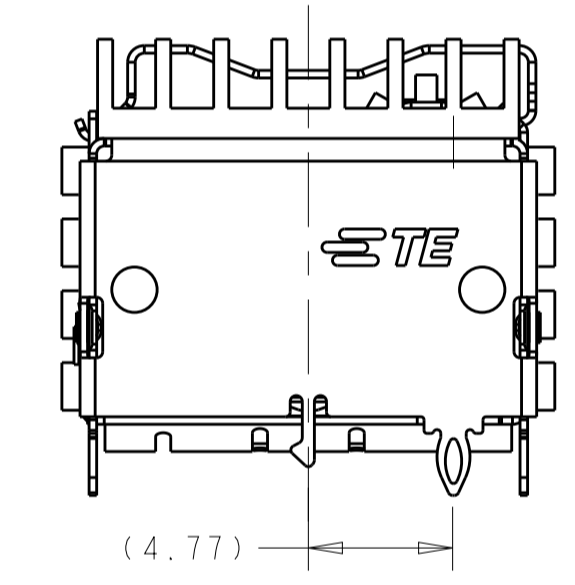
2359845-1 AS SHOWN  
SCALE 3:1



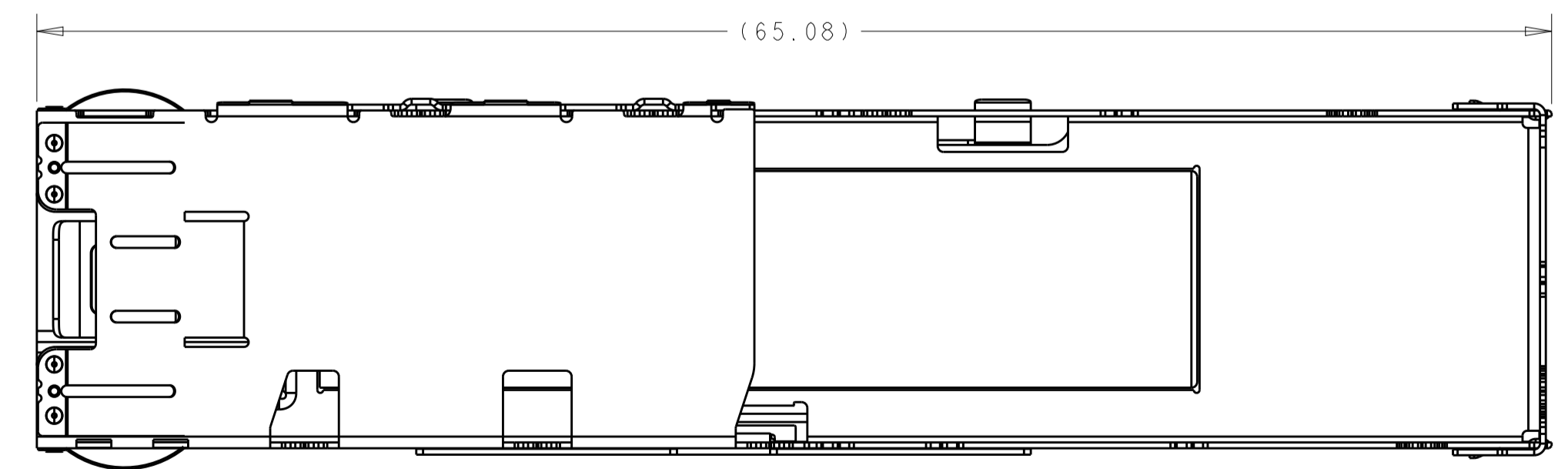
- 1 MATERIAL:  
CAGE ASSEMBLY - 0.25mm THICK STAINLESS STEEL.  
EMI SPRINGS - COPPER ALLOY.  
HEAT SINK - ALUMINUM  
CLIP - STAINLESS STEEL.
- 2 FINISH  
EMI SPRINGS - NICKEL PLATING, NON-PLATED EDGES PERMISSIBLE.  
HEAT SINK - BLACK ANODIZED
3. MATES WITH SFP-DD MSA COMPLIANT TRANSCEIVERS.
- 4 DATUM AND BASIC DIMENSION ESTABLISHED BY CUSTOMER.
5. MINIMUM PC BOARD THICKNESS:  
SINGLE SIDED = 1.57 mm  
DOUBLE SIDED = 2.20 mm
- 6 REFERENCE APPLICATION SPEC. 114-60027, HOLE A, FOR RECOMMENDED DRILL HOLE DIAMETER AND PLATING THICKNESS.
- 7 REFERENCE APPLICATION SPEC. 114-60027, HOLE B, FOR RECOMMENDED DRILL HOLE DIAMETER AND PLATING THICKNESS.
8. DATUM -A- IS TOP SURFACE OF THE HOST BOARD.
- 9 MAXIMUM HEIGHT WITH MODULE INSERTED.



2359845-1 AS SHOWN  
SCALE 4:1



DETAIL A  
SCALE 16:1

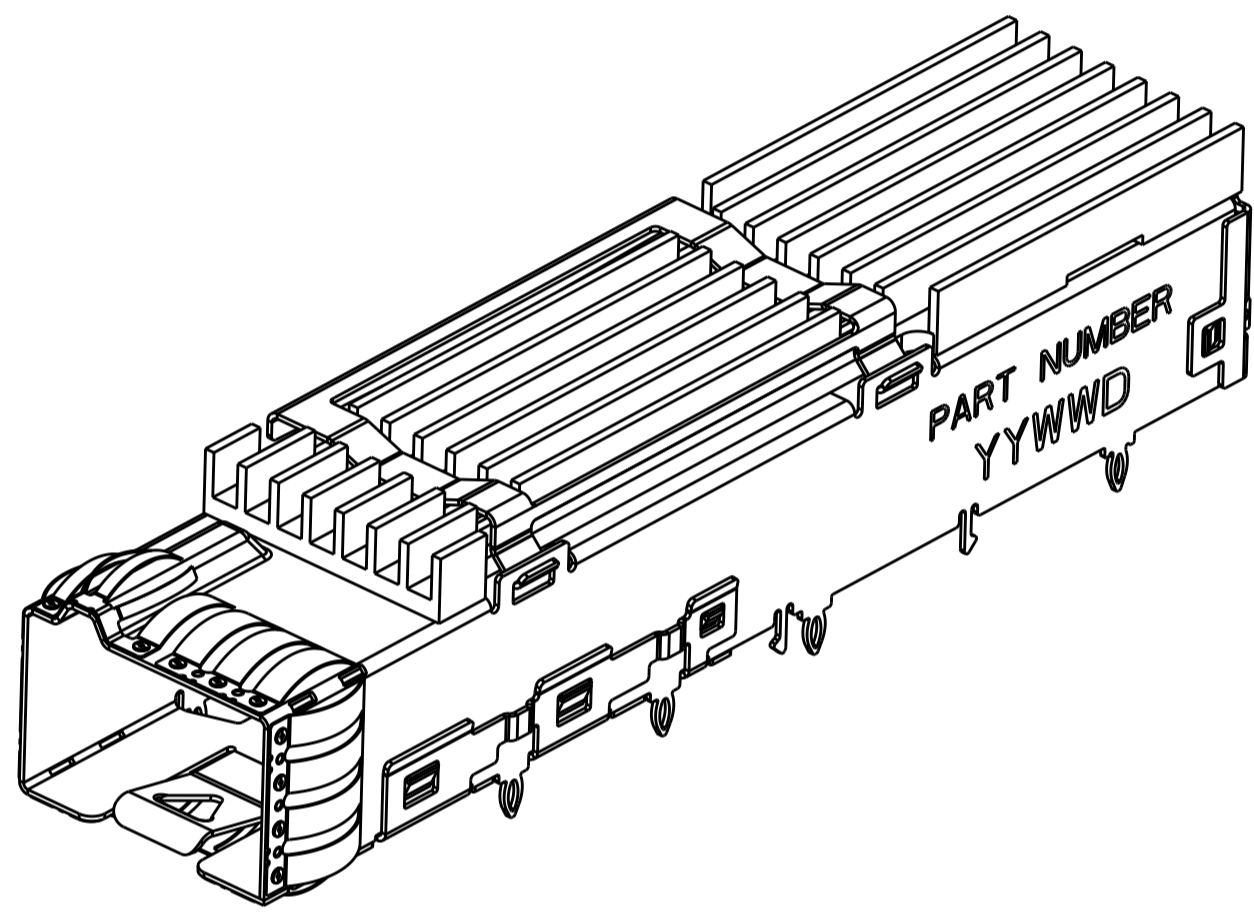


23.00	NET WORKING	2359845-3
16.00	SAN	2359845-2
13.70	PCI	2359845-1
DIM.A	APPLICATION	PART NUMBER

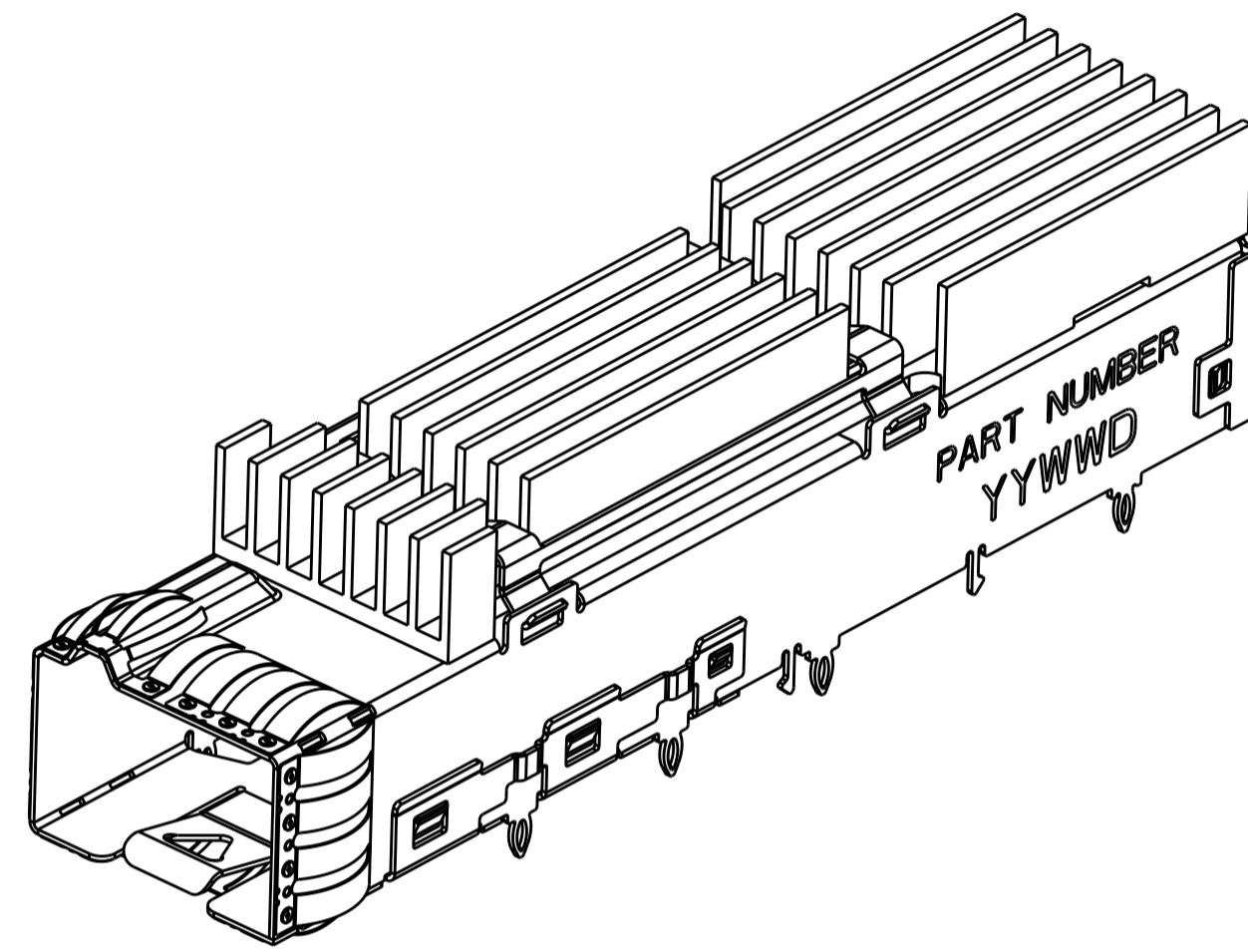
THIS DRAWING IS A CONTROLLED DOCUMENT.		DWN: ARTHUR JIN 16JUL2019	NAME: CAGE ASSEMBLY, SFPDD 1X1 STANDARD, W/ GENERAL HS	
DIMENSIONS:		CHK: SEAN HAN 16JUL2019	RESTRICTED TO	
mm	TOLERANCES UNLESS OTHERWISE SPECIFIED:	APVD:	A 100779 ©=2359845	
	0 PLC ±	PRODUCT SPEC	SCALE 3:1 SHEET 1 OF 5 REV A	
	1 PLC ±0.25	108-60128		
	2 PLC ±0.20	APPLICATION SPEC		
	3 PLC ±0.10	114-60027		
	4 PLC ±	WEIGHT		
	ANGLES ±	CUSTOMER DRAWING		
MATERIAL	FINISH			

THIS DRAWING IS UNPUBLISHED. RELEASED FOR PUBLICATION 20  
COPYRIGHT 20 BY ALL RIGHTS RESERVED.

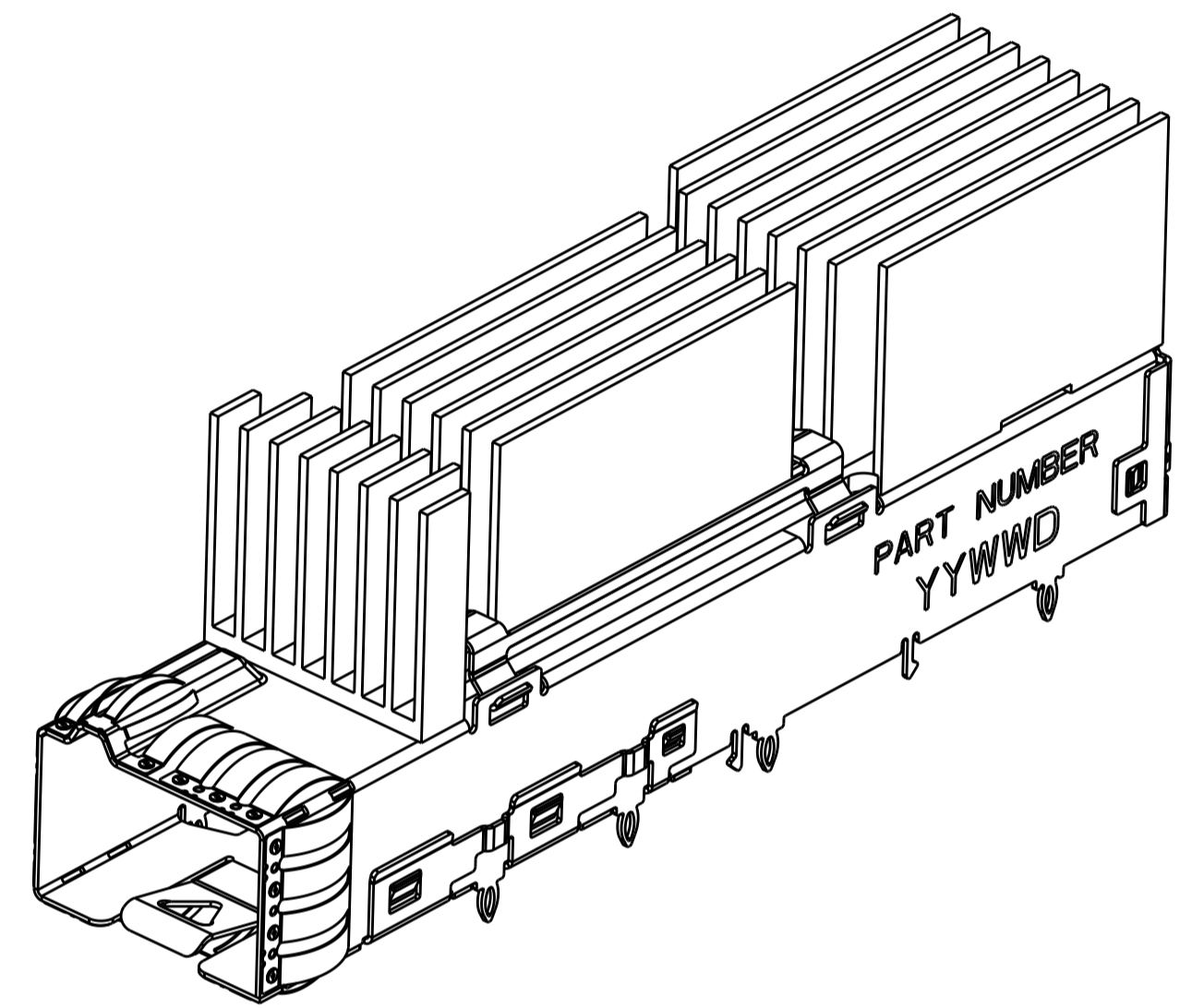
REVISIONS				
P.	LTN	DESCRIPTION	DATE	APVD
		SEE SHEET 1		



2359845-1 AS SHOWN  
W/ PCI HS  
SCALE 3:1



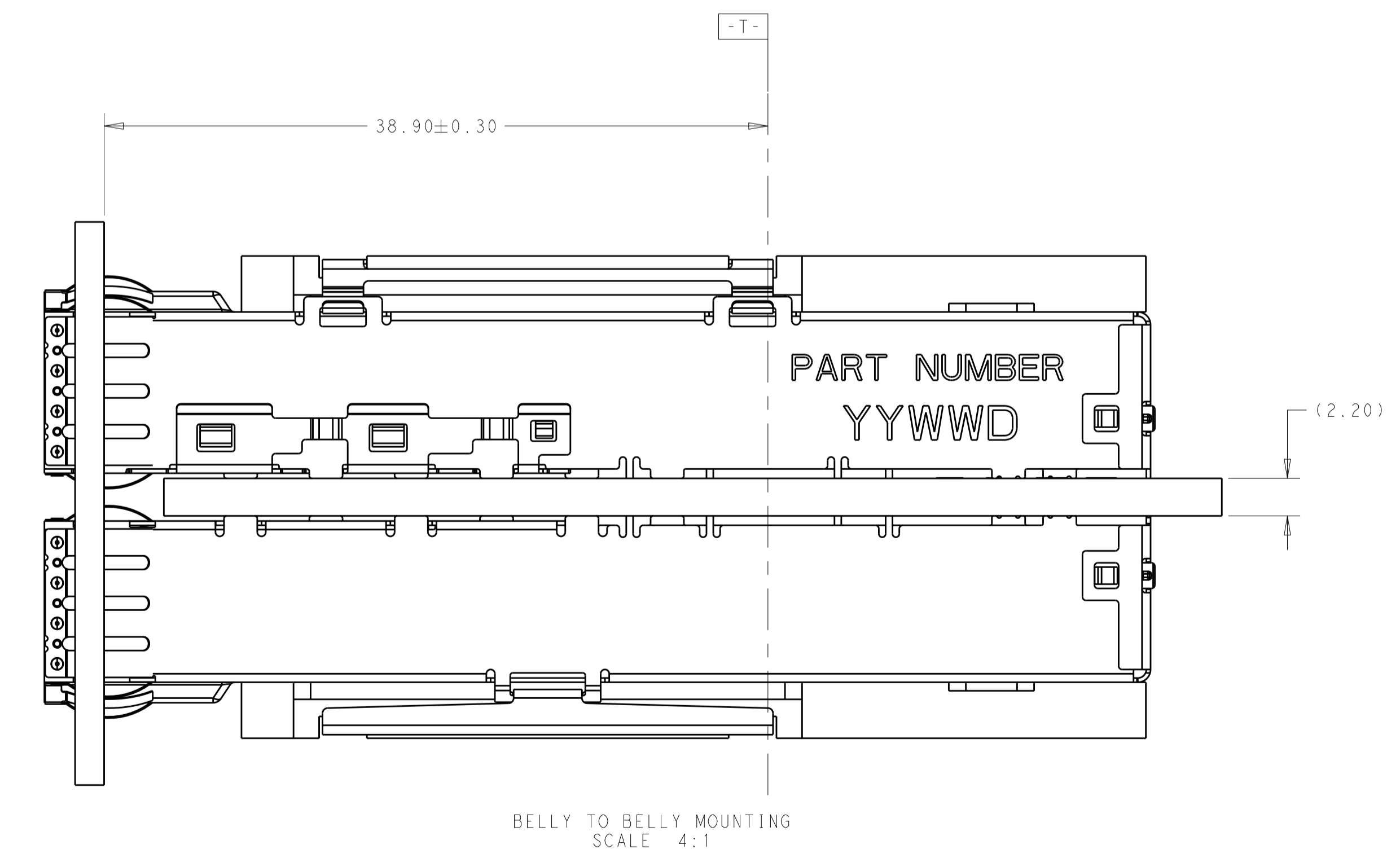
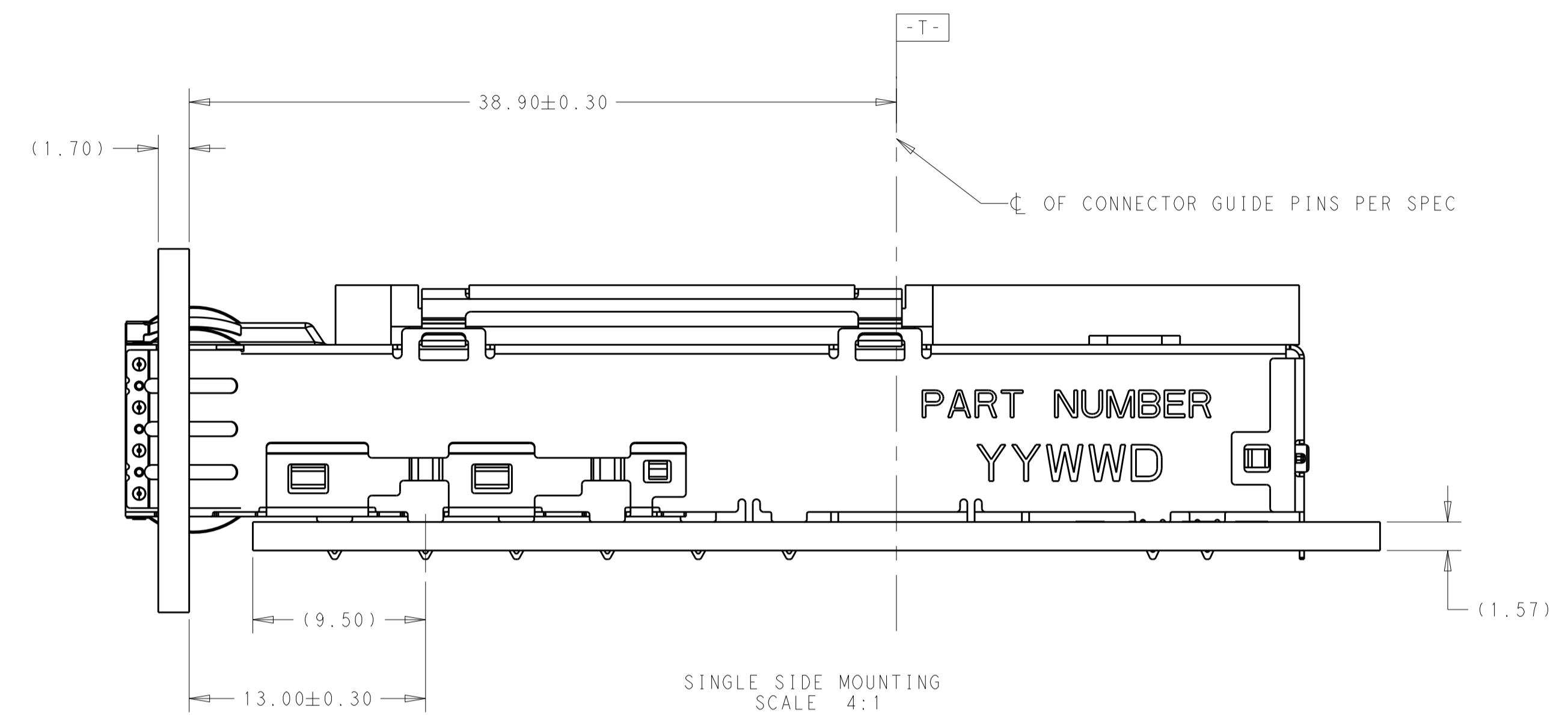
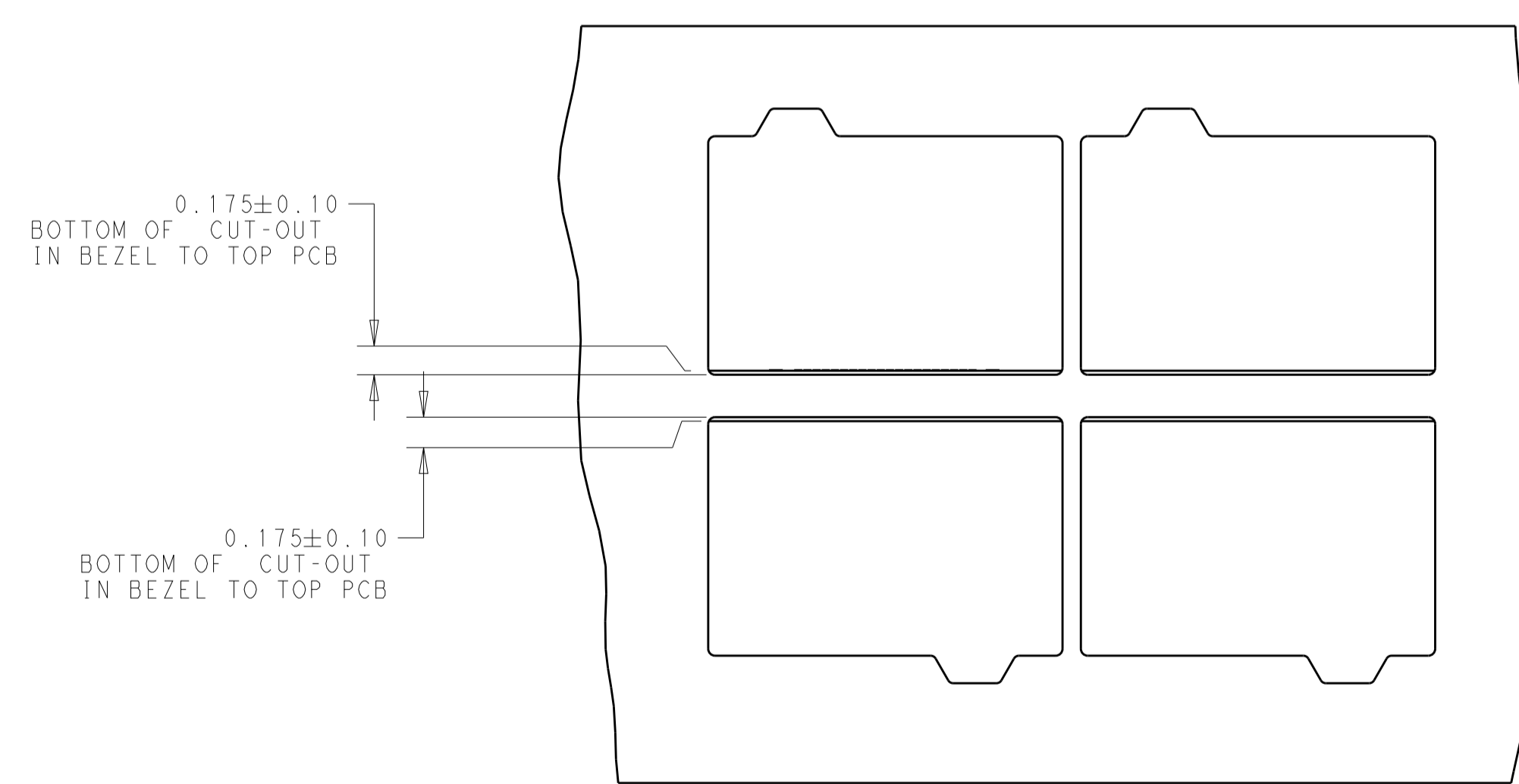
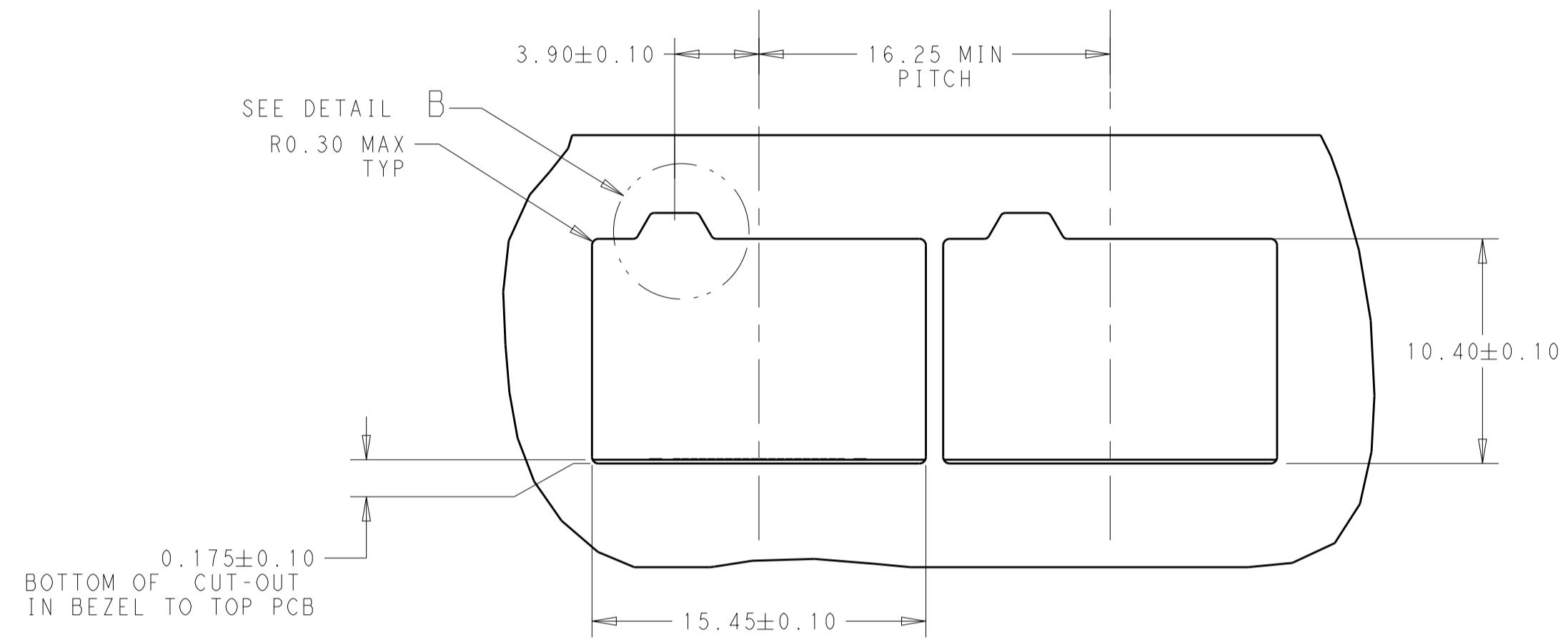
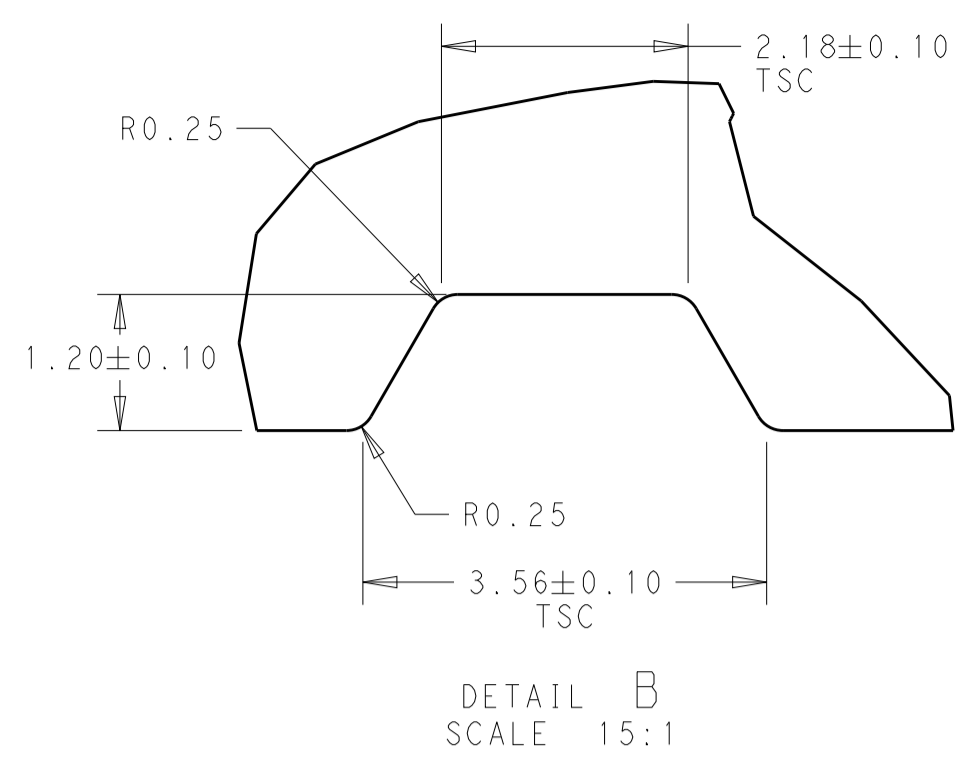
2359845-2 AS SHOWN  
W/ SAN HS  
SCALE 3:1



2359845-3 AS SHOWN  
W/ NET WORKING HS  
SCALE 3:1

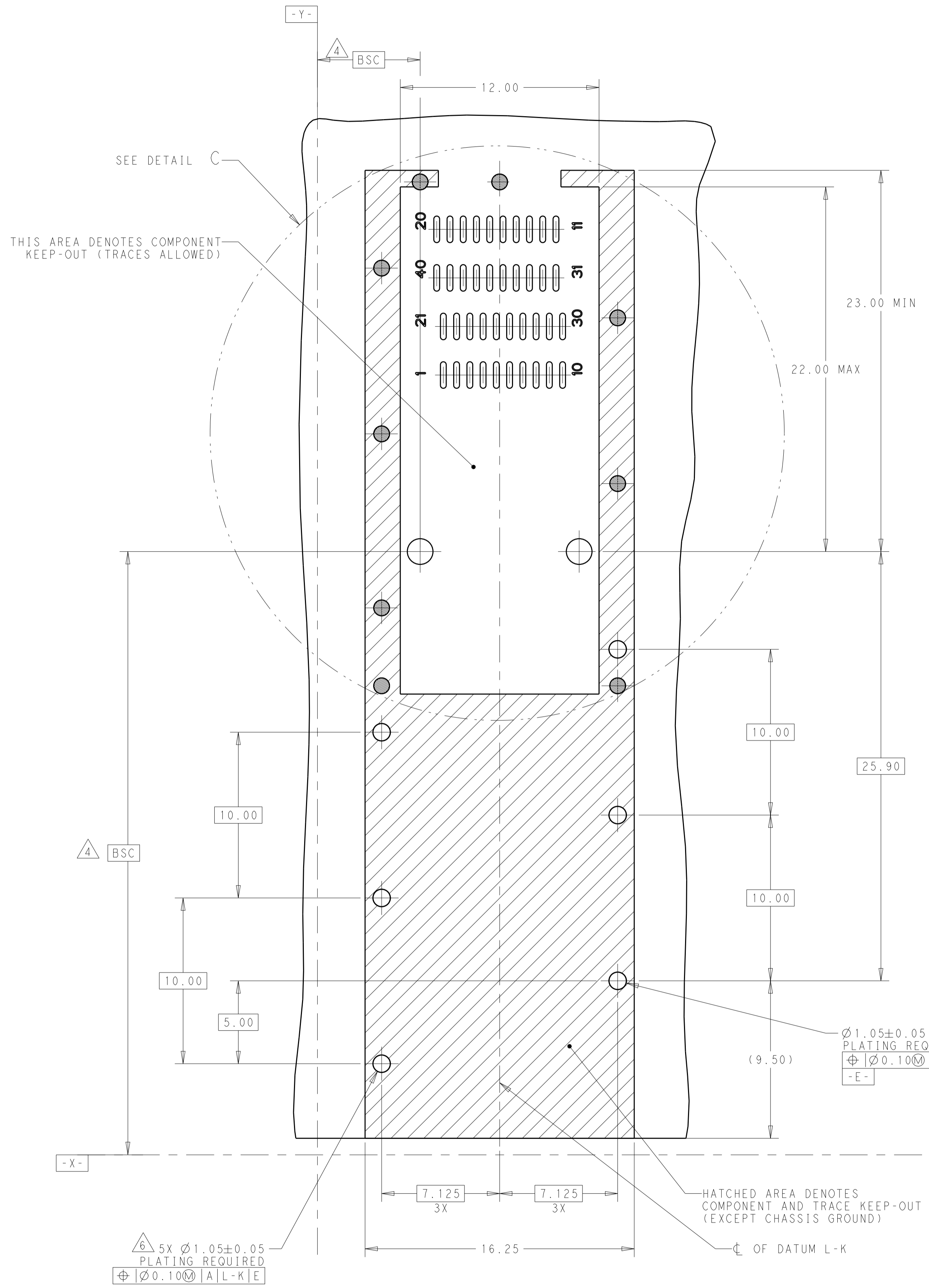
THIS DRAWING IS A CONTROLLED DOCUMENT.		DWN ARTHUR JLN 16 JUL 2019 CHK SEAN HAN 16 JUL 2019 APVD -	
DIMENSIONS: mm 	TOLERANCES UNLESS OTHERWISE SPECIFIED: 0 PLC ± 1 PLC ±0.25 2 PLC ±0.20 3 PLC ±0.10 4 PLC ± ANGLES ± FINISH	NAME CAGE ASSEMBLY, SFPDD 1X1 STANDARD, W/ GENERAL HS PRODUCT SPEC 108-60128 APPLICATION SPEC - SIZE CAGE CODE DRAWING NO 114-60027 WEIGHT - CUSTOMER DRAWING	

REVISIONS				
P.	LTR.	DESCRIPTION	DATE	APVD
		SEE SHEET 1		

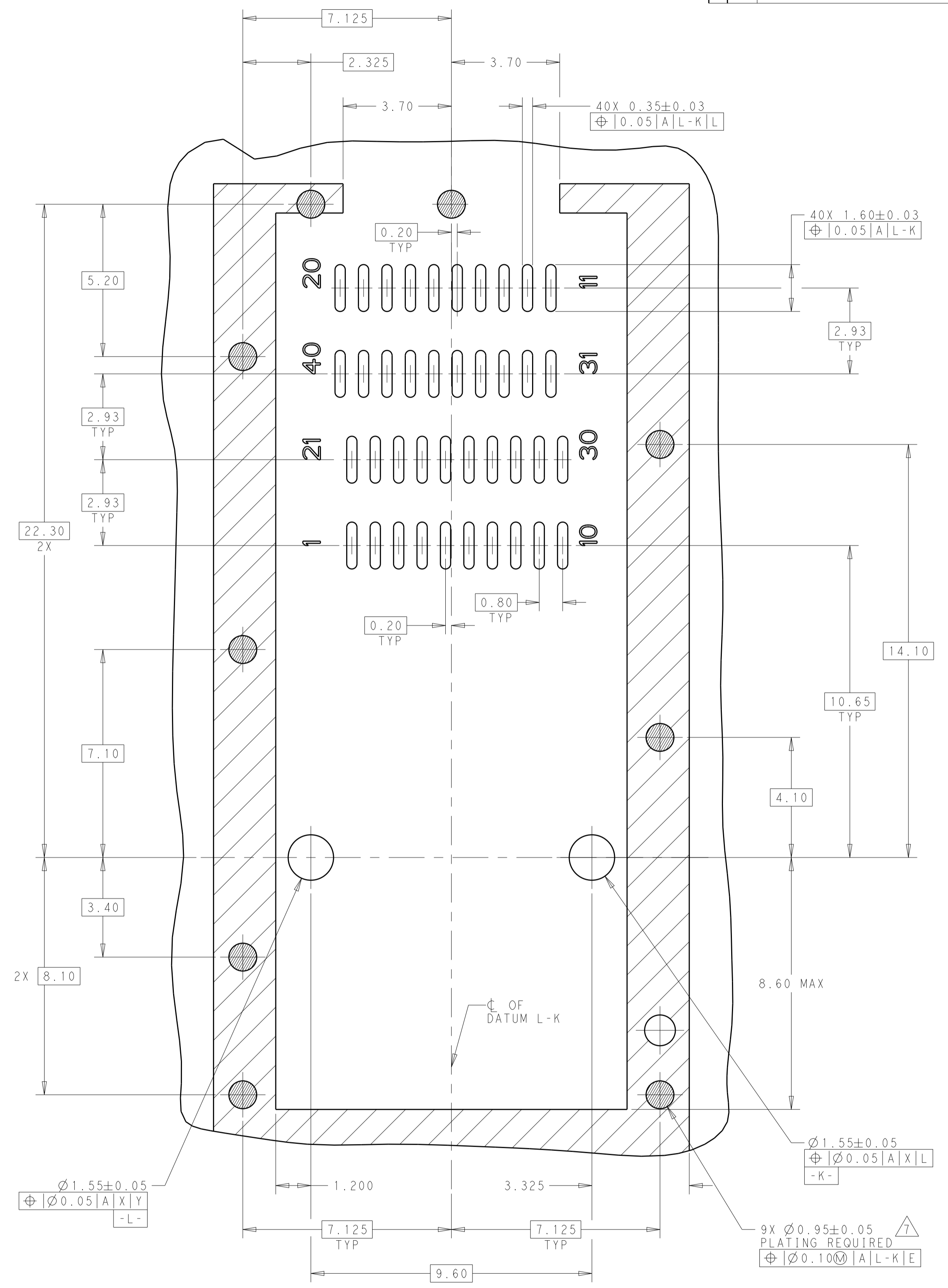


THIS DRAWING IS A CONTROLLED DOCUMENT.		OWN: ARTHUR JIN 16 JUL 2019	TE Connectivity
		CHK: SEAN HAN 16 JUL 2019	
DIMENSIONS:		APVD: -	NAME: CAGE ASSEMBLY, SFPDD 1X1 STANDARD, W/ GENERAL HS
mm	TOLERANCES UNLESS OTHERWISE SPECIFIED:	PRODUCT SPEC: 108-60128	SIZE: A
	0 PLC ±	APPLICATION SPEC: 114-60027	CAGE CODE: 2359845
	1 PLC ±0.25	WEIGHT: -	RESTRICTED TO: -
	2 PLC ±0.20	CUSTOMER DRAWING	SCALE: 3:1
	3 PLC ±0.10		SHEET 3 OF 5
	4 PLC ±		REV A
	ANGLES ±		
MATERIAL: -	FINISH: -		

REVISIONS				
P.	LTN.	DESCRIPTION	DATE	APPD.
		SEE SHEET 1		



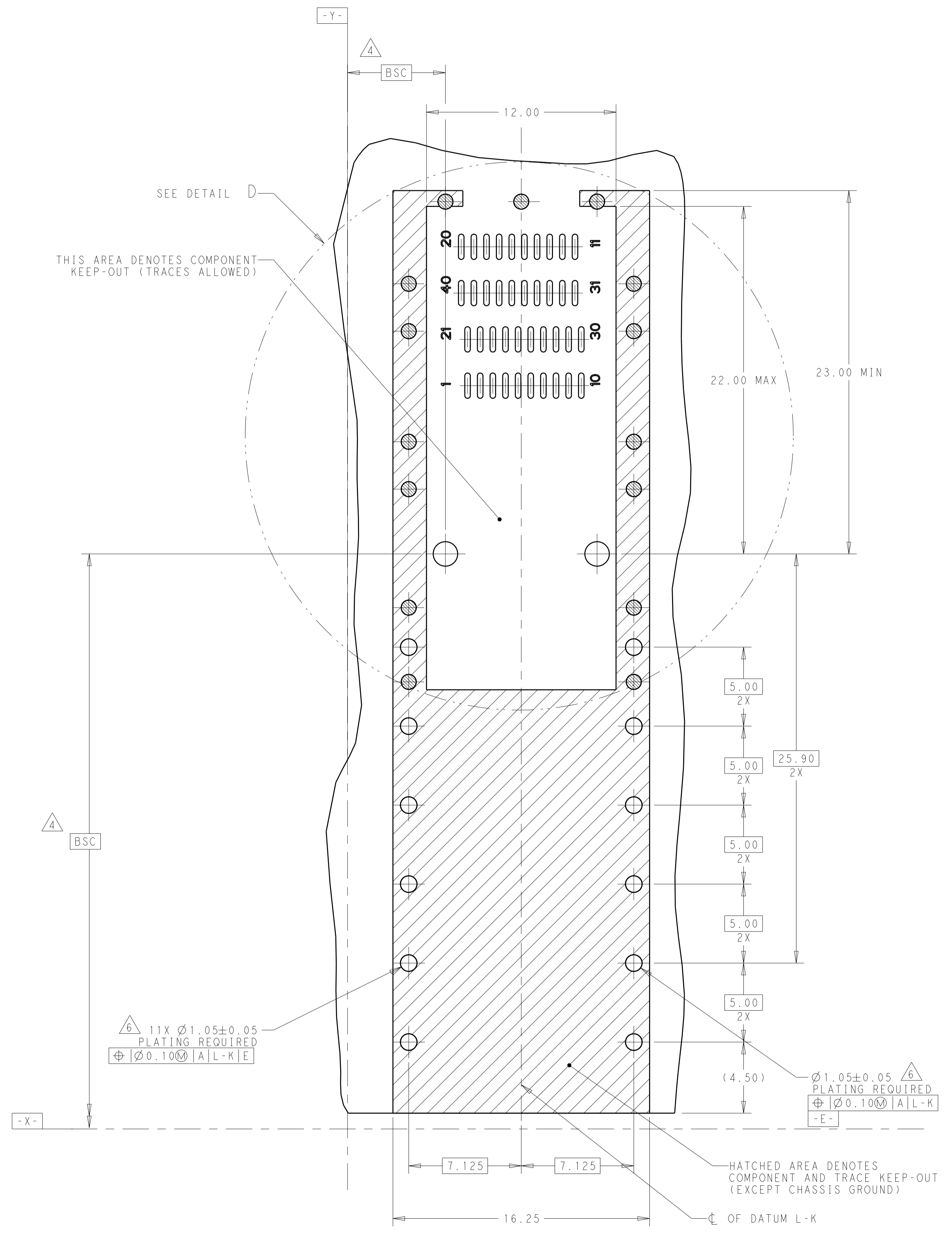
RECOMMENDED PCB LAYOUT  
SINGLE TYPE  
SCALE 6:1



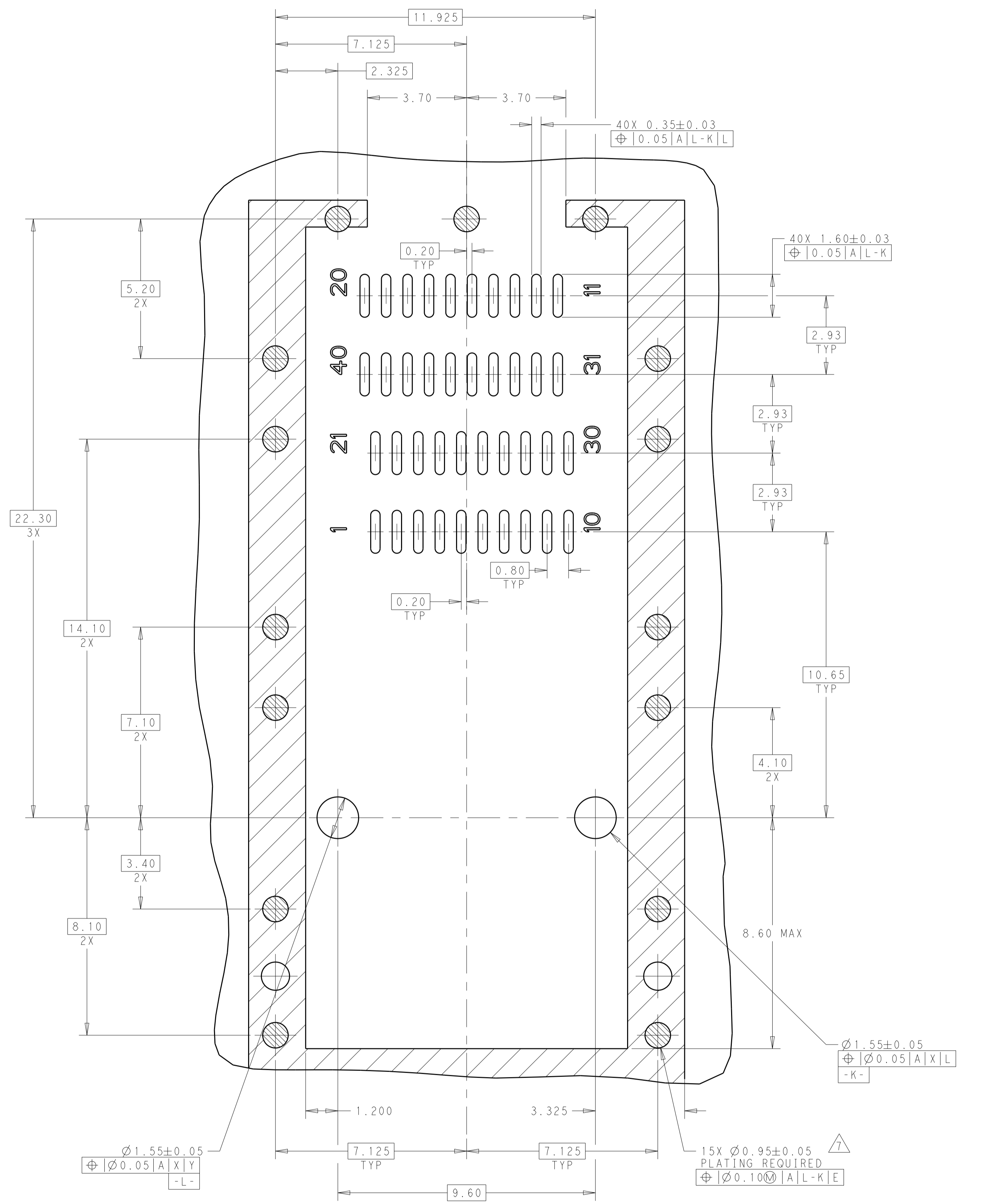
DETAIL C  
SCALE 10:1

THIS DRAWING IS A CONTROLLED DOCUMENT.		OWN: ARTHUR JIN 16 JUL 2019	 TE Connectivity
DIMENSIONS: mm		CHK: SEAN HAN 16 JUL 2019	
TOLERANCES UNLESS OTHERWISE SPECIFIED:		APVD:	NAME: CAGE ASSEMBLY, SFPDD 1X1 STANDARD, W/ GENERAL HS
0 PLC	±	PRODUCT SPEC	108-60128
1 PLC	±0.25	APPLICATION SPEC	114-60027
2 PLC	±0.20	WEIGHT	A100779C=2359845
3 PLC	±0.10	CUSTOMER DRAWING	SCALE 3:1 SHEET 4 OF 5 REV A
4 PLC	±		
ANGLES	±		
MATERIAL	FINISH		

REVISIONS				
P.	LTN.	DESCRIPTION	DATE	APPD.
		SEE SHEET 1		



RECOMMENDED PCB LAYOUT  
 BELLY TO BELLY  
 SCALE 6:1



DETAIL D  
 SCALE 10:1

THIS DRAWING IS A CONTROLLED DOCUMENT.		OWN: ARTHUR JIN 16 JUL 2019	TE Connectivity
DIMENSIONS: mm		CHK: SEAN HAN 16 JUL 2019	
TOLERANCES UNLESS OTHERWISE SPECIFIED:		APVD:	NAME: CAGE ASSEMBLY, SFPD 1X1 STANDARD, W/ GENERAL HS
0 PLC	±	PRODUCT SPEC	SIZE: CAGE CODE DRAWING NO
1 PLC	±0.25	108-60128	RESTRICTED TO
2 PLC	±0.20	APPLICATION SPEC	A100779C=2359845
3 PLC	±0.10	114-60027	SCALE 3:1 SHEET 5 OF 5 REV A
4 PLC	±	WEIGHT	
ANGLES	±	CUSTOMER DRAWING	
MATERIAL			
FINISH			