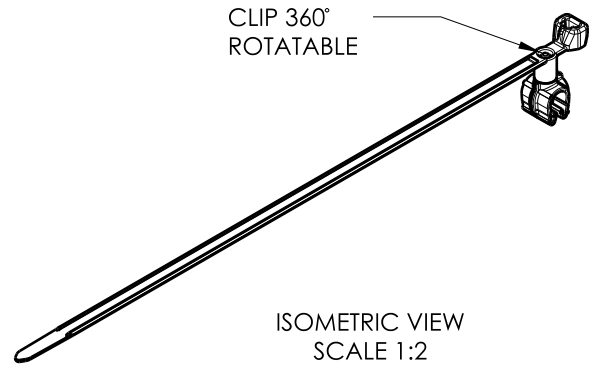
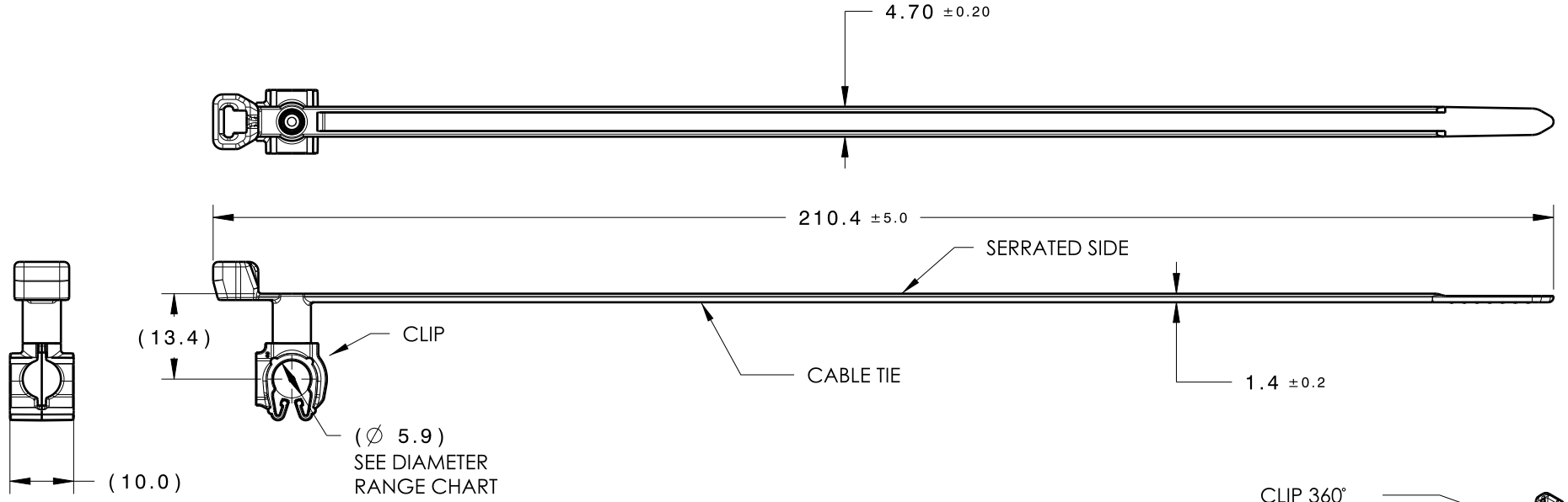


Revision Level			Revision Record	Changed	Date	Approved	Date
Drawing	State	Part					
00.2	Design Release	-	SEE ECN# 014549	TAT	7/31/18	EJH	7/31/18



TYPE	SUGGESTED DIAMETER RANGE*
HARNESS	5.5MM - 6.5MM
HOSE	5.5MM - 6.5MM
HARD PIPE/TUBE	6.0MM - 6.8MM

\*RECOMMENDED SIZES MAY DIFFER DEPENDING ON THE APPLICATION, PRODUCT REQUIREMENTS AND MATERIALS USED

\*\*PATENT PENDING 29/582,271

GLOBAL PART DESCRIPTION	BUNDLE RANGE	CABLE TIE			CLIP**		
		DRAWING	MATERIAL	COLOR	DRAWING	MATERIAL	COLOR
T50SMVCMOC6M180-PA66HIRHSUV-BK	2 TO 50	14-0606-012-CSU	PA66HIRHSUV	BLACK	16-0314-000-CSU	PA66HIRHSUV	BLACK

Material SEE CHART COLOR: SEE CHART	Units	millimeters	The copyright of this drawing is reserved by HellermannTyton. It is issued on condition that it is not reproduced, copied or disclosed to a third party, either wholly or in part, without the consent of HellermannTyton.	Drawn	CJR	7/23/18	Article/Type-No	T50SMVCMOC6M180		Scale	1:1
	Tolerance defined on each dimension	Approved		TAT	7/24/18	Title		T50SMVC CABLE TIE COUPLED TO 6MM MOC		Project Number	16-0314
		 North America Email: corp@htamericas.com Web: www.hellermann.tyton.com			Drawing-No		PRODUCTION : Phase		Format	AH	
							16-0314-306-CSU		Sheet	1/1	