

Connector - SACC-M12MRD-4CT-CM SH PN - 1422847

Please be informed that the data shown in this PDF Document is generated from our Online Catalog. Please find the complete data in the user's documentation. Our General Terms of Use for Downloads are valid (<http://phoenixcontact.com/download>)




Connector, PROFINET CAT5 (100 Mbps), 4-position, shielded, Plug angled M12, D-coded, Crimp connection, knurl material: Zinc die-cast, nickel-plated, external cable diameter 4.5 mm ... 7.5 mm, without crimp contacts

Your advantages

- ✓ Extremely compact, thanks to the small wiring space and high contact density
- ✓ Safe use in the field, thanks to a high degree of protection
- ✓ Safely shielded: reliable shield connection even under extreme mechanical strain
- ✓ Robust connection: suitable for railway applications with high shock and vibration loads
- ✓ Automated processing possible



Key Commercial Data

Packing unit	1 pc
GTIN	 4 055626 357744
GTIN	4055626357744

Technical data

Dimensions

Wrench size, union nut	15 mm
Diameter housing	16 mm
Length	52 mm
External cable diameter	4.5 mm ... 7.5 mm
Stripping length of the sheath	18 mm
Stripping length of the individual wire	4 mm +0,5 mm

Ambient conditions

Ambient temperature (operation)	-40 °C ... 85 °C (Plug / socket)
---------------------------------	----------------------------------

General

Note	This product corresponds to the PROFINET Cabling and Interconnection Technology Guideline for PROFINET regulations, version 2.00, order
------	-----------------------------------------------------------------------------------------------------------------------------------------

Connector - SACC-M12MRD-4CT-CM SH PN - 1422847

Technical data

General

	no: 2.252, Chapter 8.2 Connectors for Outside Environment (Balanced cabling)
	NOTE: Observe the permissible bending radii when laying conductors, since the degree of protection may be put in jeopardy if the bending forces are too high. Alleviate mechanical loads upstream of the connector, e.g. by using cable ties.
Rated current at 40°C	4 A
Rated voltage	48 V AC 60 V DC
Number of positions	4
Insulation resistance	≥ 100 MΩ
Coding	D - data
Standards/regulations	M12 connector IEC 61076-2-101 Shock, vibration EN 50155:2001
Signal type/category	PROFINET CAT5 (IEC 11801), 100 Mbps
Status display	No
Overvoltage category	II
Degree of pollution	3
Connection method	Crimp connection
Conductor cross section	0.14 mm² ... 1 mm² (flexible)
Conductor cross section AWG	26 ... 18 (flexible)
Wire diameter incl. insulation	≤ 2.55 mm
Insertion/withdrawal cycles	≥ 100
Torque	0.4 Nm (M12 knurl) 1.5 Nm (Screw plug insert with sleeve housing as far it will go) 4 Nm (Pressure nut with coupling sleeve)
Assembly instructions	The pin assignment can be rotated in a 30° pitch to the cable outlet

Material

Flammability rating according to UL 94	V0
Contact carrier material	PA 6.6
Material of grip body	Zinc die-cast, nickel-plated
Material, knurls	Zinc die-cast, nickel-plated
Sealing material	FKM
Standards/regulations	PA 6.6: Fire protection in rail vehicles - requirement sets R22, R23, R24, and R26 acc. to DIN EN 45545-2 (Risk level HL1 - HL3)

Standards and Regulations

Standard designation	M12 connector
Standards/regulations	IEC 61076-2-101
Standard designation	Shock, vibration
Standards/regulations	EN 50155:2001
Flammability rating according to UL 94	V0

Connector - SACC-M12MRD-4CT-CM SH PN - 1422847

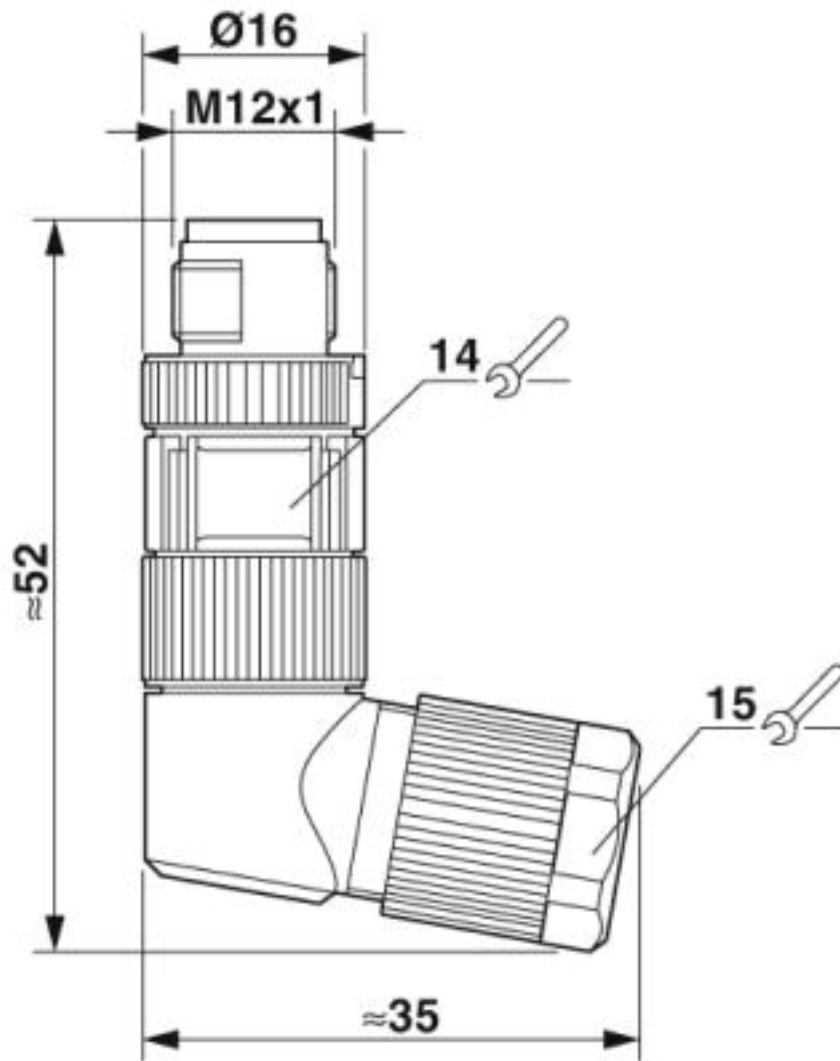
Technical data

Environmental Product Compliance

China RoHS	Environmentally friendly use period: unlimited = EFUP-e
	No hazardous substances above threshold values

Drawings

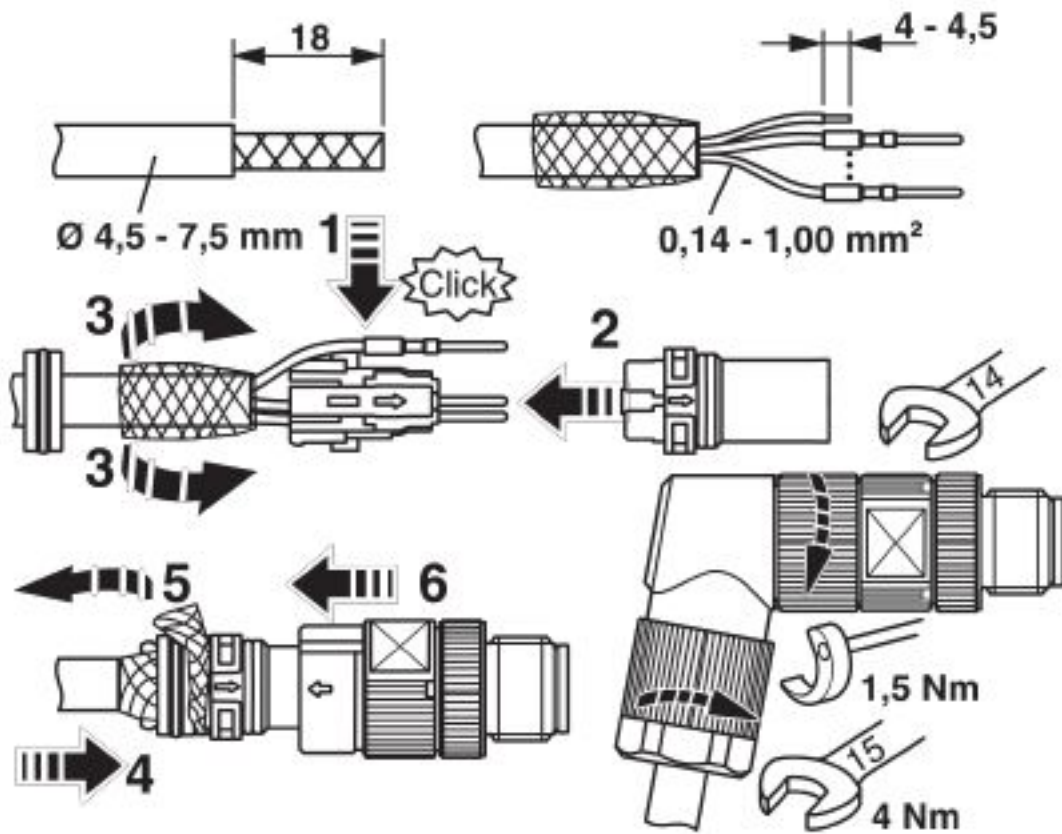
Dimensional drawing



M12 x 1 male plug, angled, shielded

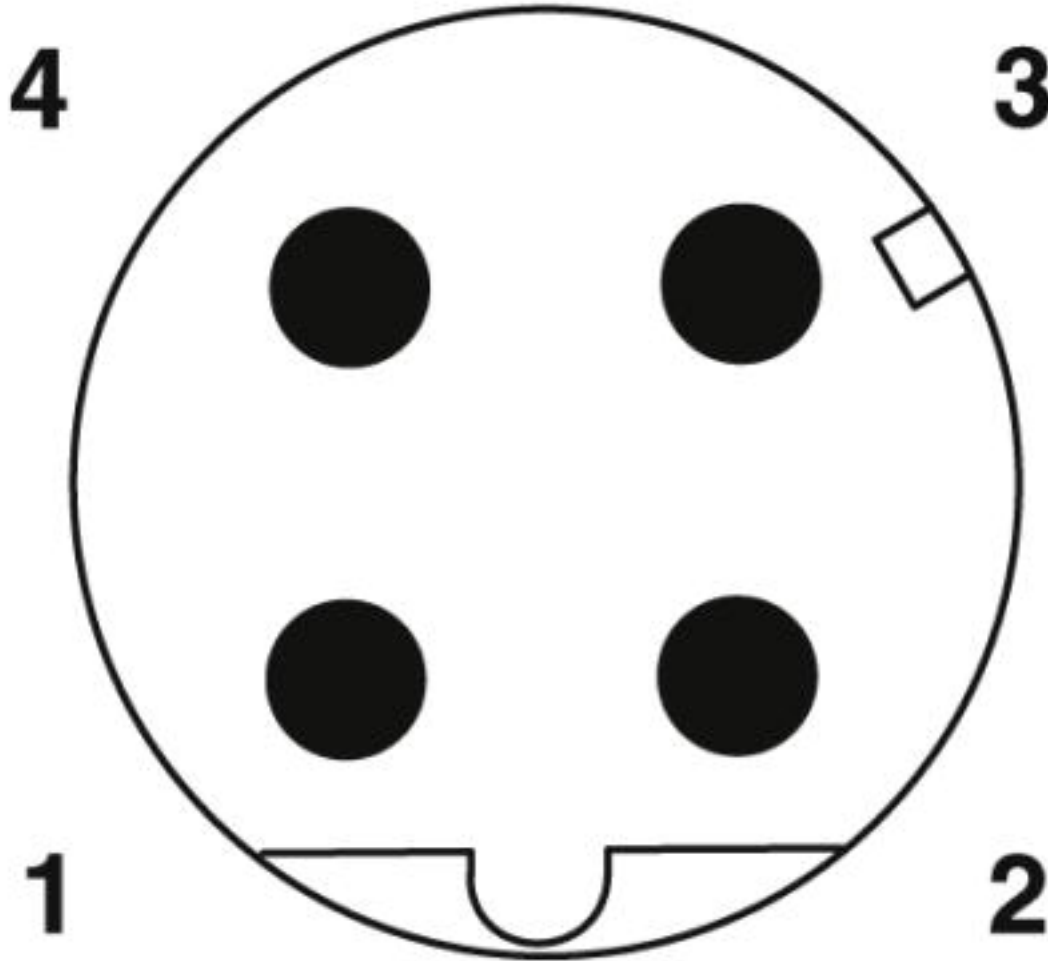
Connector - SACC-M12MRD-4CT-CM SH PN - 1422847

Functional drawing



Connector - SACC-M12MRD-4CT-CM SH PN - 1422847

Schematic diagram



Pin assignment M12 male connector, 4-pos., D-coded, male side

Approvals

Approvals

Approvals

EAC

Ex Approvals

Approval details

Connector - SACC-M12MRD-4CT-CM SH PN - 1422847

Approvals

EAC



EAC-Zulassung

Phoenix Contact 2019 © - all rights reserved
<http://www.phoenixcontact.com>

PHOENIX CONTACT GmbH & Co. KG
Flachsmarktstr. 8
32825 Blomberg
Germany
Tel. +49 5235 300
Fax +49 5235 3 41200
<http://www.phoenixcontact.com>