

## Power cable - SAC-2P- 1,0-547/MINFR - 1416455

Please be informed that the data shown in this PDF Document is generated from our Online Catalog. Please find the complete data in the user's documentation. Our General Terms of Use for Downloads are valid (<http://phoenixcontact.com/download>)

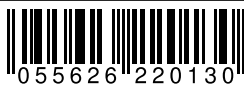


Power cable, 2-position, PVC, yellow, free cable end, A - standard, on Socket angled 7/8"-16UNF, cable length: 1 m

### Your advantages

- ✓ Easy and safe: 100% electrically tested plug-in components
- ✓ High-performance: connectors and cables with a large conductor cross section for power supply

### Key Commercial Data

Packing unit	1 pc
GTIN	 4 055626 220130
GTIN	4055626220130

### Technical data

#### Dimensions

Length of cable	1 m
-----------------	-----

#### Ambient conditions

Ambient temperature (operation)	-20 °C ... 105 °C (Plug / socket)
Degree of protection	IP68

#### General

Rated current at 40°C	13 A
Rated voltage	300 V AC 300 V DC
Number of positions	2
Color handle area	yellow
Insulation resistance	≥ 100 MΩ
Coding	A - standard
Status display	No

# Power cable - SAC-2P- 1,0-547/MINFR - 1416455

## Technical data

### General

Protective circuit/component	unwired
Insertion/withdrawal cycles	100
Torque	10 lb <sub>F</sub> -in.
	1.12 Nm

### Material

Contact material	CuZn
Contact surface material	AU
Contact carrier material	PVC
Material of grip body	PVC
Material, knurls	Anodized aluminum

### Cable

Cable type	ITC/PLTC
Cable abbreviation	547
AWG signal line	18
Conductor cross section signal conductor	2 x AWG 18
Conductor cross section voltage supply	41 x AWG 34
Wire colors	Black 1, blue 2, grey 3, brown 4, white 5
External sheath, color	yellow
External cable diameter	5.33 mm
Outer sheath, material	PVC
Conductor material	Bare Cu litz wires
Nominal voltage, cable	300 V
Flame resistance	UL 1581, FT4
Other resistance	UV resistant (720 h) UL 2556
Ambient temperature (operation)	-40 °C ... 105 °C (cable, fixed installation)
	-30 °C ... 105 °C (cable, flexible installation)

### Standards and Regulations

Flame resistance	UL 1581, FT4
Other resistance	UV resistant (720 h) UL 2556

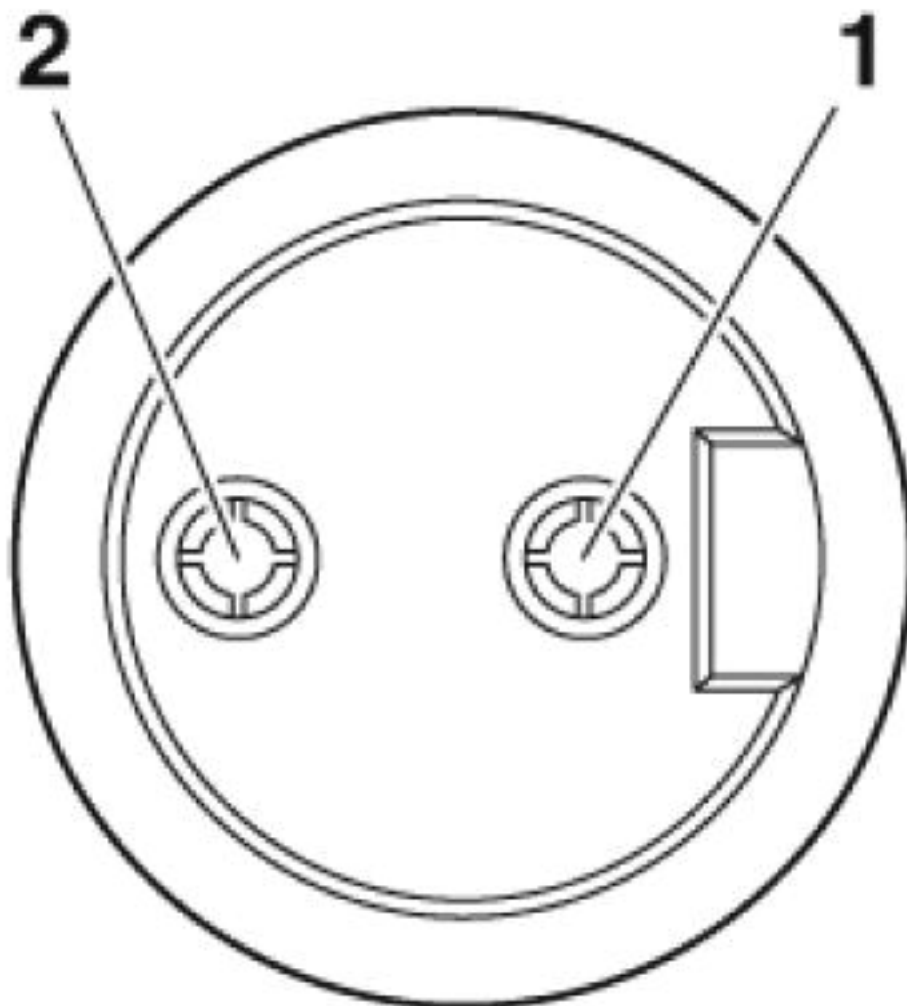
### Environmental Product Compliance

China RoHS	Environmentally Friendly Use Period = 50
	For details about hazardous substances go to tab "Downloads", Category "Manufacturer's declaration"

### Drawings

## Power cable - SAC-2P- 1,0-547/MINFR - 1416455

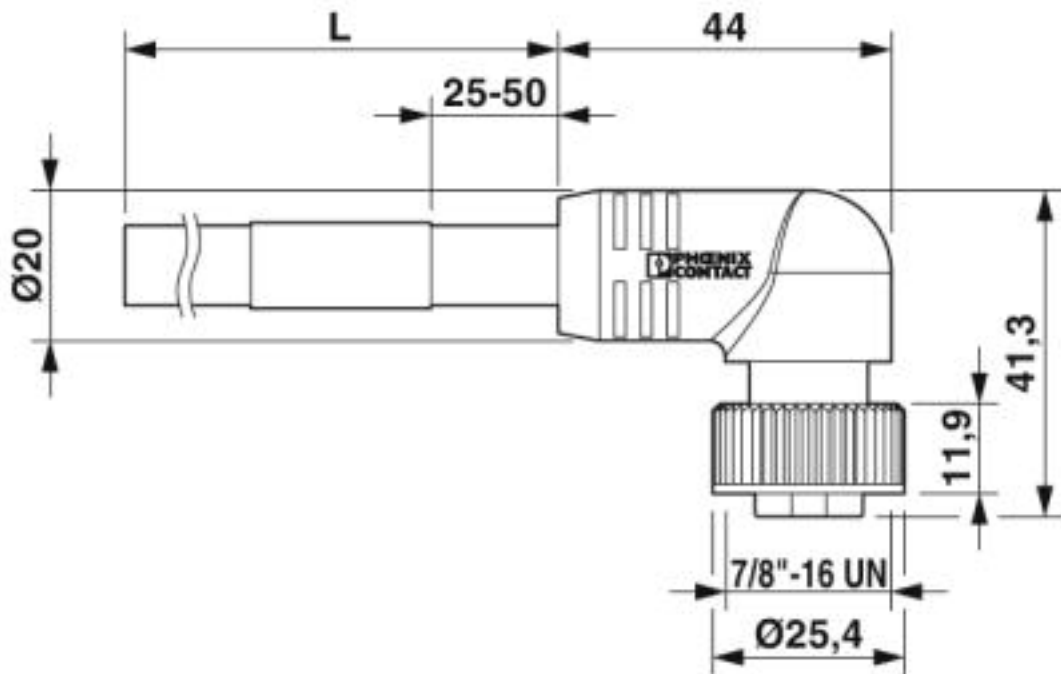
Schematic diagram



Pin assignment, socket, 7/8"-16UNF, 2-pos., view of female side

# Power cable - SAC-2P- 1,0-547/MINFR - 1416455

Dimensional drawing



7/8"-16UNF socket, angled

Circuit diagram



Contact assignment of 7/8" socket

Phoenix Contact 2019 © - all rights reserved  
<http://www.phoenixcontact.com>

PHOENIX CONTACT GmbH & Co. KG  
Flachsmarktstr. 8  
32825 Blomberg  
Germany  
Tel. +49 5235 300  
Fax +49 5235 3 41200  
<http://www.phoenixcontact.com>