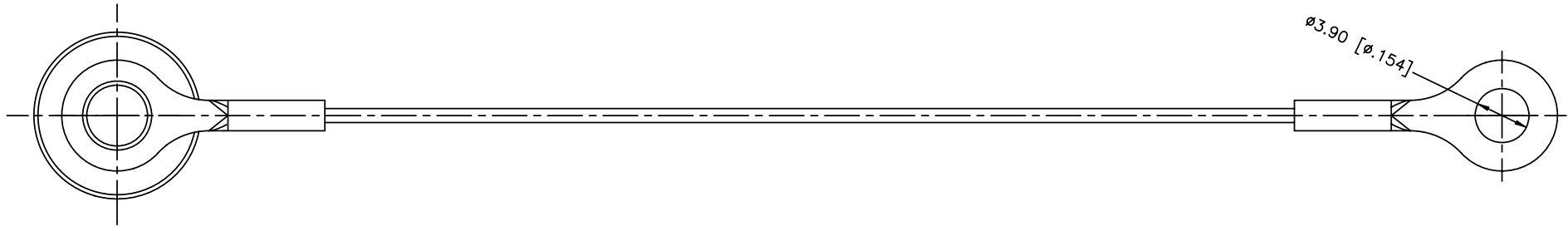
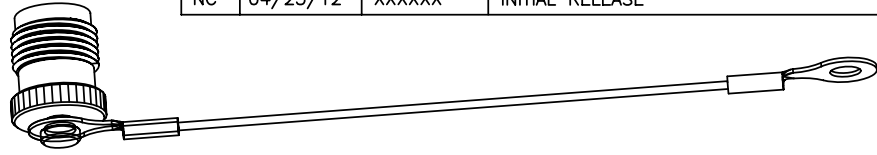
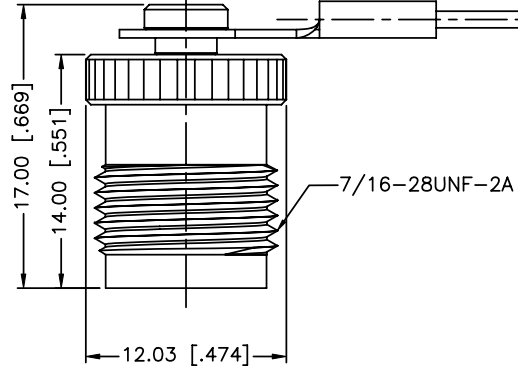


| REV. | DATE | ECR NO. | DESCRIPTION |
|------|----------|---------|-----------------|
| NC | 04/25/12 | XXXXXX | INITIAL RELEASE |



ø3.90 [ø.154]

100.00 [3.937] REF



NOTES:
1. TEMPERATURE RANGE: -65°C TO +165°C

UNLESS OTHERWISE SPECIFIED DIMENSIONS ARE IN MILLIMETERS. DIMENSIONS IN [] ARE IN INCHES AND FOR CUSTOMER REFERENCE ONLY.

UNLESS OTHERWISE SPECIFIED TOLERANCES FOR MILLIMETERS ARE:
0.5 - 8mm ± 0.20mm
8 - 30mm ± 0.40mm
30 - 120mm ± 0.50mm

UNLESS OTHERWISE SPECIFIED TOLERANCES FOR INCHES ARE:
.020 - .315 = ± 0.007"
.315 - 1.180 = ± 0.015"
1.180 - 4.724 = ± 0.020"

DO NOT SCALE DRAWING

| APPROVALS | | DATE |
|-----------|-------------------------|----------|
| DRAWN | I.XU | 04/25/12 |
| CHECKED | | |
| ISSUED | | |
| SHEET | 1 OF 1 | |
| CAD FILE | C:/CONNEX/122486-10.DWG | |

| | | | |
|---|----------------|-------|----|
| Amphenol Connex | | | |
| PART DESCRIPTION TNC FEMALE CAP WITH WIRE CHAIN | | | |
| PART NO. 122486-10 | | | |
| DWG. NO. | 122486-10 .DWG | REV. | NC |
| SIZE | A | SCALE | NA |

| QTY | FINISH | MATERIAL | DESCRIPTION |
|-----|------------|-----------------|-------------|
| 1 | NICKEL | BRASS | BODY |
| 1 | NICKEL | BRASS | RIVET |
| 3 | PASSIVATED | STAINLESS STEEL | CHAIN |