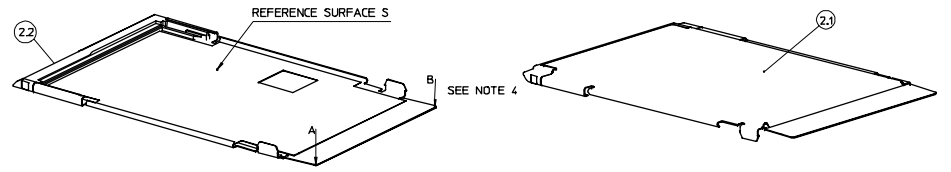
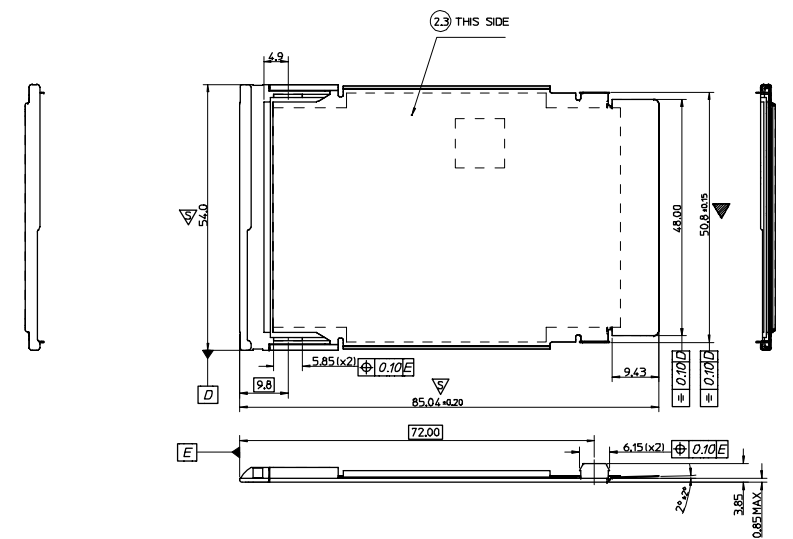


UPPER COVER ASSEMBLY (INSULATION SHEET VISIBLE IN BROKEN LINE)

KIT NO.	SUB ASSEMBLY PART NO.	DESCRIPTION	ITEM	COMPONENTS	DESCRIPTION	ASSY. ITEM
91358-0001 (91358-0002 WITH WINDOW)	91386-0001 (91386-0004 WITH WINDOW)	UPPER COVER	1	UPPER METAL COVER	0.2 THICK STAINLESS STEEL	1.1
				PLASTIC FLAP	PC/ABS, COLOUR GREY	1.2
				INSULATION	ADHESIVE TAPE	1.3
	91387-0006	LOWER COVER	2	LOWER METAL COVER WITH BARBS	0.2 THICK STAINLESS STEEL	2.1
				FRONT MOULD	PC/ABS, COLOUR GREY	2.2
				INSULATION	ADHESIVE TAPE	2.3

NOTES:

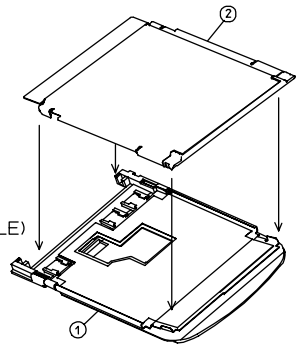
- SEE APPLICATION SPECIFICATION AS-91358-021 FOR ASSEMBLY INSTRUCTIONS AND ACCESSORY PART NUMBERS.
- SEE PRODUCT SPECIFICATION PS-91358-020 FOR PRODUCT PERFORMANCE.
- PARTS PACKED IN TRAYS.
- HEIGHT DIFFERENCE BETWEEN POINT A AND B 0.20MM MAX. ▼



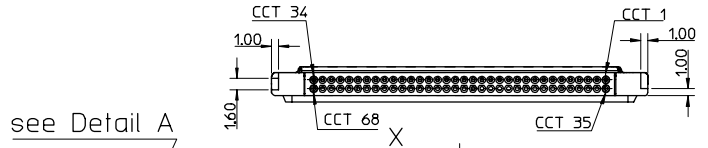
LOWER COVER ASSEMBLY

(INSULATION SHEET VISIBLE IN BROKEN LINE)

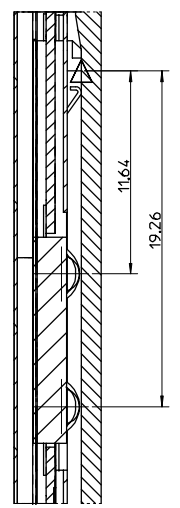
ASSEMBLY DIRECTION  
(PCB ASSEMBLY NOT VISIBLE)



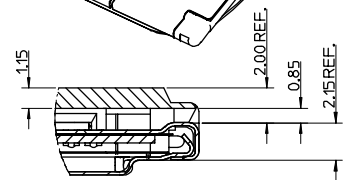
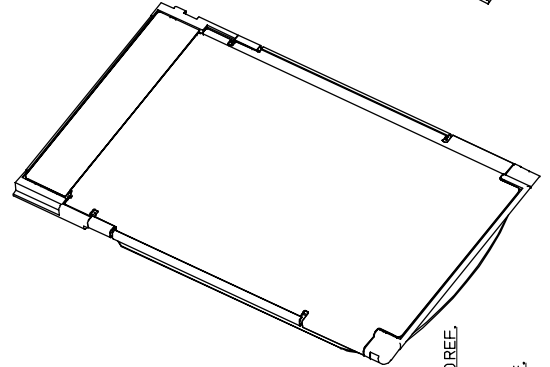
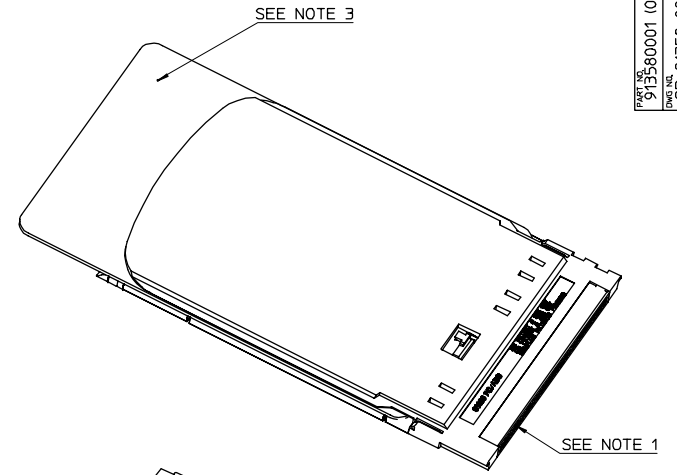
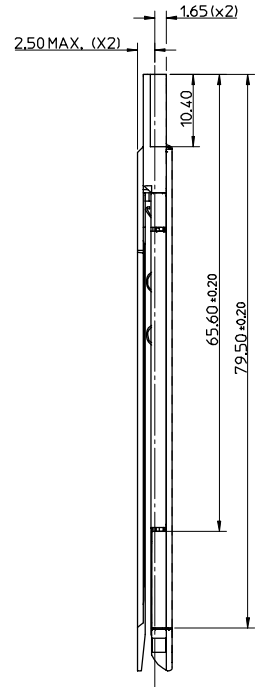
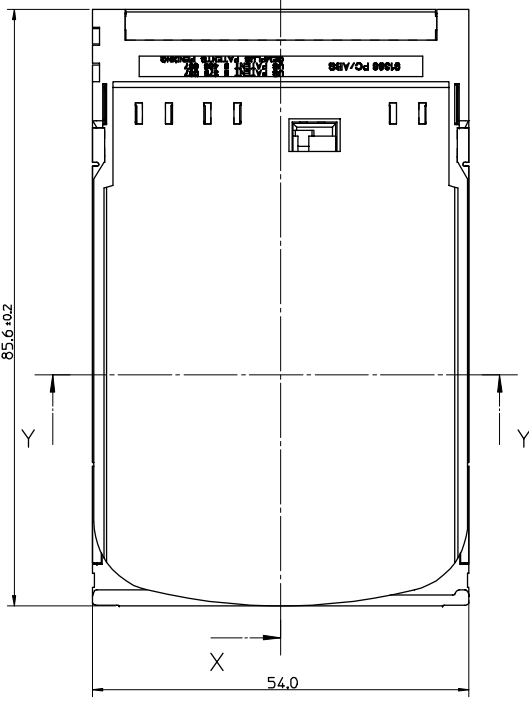
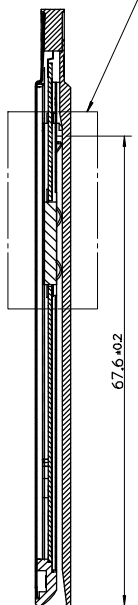
VARIOUS MOODS EC NO. E2003-0510 DRWN: FDUGGAN 02/11/14 CHK: --- APPR: ---	QUALITY SYMBOLS	GENERAL TOLERANCES: (UNLESS SPECIFIED)	DESIGN UNITS	THIRD ANGLE PROJECTION	DIMENSIONS:	SHT	REV	
	MAJOR	mm INCH	2d1	mm INCH	mm INCH mm INCH	mm INCH	mm INCH	
	CRITICAL	mm INCH	mm INCH	mm INCH	mm INCH	mm INCH	mm INCH	
	MINOR	mm INCH	mm INCH	mm INCH	mm INCH	mm INCH	mm INCH	
REV	DESCRIPTION	4 PLACES	DRAWN BY & DATE	TITLE:	SDM KIT			
		3 PLACES	fduggan 2003/01/28					
		2 PLACES	CHECKED BY & DATE					
		1 PLACE	P.WHITE 7/7/99					
			APPROVED BY & DATE					
			M.WILHITE 7/7/99					
			CAD FILENAME					
			MATERIAL NO.					
			SEE CHART					
			DRAWING NO.					
			SD-91358-002					
			SHEET NO.					
			1 of 2					
			SIZE					
			D					
			THIS DRAWING CONTAINS INFORMATION THAT IS PROPRIETARY TO MOLEX INCORPORATED AND SHOULD NOT BE USED WITHOUT WRITTEN PERMISSION.					



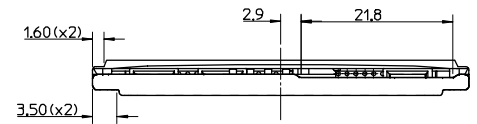
see Detail A



Detail A  
Scale 5:1



Detail B  
SNAPPING FEATURE  
Scale 5:1



see Detail B

NOTES:

1. SEE APPLICATION SPECIFICATION AS-91358-021 FOR ASSEMBLY INSTRUCTIONS AND ACCESSORY PART NUMBERS.
2. SEE PRODUCT SPECIFICATION PS-91358-020 FOR PRODUCT PERFORMANCE.
3. CARD PROTRUDES 18mm OUT OF UNIT

SEE SHEET 1	QUALITY SYMBOLS	GENERAL TOLERANCES: (UNLESS SPECIFIED)		SCALE	DESIGN UNITS	DIMENSIONS:		SHT	REV
		mm	INCH	2:1	<input checked="" type="checkbox"/> mm <input type="checkbox"/> INCH	<input type="checkbox"/> mm <input type="checkbox"/> INCH	<input checked="" type="checkbox"/> mm ONLY		
EC NO. DRWN: FDUGGAN 02/11/14 CHK: APPR:	MAJOR	4 PLACES	---	---	DRAWN BY & DATE		TITLE: SDM KIT (FULLY ASSEMBLED)		
	CRITICAL	3 PLACES	---	---	fduggan 2003/01/28				
REV	DESCRIPTION	2 PLACES	±0.05	---	CHECKED BY & DATE		MATERIAL NO. DRAWING NO. SHEET NO. SEE CHART SD-91358-002 2 of 2		
		1 PLACE	±0.10	---	P.WHITE 7/7/99				
LL		ANGULAR: ± 1°		APPROVED BY & DATE		MOLEX INCORPORATED			
		DRAFT WHERE APPLICABLE MUST REMAIN WITHIN DIMENSIONS		M.WILHITE 7/7/99					
				CAD FILENAME		THIS DRAWING CONTAINS INFORMATION THAT IS PROPRIETARY TO MOLEX INCORPORATED AND SHOULD NOT BE USED WITHOUT WRITTEN PERMISSION.			