

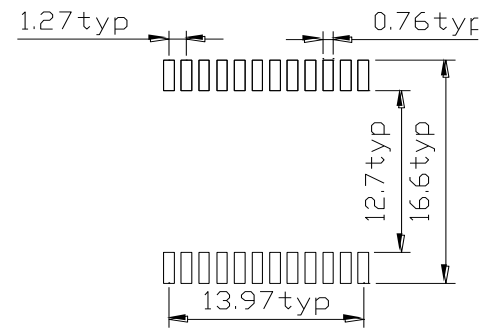
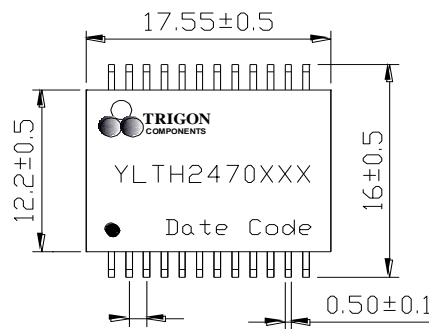
YLTH2470 Series

2.5/5G Base-T SMD Single Port Magnetics Modules

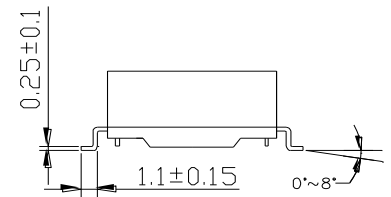
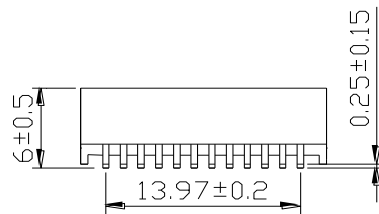
TRIGON
COMPONENTS



Mechanical Dimensions



SUGGESTED PAD LAYOUT:



FEATURES

- Surface Mount
- Cost Effective
- Optimum Performance
- Industrial Standard Foot Print
- Optional Pin-Outs
- Cable Interface for Isolation
- Low Common Mode Emissions
- RoHS Compliant
- Meets IEEE 802.3 standard
- High performance for EMI Suppression

APPLICATIONS

- Designed for Ethernet 2.5/5G Base-T, Full Single Port Applications
- 5G CPE
- WIFI5/6
- Access points, NIC Cards
- High Speed Routers, Switches
- HD display
- Industrial/HD Camera

ORDERING CODE

YLT H 2470XXX T

(1) (2) (3) (4)

- (1) LAN Transformer
- (2) High speed transformer over 1 gigabit
- (3) Series code
- (4) Package
T= Tape & Reel

IC Manufactures Reference Application:

Marvell:
-88E2010, 88E2018, 88E2110

Broadcom:
-BCM54991, BCM63153, BCM63158, BCM84880

Aquantia:
-AQR108, AQR408

YLTH2470 Series

2.5/5G Base-T SMD Single Port Magnetics Modules

TRIGON
COMPONENTS

Electrical Specifications @ 25°C, Operating Temperature 0°C~70°C

Part Number	OCL (uH Min)	Insertion Loss (dB Max)	Return Loss (dB Max)	Return Loss (dB Max)	Cross Talk (dB Typ)	CMRR (dB Typ)	PoE Rating	Hipot (Vrms)
	100KHz, 1Vrms	1-100MHz / 100-250MHz	1-40MHz	40-250MHz *Z Out=100 OHM±1%	1-250MHz	1-250MHz	Watt	For 1 Minute
YLTH24701T	200@8mA	-1.0 / 2.0	-16	-16+10log(f/40)	-30	-30	NON-PoE	1500
YLTH24702T	200@8mA	-1.0 / 2.0	-16	-16+10log(f/40)	-30	-30	4PPoE-30W	1500
YLTH24702-1PT	200@14mA	-1.0 / 2.0	-16	-16+10log(f/40)	-30	-30	4PPoE-75W	1500
YLTH24706T	200@8mA	-1.0 / 2.0	-16	-16+10log(f/40)	-30	-30	4PPoE-30W	1500
YLTH24706-1PT	200@14mA	-1.0 / 2.0	-16	-16+10log(f/40)	-30	-30	4PPoE-75W	1500
YLTH24707T	200@8mA	-1.0 / 2.0	-16	-16+10log(f/40)	-30	-30	4PPoE-30W	1500

*These Transformers with Operating Temperature At -40°C~+85°C are Available Upon Request.

*Every single component is 100% tested, not just batch tested

*ISO 9001:2008 certified, RoHS compliant, REACH Compliant

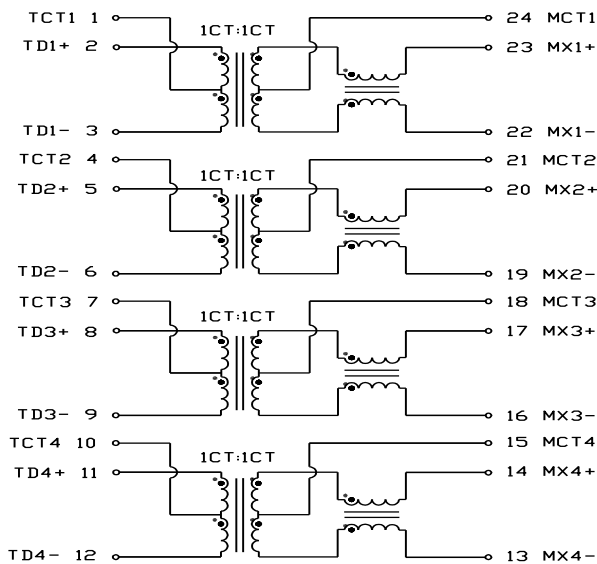
YLTH2470 Series

2.5/5G Base-T SMD Single Port Magnetics Modules

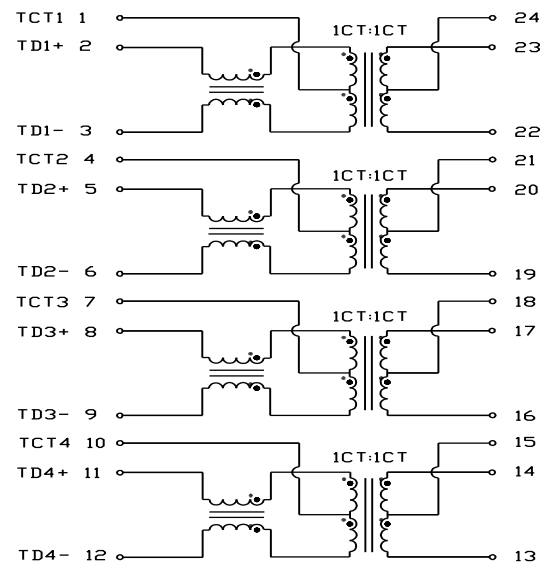
TRIGON
COMPONENTS

Schematic

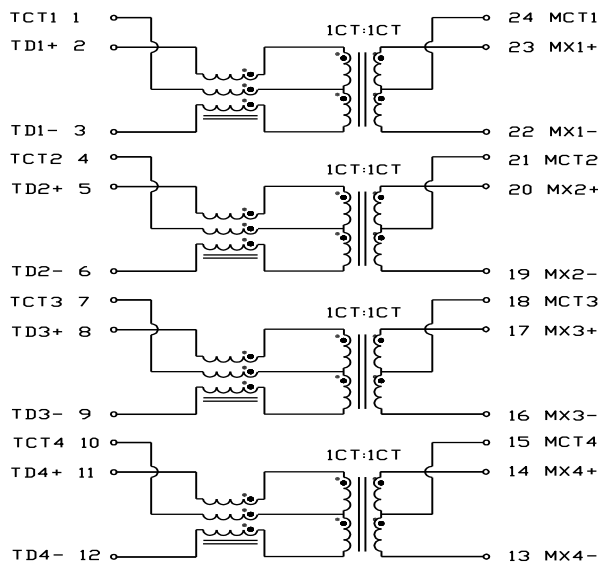
YLTH24701T



YLTH24702T / YLTH24702-1



YLTH24706T / YLTH2406-1PT



YLTH24707T

