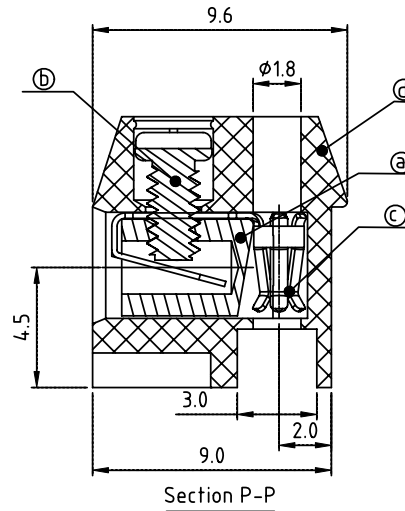
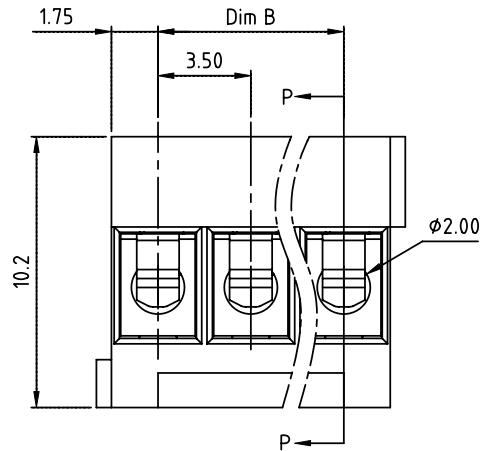
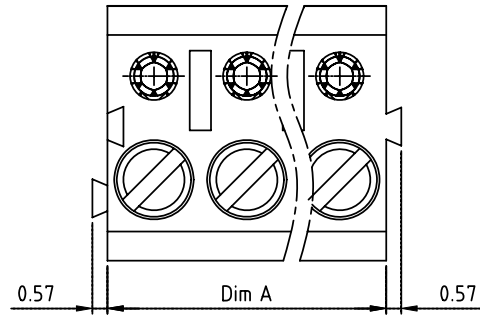


PRODUCT NUMBER	PITCH
THxx21x100J0G	3.50 mm



Material

- Item (a) Clamp: Brass(CuZn) Ni plated
- Item (b) Terminal screw: Steel Zinc plating "-" slot type
- Item (c) Female contact :PhBz (CuSn) Tin plated
- Item (d) Terminal housing : Thermoplastic (UL94V-0)

Electrical cULus

- Voltage rating: 300V
- Current rating: 10A
- Wire range:
  - Solid wire(AWG): 16-28
  - Stranded wire(AWG): 16-28
- Torque: 1.7Lb-In
- Screw: M2
- Wire strip length: 5-6mm
- Withstanding Voltage: 1.6KV
- Operating temperature: -40°C to +115°C
- Safety approval: cULus

PART NO.: TH xx 21 x 1 00J0 G

N = Number of poles  
Dim A=Nx3.5  
Dim B=(N-1)x3.5

poles	Dim A	Dim B
4-6p	±0.20	±0.15
7-12p	±0.25	±0.20
13-24p	±0.30	±0.25

Solid block	No. of poles	Body Color	RoHS compliant
0	2	Black (RAL9005)	(lead<4%)
04	4 poles	Red (RAL3001/D)	In copper Alloy
05	5 poles	Orange(RAL2011/P)	
...	...	4 Yellow(RAL1018/A)	
...	...	5 Green(RAL6018/T)	
24	24 poles	6 Blue (RAL5015/A)	
		8 Grey(RAL7035/D)	
		9 White(RAL1102)	
		C Green(RAL6018/U)	

mat'l. code		surface ASME Y14.5 ✓	tolerance ASME Y14.5	projection ⊕	product family TERMINAL BLOCK
ltr	ecn no	dr	date	tolerances unless otherwise specified	title TERMINAL BLOCK
				angles ⊕	scale PLUGGABLE,180D WIRE INLET,SOLID BLOCK
				X*±1"	dwg no THxx21x100J0G
				dr EVIN ZHONG 041614	sheet 1 of 1 size A4
				enrg EVIN ZHONG 041614	type CUSTOMER Drawing
				chr HANKE FENG 041614	
				appd SHI JUN 041614	
sheet index	revision sheet	A	1		