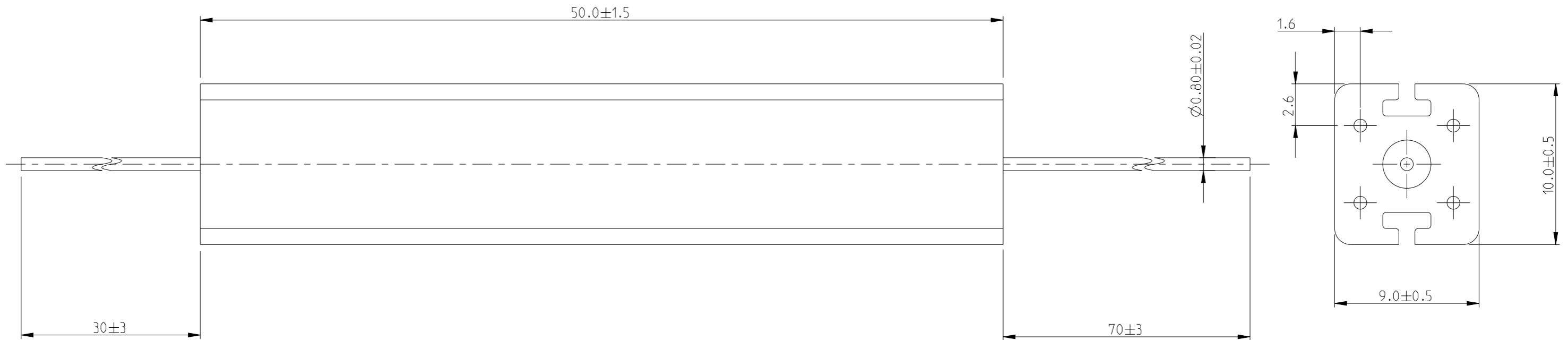


REVISIONS

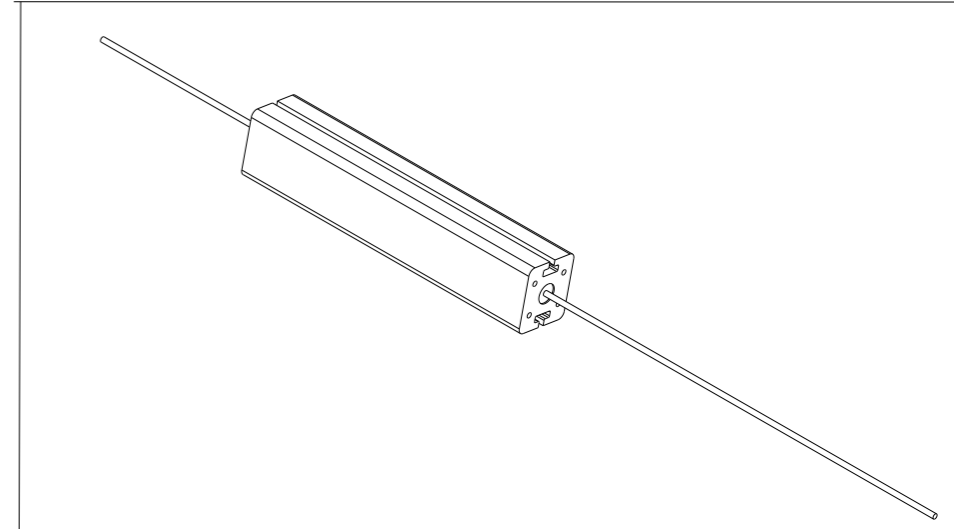
P	LTR	DESCRIPTION	DATE	DWN	APVD
	BA1	ECR-17-011125	01AUG2017	RK	TN
	BA2	CLARIFICATION NOTE ADDED	18APR2022	DM	AP



NOTES

- FOR FURTHER INFORMATION SEE DATA SHEET FOR SERIES TYPE SBC(SQUARE CERAMIC), HIGH POWER RESISTORS
- THE HOLES AND FLUTES SHOWN IN THE CERAMIC CASING ARE PURELY FOR MOUNTING PURPOSES AND DO NOT IN ANY WAY AFFECT THE DISSIPATION CAPABILITIES OF THE RESISTOR. THEY CAN OFTEN BECOME BLOCKED DURING THE MANUFACTURING PROCESS. THIS WILL NOT AFFECT THE PERFORMANCE IN ANY WAY.

RoHS Compliant



THIS DRAWING IS A CONTROLLED DOCUMENT.		DWN 28 JULY 2010 PARUSURAM.I			
		CHK 28 JULY 2010 STEPHEN.P			
DIMENSIONS: mm		APVD 28 JULY 2010 STEPHEN.P	NAME HIGH POWER RESISTOR TYPE SBC (SQUARE CERAMIC) SERIES SBCHE11		
		PRODUCT SPEC -	RESTRICTED TO -		
TOLERANCES UNLESS OTHERWISE SPECIFIED:		APPLICATION SPEC -	SIZE A3	CAGE CODE 00779	DRAWING NO C-1623728
MATERIAL -		FINISH -	WEIGHT 10g	SCALE 4:1	
			SHEET 1 OF 1		REV BA2
			CUSTOMER DRAWING		