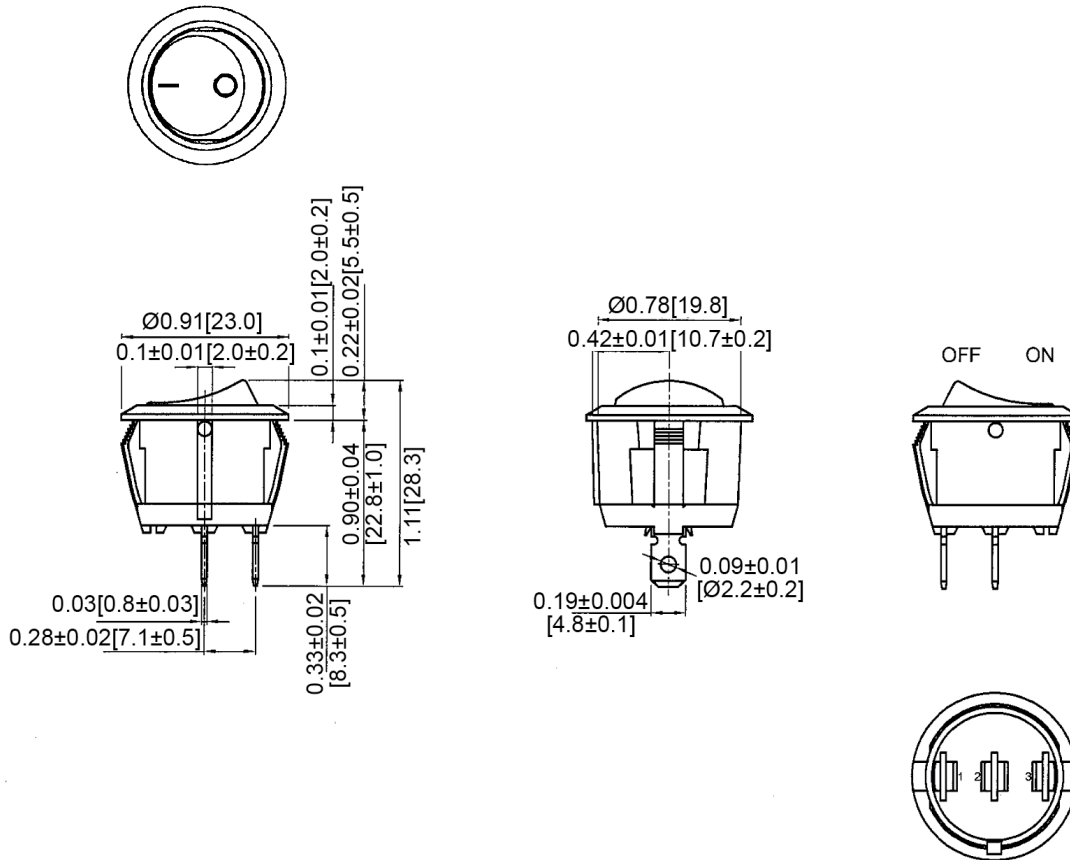
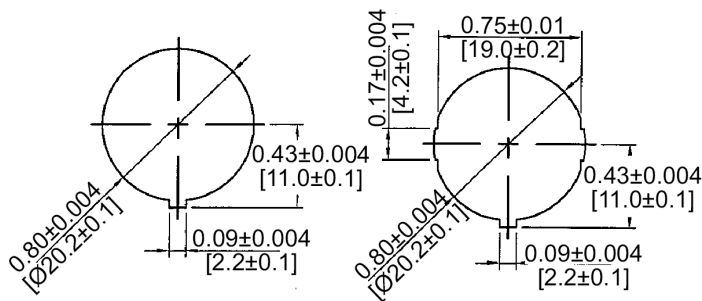


Mechanical Dimensions: Inches [mm]

Tolerances ± 0.012 [0.3] Unless Otherwise Specified



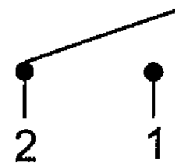
Mounting Hole



Thickness: $0.1 \sim 0.12$ [2.0 ~ 3.0] | $0.03 \sim 0.12$ [0.7 ~ 3.0]

Circuit Diagram

2P SPST OFF-ON



Electrical Specifications

Rating 10(4)A 125/250V AC, 10A 125V AC 6A 250V AC 10(4)A 250V AC | 16A 125V AC, 10A 250V AC

Contact Resistance 50m ohm Max

Insulation Resistance DC 500V 100M ohm Min

Dielectric Strength AC 1500V 1 minute

Operation Temperature $-25^{\circ}\text{C} \sim 85^{\circ}\text{C}$

Material Specifications

Frame Black, Nylon 66 (94-V2)

Actuator Black, Nylon 66 (94-V2)

Terminals Silver Plated, Copper Alloy

Hot Stamping White, 0-

Rev	Date of issue	Revision Notes	Designed	Approved
B	06-08-2021	Initial Drawing	RC	OF