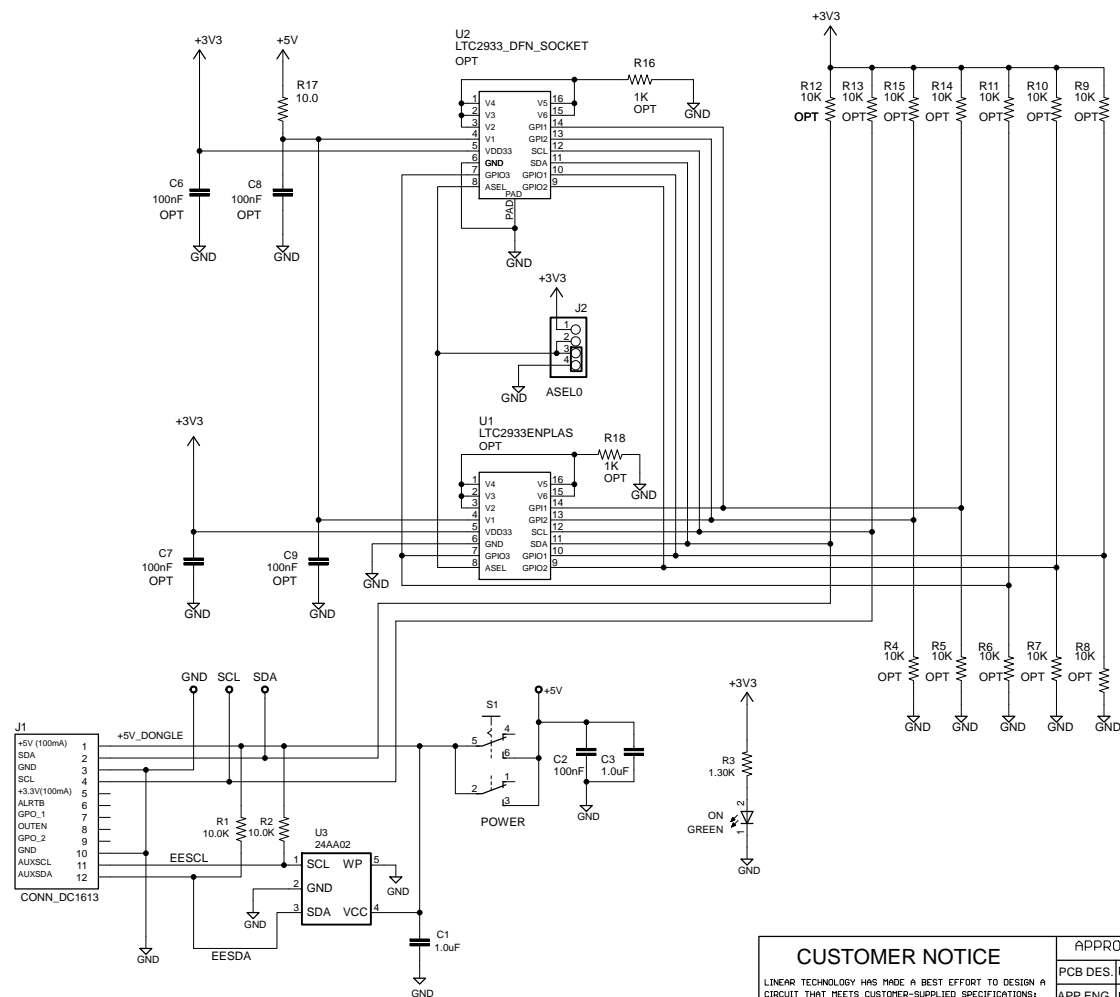


NOTES: UNLESS OTHERWISE SPECIFIED:

1. ALL RESISTORS ARE 1% 0603.
2. ALL CAPACITORS ARE 16V 0603

REVISION HISTORY			
ECO	REV	DESCRIPTION	DATE
-	-	-	XX-XX-XX



**CUSTOMER NOTICE**

LINEAR TECHNOLOGY HAS MADE A BEST EFFORT TO DESIGN A CIRCUIT THAT MEETS CUSTOMER-SUPPLIED SPECIFICATIONS; HOWEVER, IT REMAINS THE CUSTOMER'S RESPONSIBILITY TO VERIFY PROPER AND RELIABLE OPERATION IN THE ACTUAL APPLICATION. COMPONENT SUBSTITUTION AND PRINTED CIRCUIT BOARD LAYOUT MAY SIGNIFICANTLY AFFECT CIRCUIT PERFORMANCE OR RELIABILITY. CONTACT LINEAR TECHNOLOGY APPLICATIONS ENGINEERING FOR ASSISTANCE.

THIS CIRCUIT IS PROPRIETARY TO LINEAR TECHNOLOGY AND SUPPLIED FOR USE WITH LINEAR TECHNOLOGY PARTS.

APPROVALS  
 PCB DES. RENE S.  
 APP ENG. NATHAN E.

		1638 McCarthy Blvd. Milpitas, CA 95035 Phone: (408) 432-1900 Fax: (408) 434-8587 www.linear.com		LTC CONFIDENTIAL FOR CUSTOMER USE ONLY
		TITLE: PROGRAMMING BOARD FOR SIX CHANNEL SUPERVISOR WITH EEPROM		
SIZE	IC NO.	LTC2933	REV:	1
B	DEMO CIRCUIT	2293		

SCALE = NONE

DATE: 10/21/2015 2:23:48 PM SHEET: 1/1